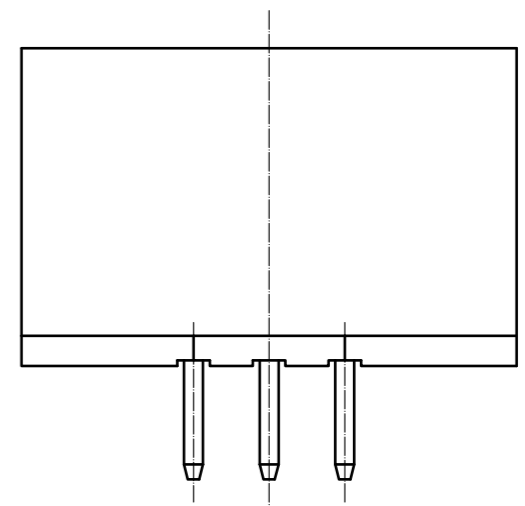
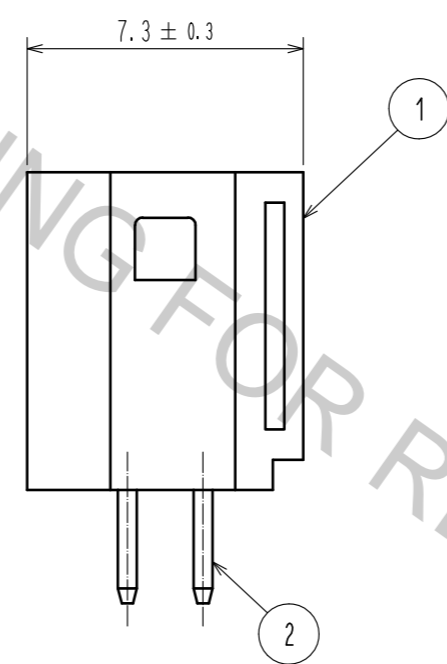
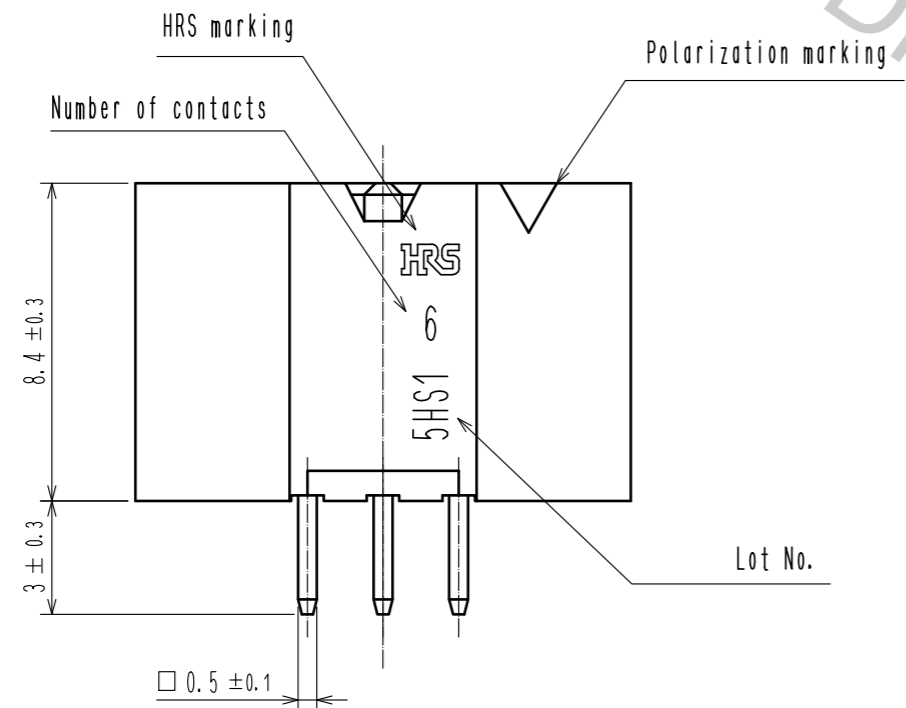
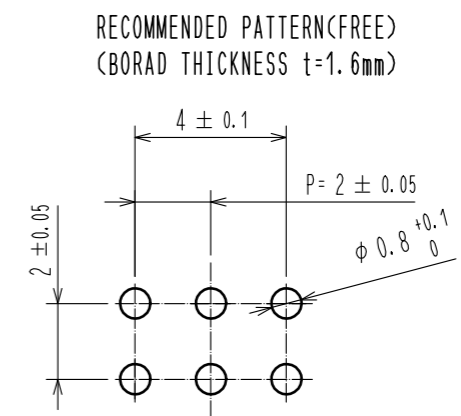
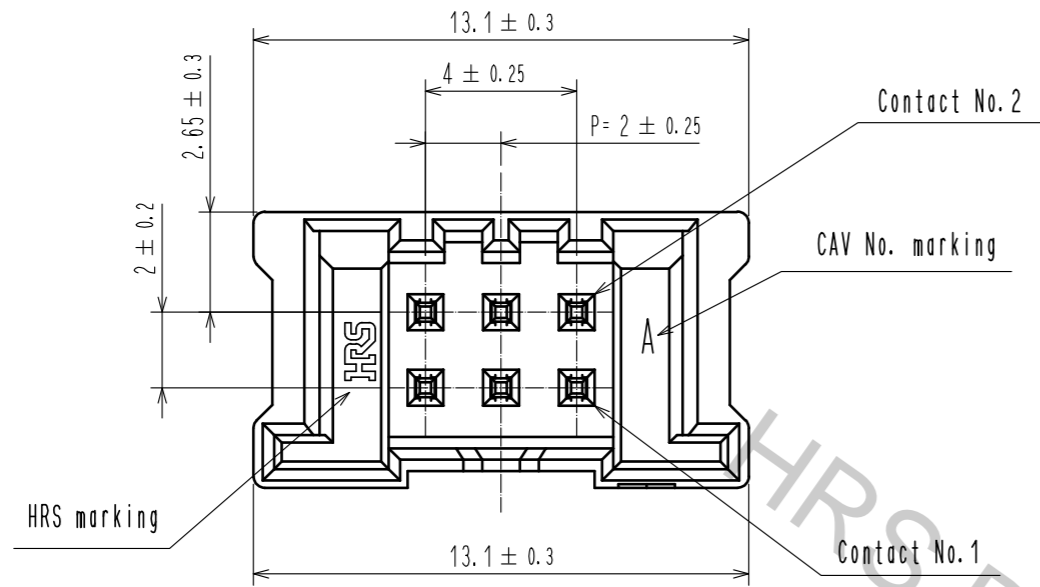
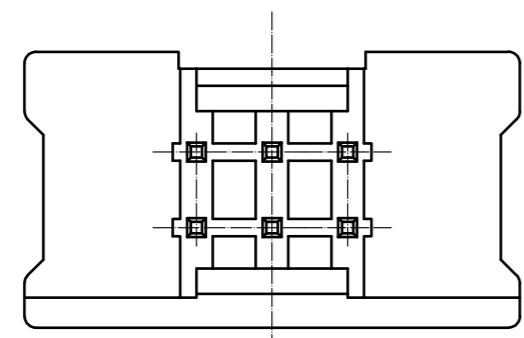
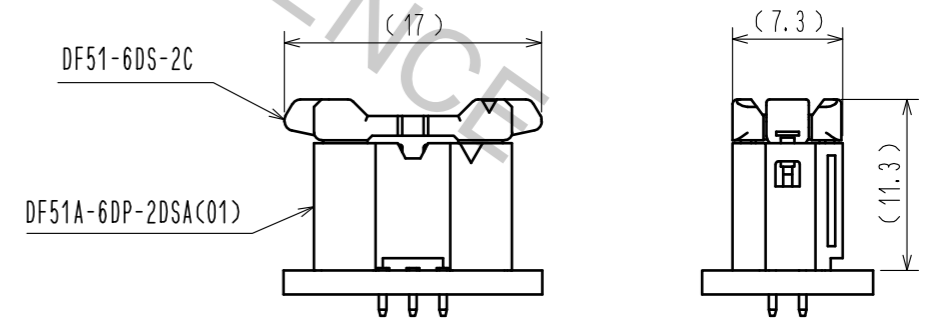


Aug.1.2018 Copyright 2018 HIROSE ELECTRIC CO., LTD. All Rights Reserved.  
 In case that the application demands a high level of reliability, such as automotive,  
 please contact a company representative for further information.



MATING FIGURE(2:1)



Note 1. Per pack : 100 Pieces.  
 2. The dimension parenthesis are for reference.

1	PBT	UL94V-0, BLACK	2	BRASS	SURFACE:AU PLATING 0.1μm MIN UNDER PLATING:NICKEL PLATING 0.5μm MIN		
NO.	MATERIAL	FINISH, REMARKS	NO.	MATERIAL	FINISH, REMARKS		
UNITS		SCALE	COUNT	DESCRIPTION OF REVISIONS	DESIGNED	CHECKED	DATE
mm		5 : 1					
HIROSE ELECTRIC CO., LTD.				APPROVED : HS. OKAWA	18.03.20	DRAWING NO. EDC-363504-01-00	
				CHECKED : ST. WADA	18.03.20	PART NO. DF51A-6DP-2DSA(C01)	
				DESIGNED : TH. SATO	18.03.20	CODE NO. CL543-5044-0-01	
				DRAWN : TH. SATO	18.03.20	1/1	