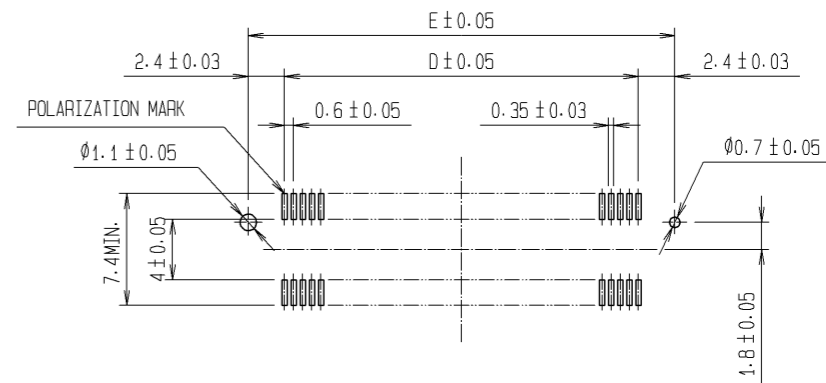


RECOMMENDED LAND PATTERN DIMENSION OF P.C.B. (MOUNTING SIDE)



DIMENSION TABLE OF CONNECTOR AND P.C.B. LAND PATTERN.

PART No.	CODE No.	5	A	B	C	D	E
FX8C-60S-SV(92)	CL578-0801-2-92	60	24.60	23.05	20.80	17.40	22.20
FX8C-80S-SV(92)	CL578-0803-8-92	80	30.60	29.05	26.80	23.40	28.20
FX8C-100S-SV(92)	CL578-0805-3-92	100	36.60	35.05	32.80	29.40	34.20
FX8C-120S-SV(92)	CL578-0806-6-92	120	42.60	41.05	38.80	35.40	40.20
FX8C-140S-SV(92)	CL578-0807-9-92	140	48.60	47.05	44.80	41.40	46.20

- NOTE 1. LEAD CO-PLANARITY SHALL BE 0.1mm MAX.
 2. EMBOSSED CARRIER TAPE PACKAGING SHALL BE APPLIED FOR THIS PRODUCT. SEE NEXT PAGE FOR DETAILS.
 3. FOR MODIFICATION, ETC., PREVENTIVE HOLE FOR SINK MARK MAY BE ADDED ACCORDING TO CIRCUMSTANCES.
 4. THE DIMENSIONS IN PARENTHESES ARE FOR REFERENCE.
 5 NUMBER OF CONTACTS.

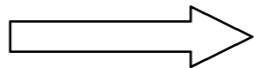
NO.	MATERIAL	FINISH . REMARKS	NO.	MATERIAL	FINISH . REMARKS
1	PPS	LIGHT BROWN (UL94V-0)	2	PHOSPHOR BRONZE	CONTACT AREA:GOLD 0.1μm min. LEAD AREA:GOLD FLASH UNDER PLATING:NICKEL 0.5μm min.
4	POLYESTER	(TOP COVER TAPE)	3	PS	(EMBOSSED CARRIER TAPE)

UNITS	SCALE	COUNT	DESCRIPTION OF REVISIONS	DESIGNED	CHECKED	DATE
mm	FREE	1	DIS-F-006425	CR. TAKESHIMA	HT. YAMAGUCHI	12. 10. 15

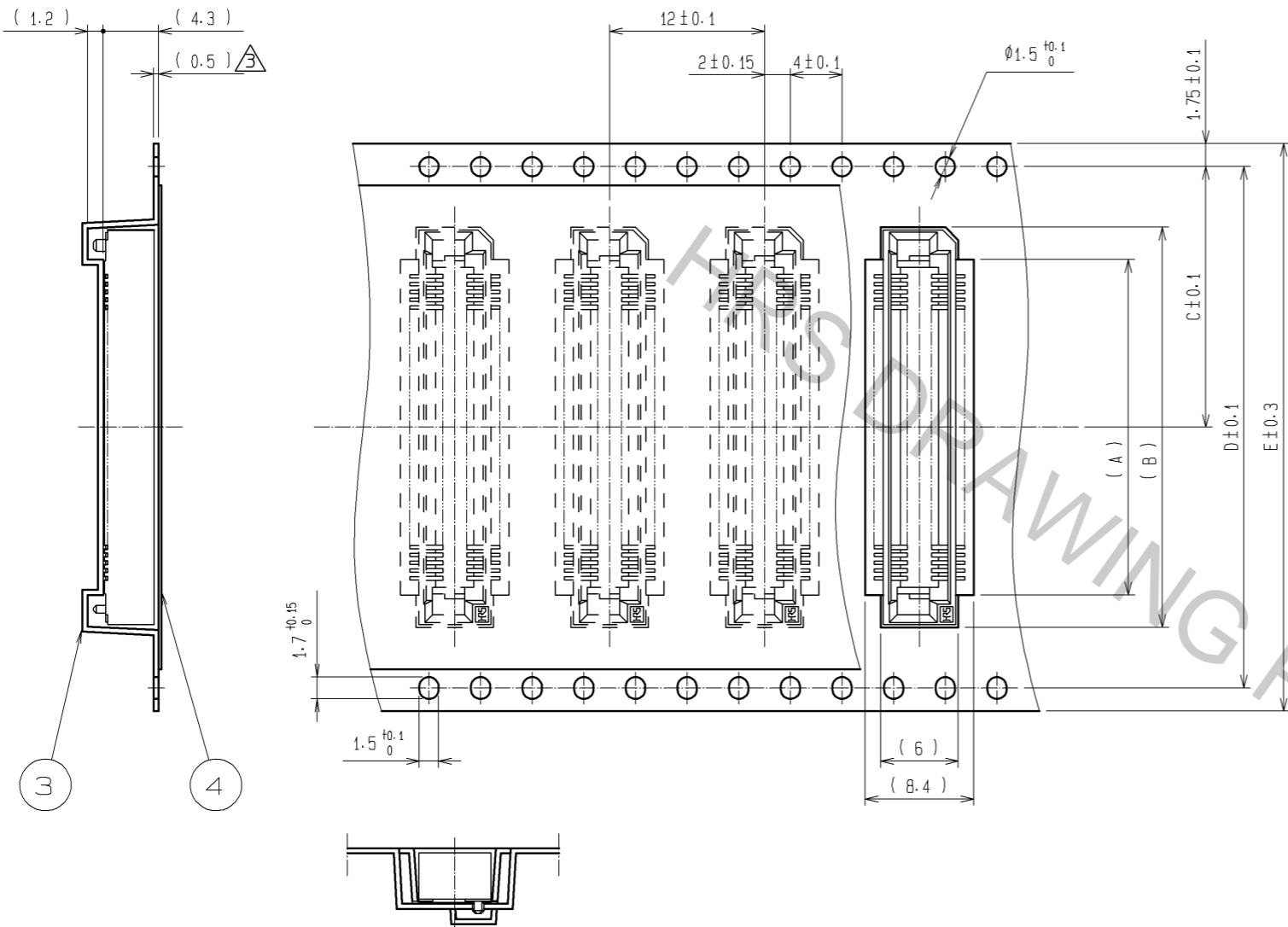
APPROVED	DATE	DRAWING NO.
:KJ. KATAYOSE	05. 01. 05	EDC3-151022-22
CHECKED	DATE	PART NO.
:HS. OKAWA	05. 01. 05	FX8C-*S-SV(92)
DESIGNED	DATE	CODE NO.
:KT. DOI	05. 01. 05	
DRAWN	DATE	
:KT. DOI	05. 01. 05	

DRAWING FOR PACKING (2:1)

UNREELING DIRECTION



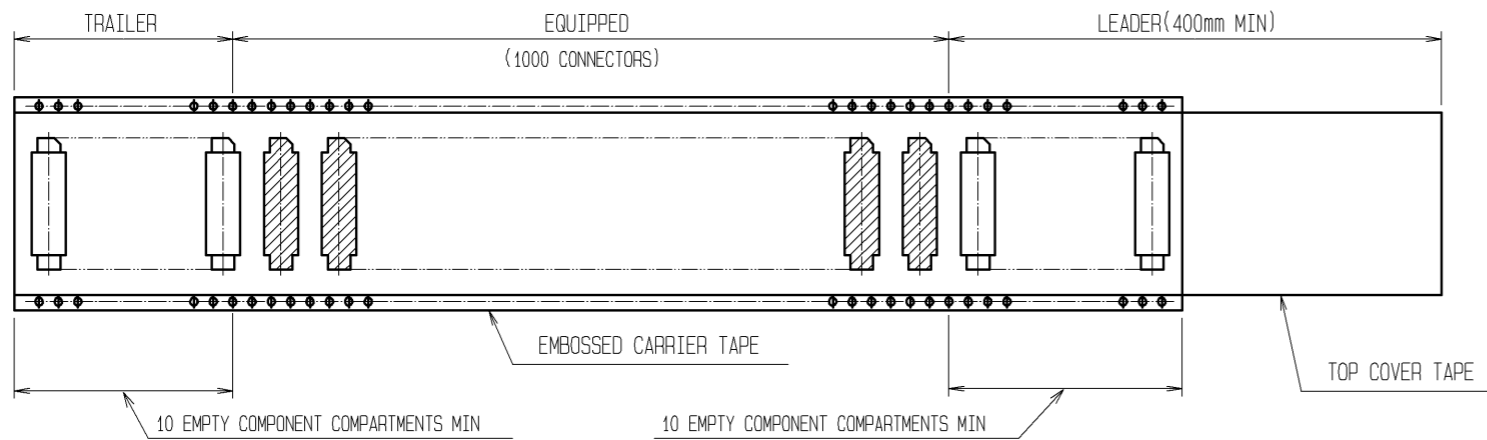
REEL DIMENSION



1 DIMENSION TABLE OF EMBOSSED CARRIER TAPE AND REEL.

PART No.	CODE No.	2	A	B	C	D	E	F
FX8C-60S-SV(92)	CL578-0801-2-92	60	20	25	20.2	40.4	44	44.4
FX8C-80S-SV(92)	CL578-0803-8-92	80	26	31	20.2	40.4	44	44.4
FX8C-100S-SV(92)	CL578-0805-3-92	100	32	37	26.2	52.4	56	56.4
FX8C-120S-SV(92)	CL578-0806-6-92	120	38	43	26.2	52.4	56	56.4
FX8C-140S-SV(92)	CL578-0807-9-92	140	44	49	34.2	68.4	72	72.4

NOTE 1 1 REEL : 1000 CONNECTORS
 2 NUMBER OF CONTACTS



HRS	DRAWING NO.	EDC3-151022-22
	PART NO.	FX8C-*S-SV(92)
	CODE NO.	