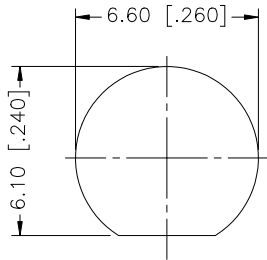
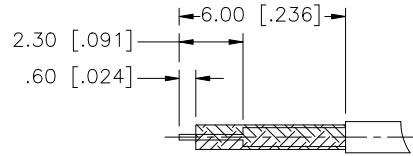


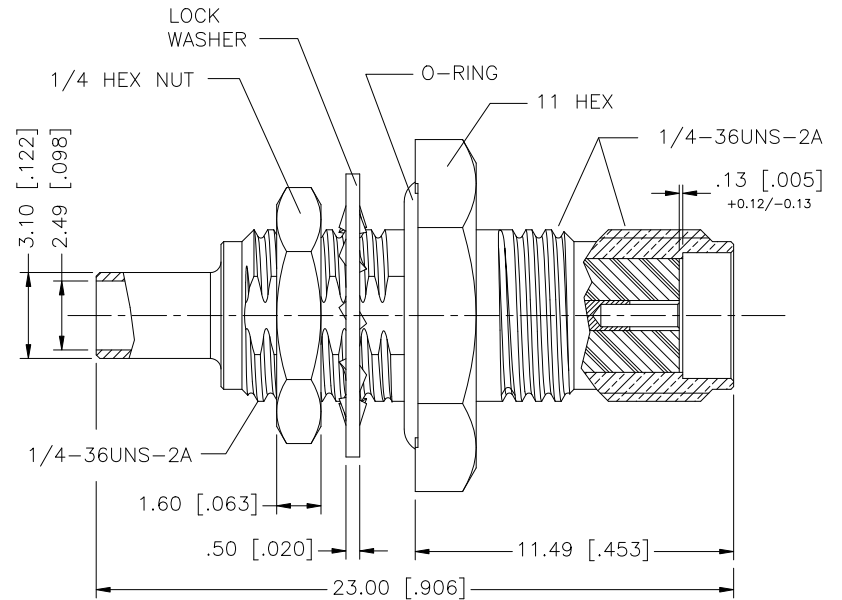
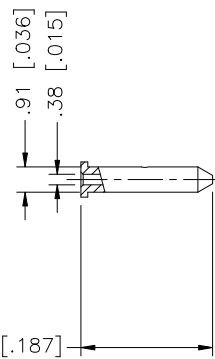
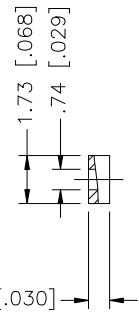
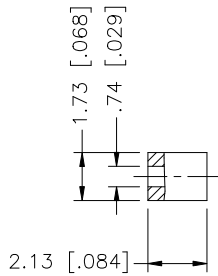
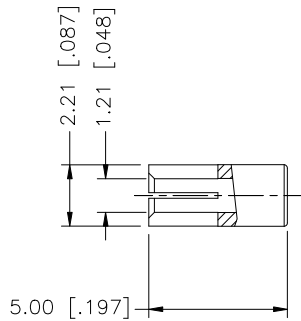
REV.	DATE	ECR NO.	DESCRIPTION
NC	03/30/09	-	INITIAL RELEASE



RECOMMENDED MOUNTING HOLE



RECOMMENDED CABLE STRIPPING DIMENSIONS



NOTES:

1. SEALED TO IP67.
2. CRIMPED FERRULE HEX CRIMP SIZE .105" [2.67]
3. CONTACT PIN TO SOLDER.
4. MAX. PANEL THICKNESS = 2.3mm

9	FERRULE	BRASS	NICKEL	1	<small>UNLESS OTHERWISE SPECIFIED DIMENSIONS ARE IN MILLIMETERS. DIMENSIONS IN [] ARE IN INCHES AND FOR CUSTOMER REFERENCE ONLY.</small> <small>UNLESS OTHERWISE SPECIFIED TOLERANCES FOR MILLIMETERS ARE: 0.5 - 8mm ± 0.20mm 8 - 30mm ± 0.40mm 30 - 120mm ± 0.50mm</small> <small>UNLESS OTHERWISE SPECIFIED TOLERANCES FOR INCHES ARE: .020 - .315 = ± 0.007" .315 - 1.180 = ± 0.015" 1.180 - 4.724 = ± 0.020"</small>	APPROVALS	DATE	<h1 style="color: blue;">Amphenol Connex</h1>					
8	SLEEVE	BRASS	NICKEL	1		DRAWN	GRS					03/30/09	
7	HEX NUT	BRASS	NICKEL	1		CHECKED			PART DESCRIPTION SMA JACK, BULKHEAD FRONT MOUNT SEALED (FOR 1.13mm CABLE)				
6	LOCK WASHER	BRASS	NICKEL	1		ISSUED							
5	O-RING	SILICONE	RED	1		SHEET	1 OF 1		PART NO. 132397				
4	CONTACT PIN	BER. COPPER	GOLD	1		CAD FILE	C:/132/132397.DWG						
3	CONTACT PIN	BRASS	GOLD	1		DWG. NO.	132397.DWG	REV.	NC	SIZE	A	SCALE	NA
2	INSULATOR	PTFE	NATURAL	1									
1	BODY	BRASS	NICKEL	1									
	DESCRIPTION	MATERIAL	FINISH	QTY		DO NOT SCALE DRAWING							