

PART NAME: KNOB

SCALE: 1:1

DATE: 5/16/86

DR. BY HD

THIS DRAWING IS THE PROPERTY OF DAVIES MOLDING COMPANY, IS SUBMITTED SOLELY AS A DESIGN OR ENGINEERING PROJECT. WE ACCEPT NO RESPONSIBILITY WHATSOEVER FOR THE PRACTICAL APPLICATION OF THE PIECES MADE TO THIS DESIGN.



DESIGNERS & MANUFACTURERS OF KNOBS, HANDLES, CASES & CUSTOM PLASTIC COMPONENTS

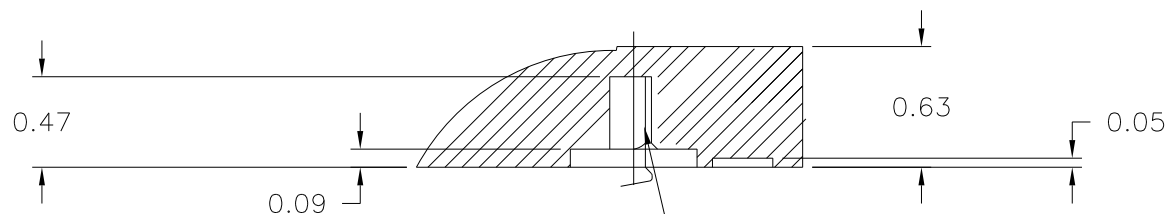
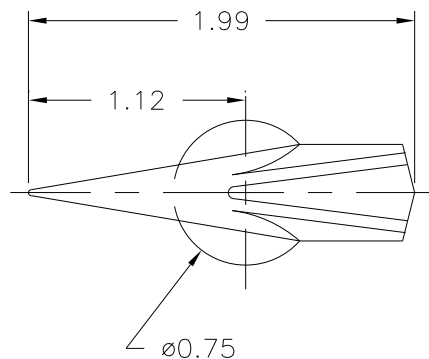
P/N 2350AE

BASE PART 2350-03

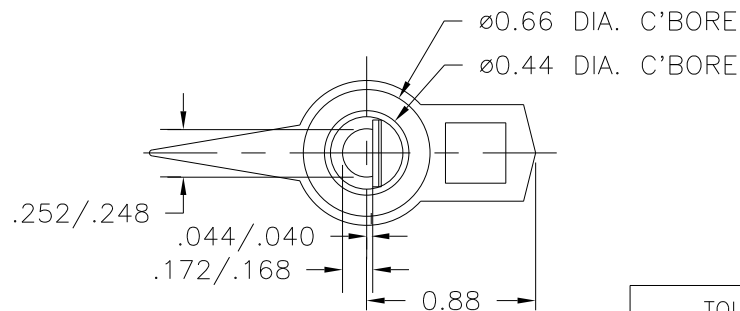
SPRING 11385

S.O.# 15542

CAD/REDRAWN : 7/25/94 : HD (A)



"D" SPRING I-1385 TO FIT (LECTRA PRODUCTS SPRING P/N # 5800)
 STD. 1/4 DIA. SHAFT FLATTED TO 5/32



MATERIAL: #4311 PLENCO PHENOLIC
 COLOR: BLACK

| | | | | |
|---|----------------------------------|---------|--------------------|------------|
| TOLERANCES: UNLESS OTHERWISE SPECIFIED | DO NOT SCALE DRAWING | | | |
| DECIMALS: X.XXX ± .005 X.XX ± .015 | MM: X.XX ± 0.15MM X.X ± 0.4MM | A | ADDED BASE PART | JAM 4/2/14 |
| FRACTIONS ± 1/64 | ANG. ± 1° | CHANGES | | |