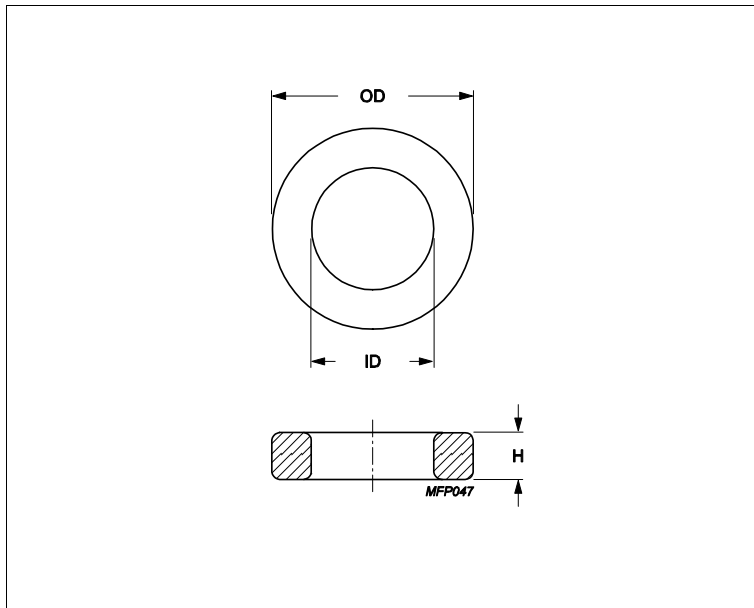


## Core **Toroid 29/19/7.6**



| Effective parameters |                  |       |                  |
|----------------------|------------------|-------|------------------|
|                      | Parameter        | Value | Unit             |
| $\Sigma(I/A)$        | core factor (C1) | 2.06  | mm <sup>-1</sup> |
| <b>Ve</b>            | effective volume | 2600  | mm <sup>3</sup>  |
| <b>Le</b>            | effective length | 73.2  | mm               |
| <b>Ae</b>            | effective area   | 35.5  | mm <sup>2</sup>  |
| <b>m</b>             | mass of core     | ≈ 13  | g/pcs            |

Epoxy coating DC isolation voltage 2000.

Maximum operating temperature of the coating is 200°C.

### Dimensions (mm)

| Cores              | OD        | ID        | H        |              |
|--------------------|-----------|-----------|----------|--------------|
| <b>TX29/19/7.6</b> | 29.95 max | 18.15 min | 8.35 max | Epoxy Coated |

### Core data

| Cores              | Material     | AI (nH/turns <sup>2</sup> ) | AI tolerance | $\mu\epsilon$ |
|--------------------|--------------|-----------------------------|--------------|---------------|
| <b>TX29/19/7.6</b> | 3C94         | 1480                        | ± 25%        | ≈ 2300        |
| <b>TX29/19/7.6</b> | 3E10         | 6440                        | ± 20%        | ≈ 10000       |
| <b>TX29/19/7.6</b> | 3E12         | 7730                        | ± 30%        | ≈ 12000       |
| <b>TX29/19/7.6</b> | 3E27         | 3540                        | ± 25%        | ≈ 5500        |
| <b>TX29/19/7.6</b> | 3E6 (3E10-M) | 6440                        | ± 30%        | ≈ 10000       |
| <b>TX29/19/7.6</b> | 3E65         | 3350                        | ± 25%        | ≈ 5200        |