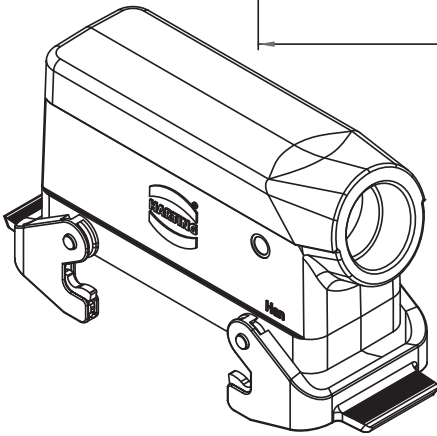
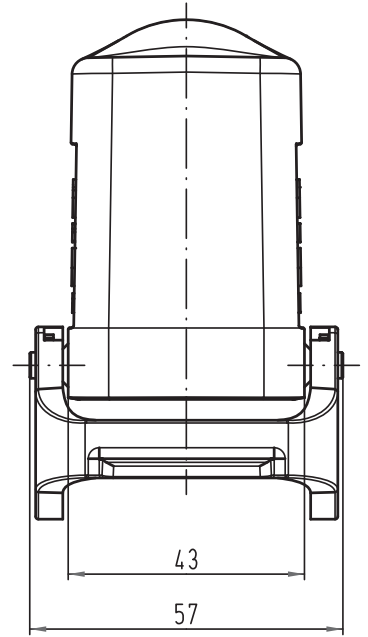
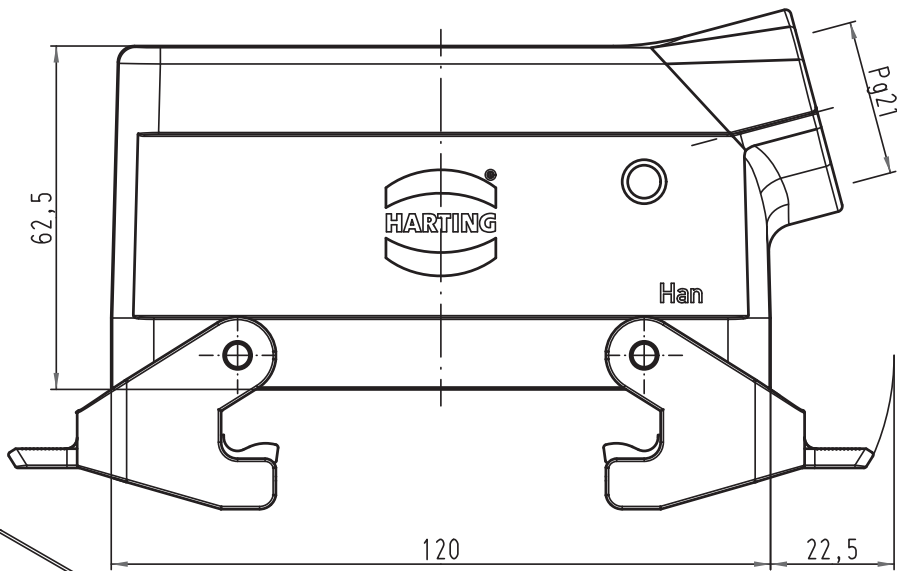


Alle Rechte vorbehalten/ All rights reserved



| | | | | | | | |
|---|------|-------------------|---|--------------|---|--|--|
| All Dimensions in mm Original Size DIN A 4 | | Techn. Character. | | | Nicht tolerierte Maß/Free size tolerances | | |
| | | | Dat. | Name | Maßstab/Scale 1:1 | Han 10HvE-gs-QB-21 Tüllengehäuse hood | |
| | | | Detail. | 01.04.11 Spr | | | |
| | | | Insp. | Be | | | |
| | | | Stand. | | | | |
| A | | | HARTING Electric GmbH & Co. KG D-32339 Espelkamp | | | TB 09 34 010 0502 | Blatt/page Sub. TB 09 34 010 0502 v. 18.03.03 |
| Mod. | Dat. | Name | | | | | |