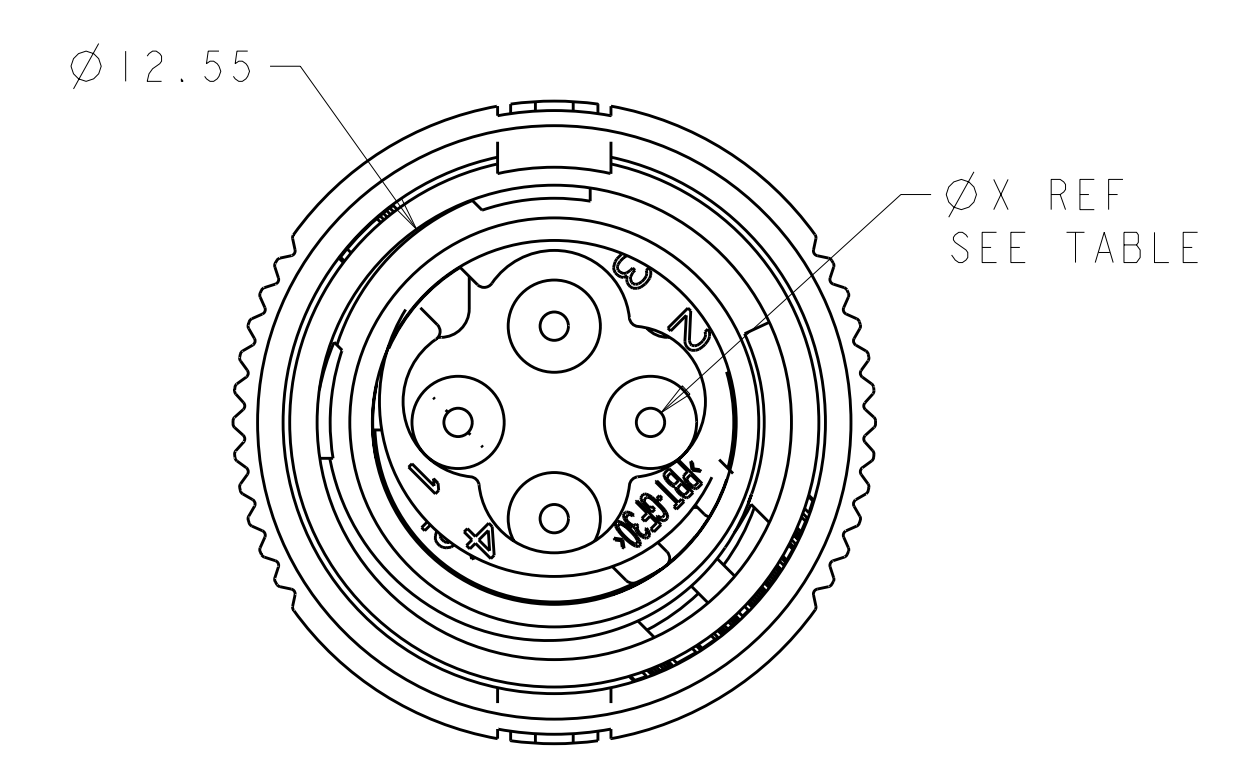
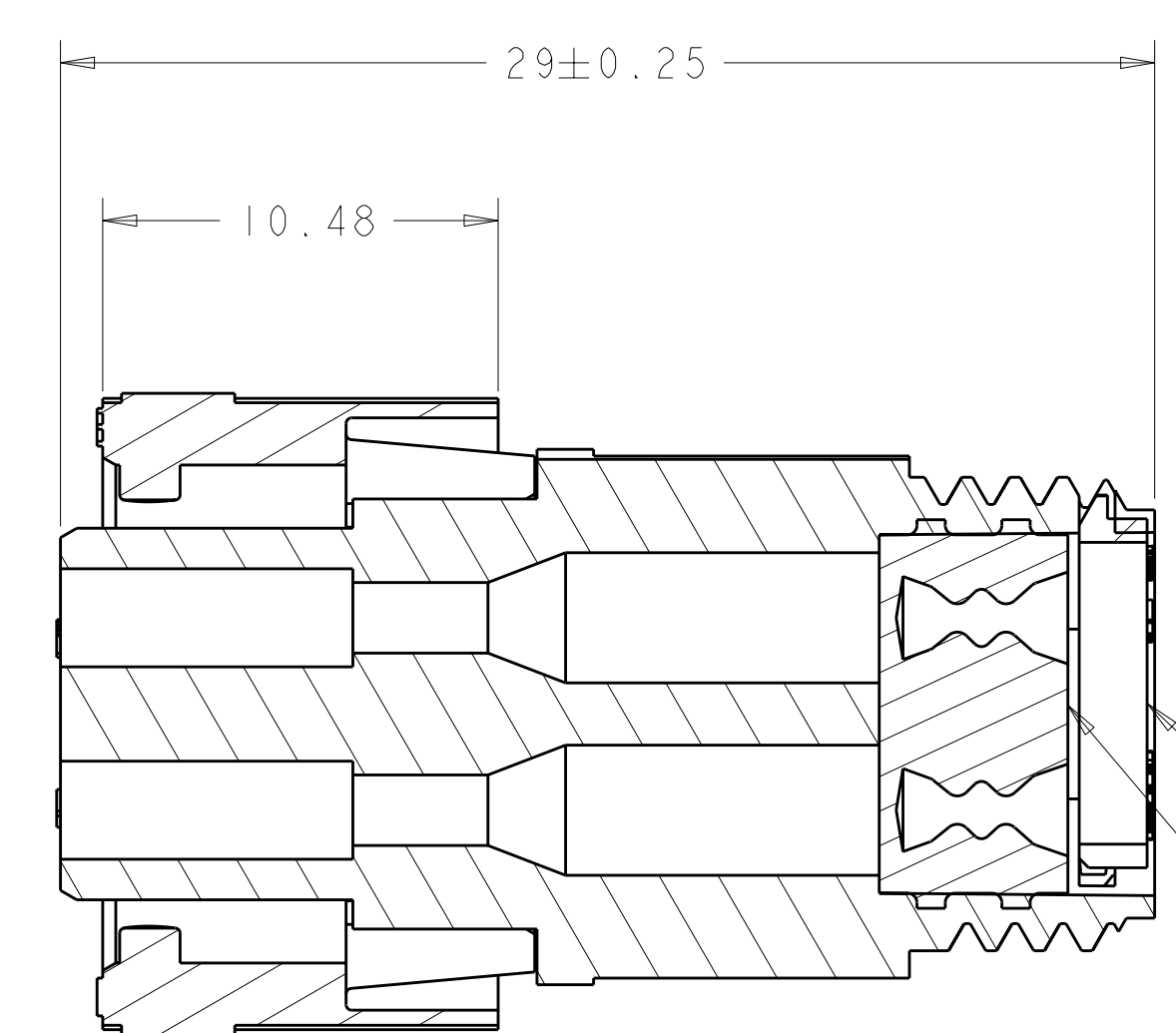
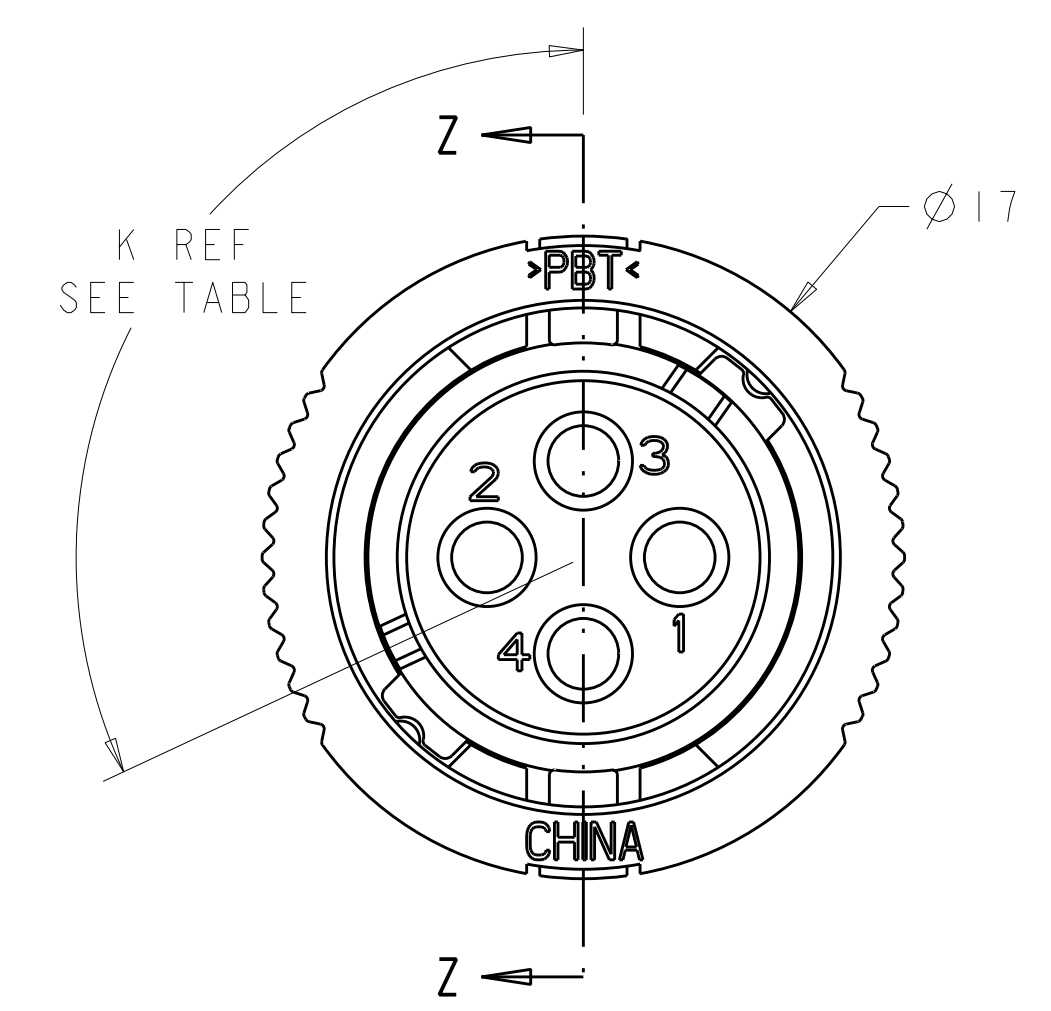
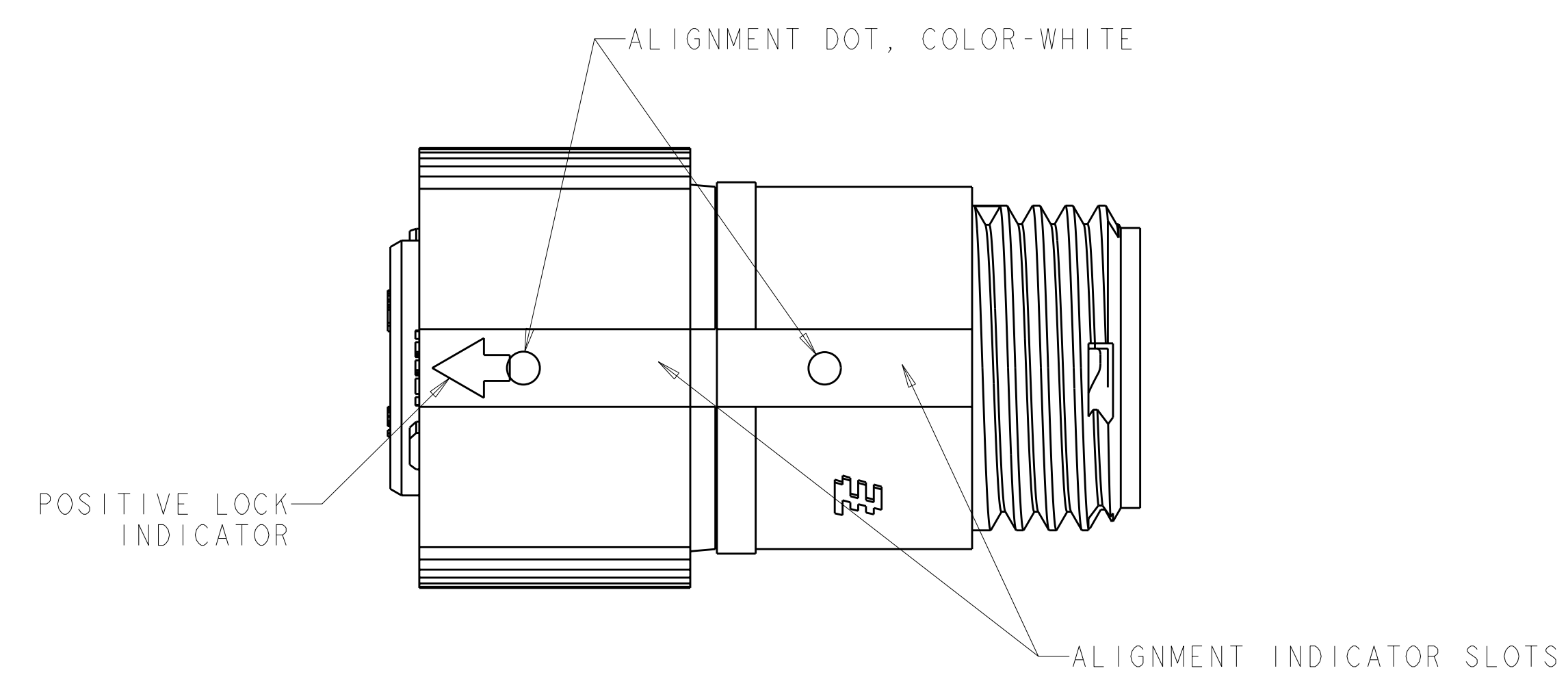
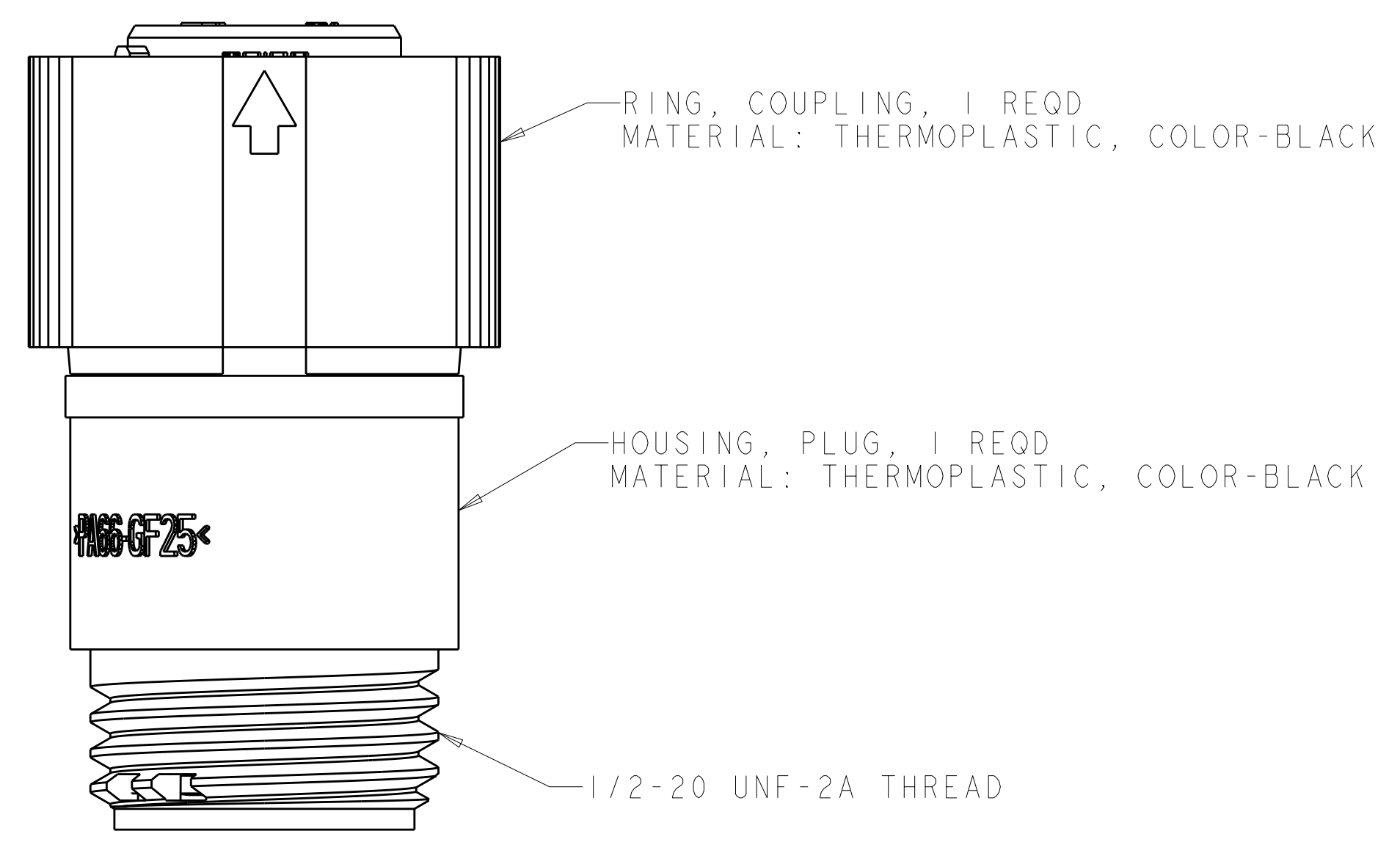


LOC	DIST	REVISIONS			
REV	DATE	DESCRIPTION	DATE	DWN	APVD
B2	12MAR2011	REVISED PER ECO-11-004917		RK	HMR



RETAINER, SEAL, 1 REQD
 MATERIAL: THERMOPLASTIC, COLOR-BLACK

SEAL, WIRE ENTRY, 1 REQD
 MATERIAL: ELASTOMER, COLOR-SEE TABLE



QUALIFICATION TEST PENDING

YELLOW	Ø0.75	130°	1445390-04
NATURAL	Ø1.5	115°	1445390-03
NATURAL	Ø1.5	130°	1445390-02
YELLOW	Ø0.75	115°	1445390-01
SEAL, WIRE ENTRY COLOR	ØX REF	K REF	PART NUMBER

THIS DRAWING IS A CONTROLLED DOCUMENT.		DWN: S. DOUTY 01MAR2001	TE Connectivity	
DIMENSIONS: mm		CHK: H. WAKEEM 12JUN2003	NAME: ASSEMBLY, PLUG, SIZE 8 4 POSITION, SEALED, MINI CPC	
TOLERANCES UNLESS OTHERWISE SPECIFIED:		APVD: H. WAKEEM 12JUN2003	PRODUCT SPEC: -	
0 PLC ±		APPLICATION SPEC: -	SIZE: CAGE CODE: DRAWING NO: A100779C=1445390	
1 PLC ±		RESTRICTED TO: -	SCALE: 5:1 SHEET 1 OF 1 REV: B2	
2 PLC ±0.13		CUSTOMER DRAWING		
3 PLC ±				
4 PLC ±				
ANGLES ±				
FINISH: SEE CALLOUT				