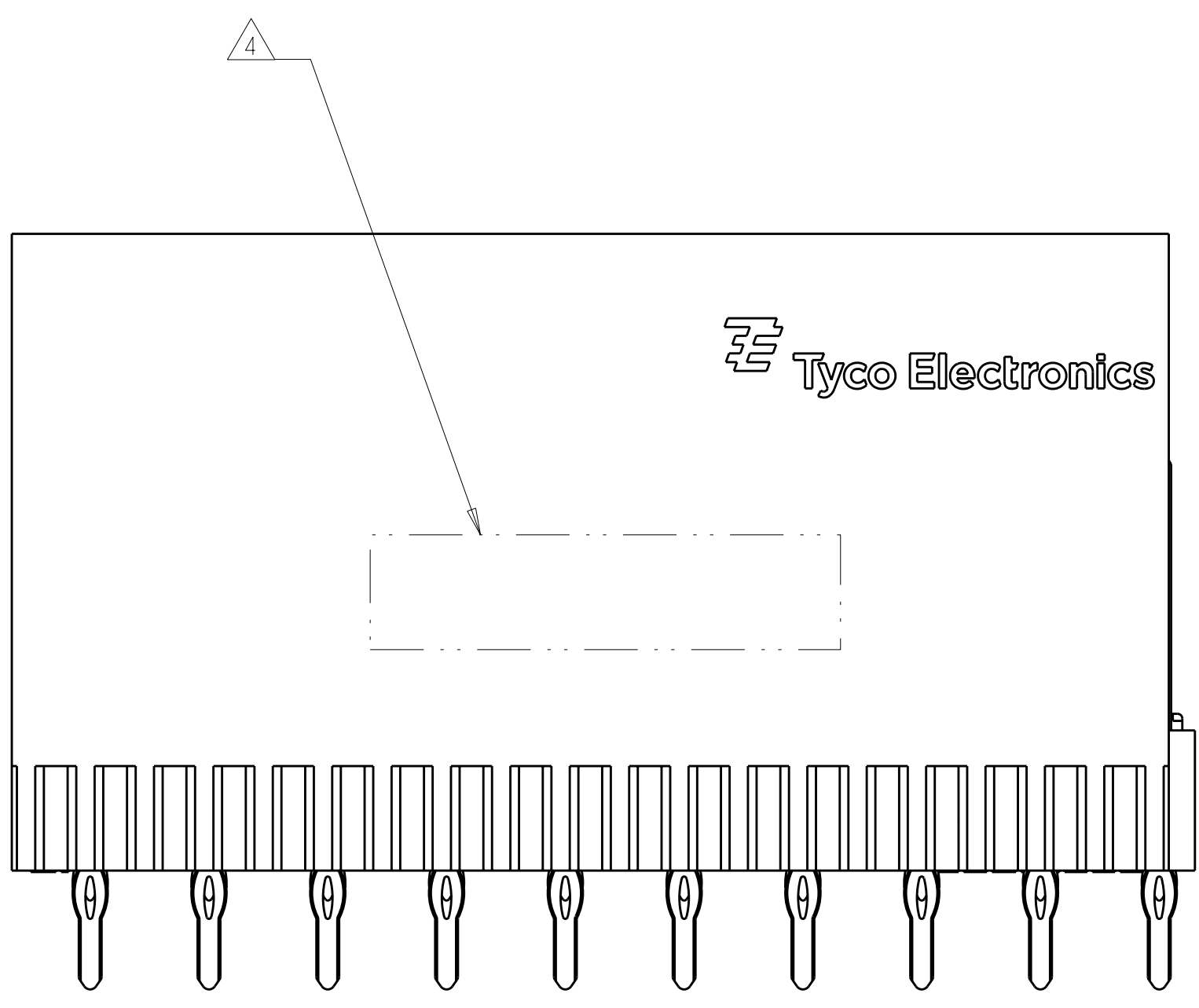
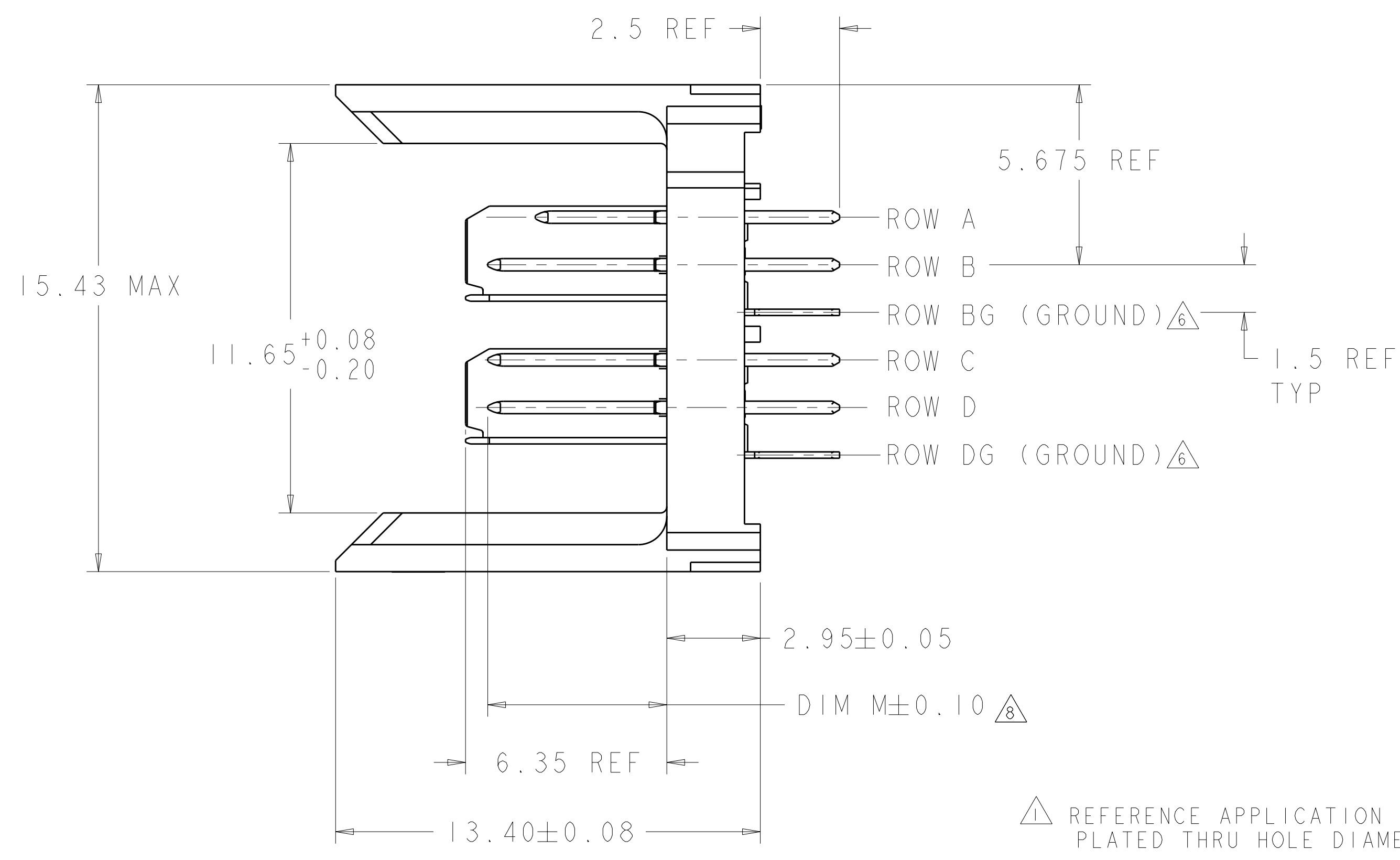
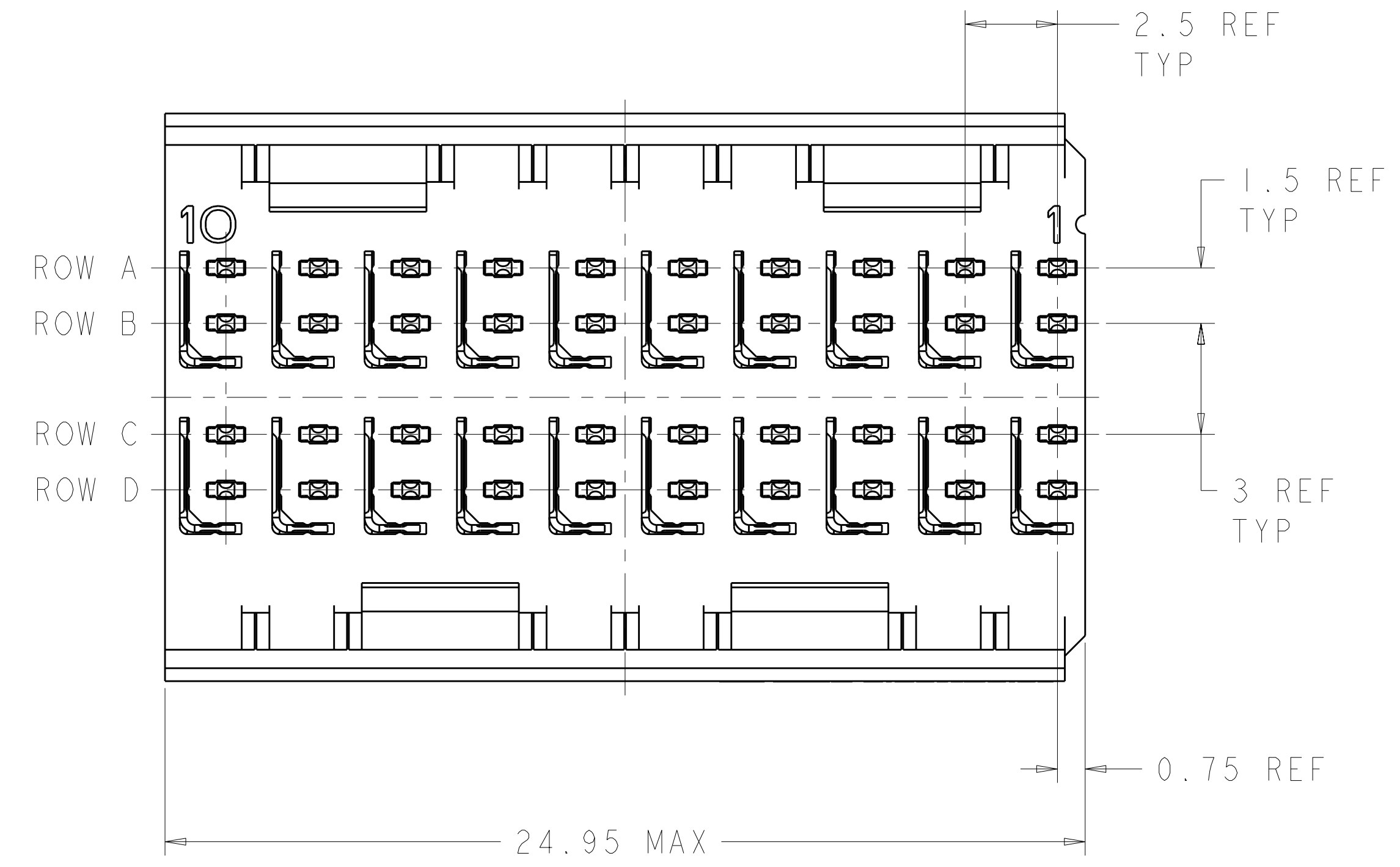
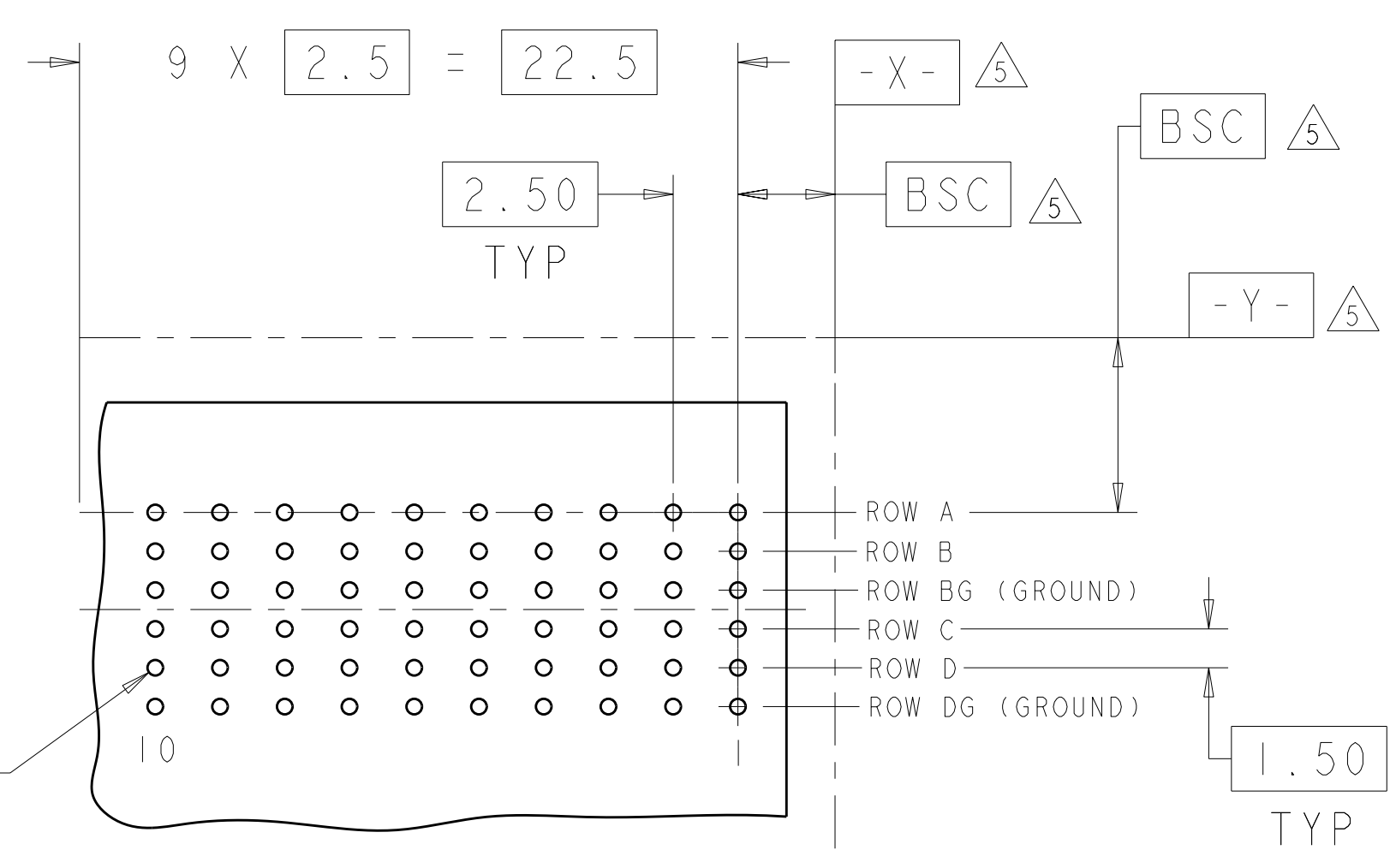


LOC	DIST	REVISIONS					
AD	00	P	LTN	DESCRIPTION	DATE	DWN	APVD
		D		REV PER ECO-11-007577	13APR2011	RKC	JE
		D1		REV PER ECO-11-007577 CORRECTION	29APR2011	-	JE
		E		REV PER ECO-11-012032	13JUN2011	RG	JE



- △ REFERENCE APPLICATION SPEC 114-13059 FOR RECOMMENDED PLATED THRU HOLE DIAMETER AND PLATING THICKNESSES.
- △ MATERIAL:  
CONTACT AND SHIELD - PHOSPHOR BRONZE  
HOUSING - GLASS FILLED POLYESTER. UL 94V-0.
- △ FINISH: CONTACT AND SHIELD  
MATING AREA - 1.27µm MIN GOLD OVER 1.27µm MIN NICKEL  
COMPLIANT PIN AREA - 0.5µm MIN TIN OVER 1.27µm MIN NICKEL
- △ CONNECTOR MARKED WITH PART NUMBER AND DATE CODE.
- △ DATUMS AND BASIC DIMENSIONS ESTABLISHED BY CUSTOMER.
- △ THE TWO GROUNDS IN EACH COLUMN ARE COMMONED.
- 7. CONTACT AREA LUBRICATED WITH BELLCORE APPROVED LUBRICANT. TECHNICAL REFERENCE: GR-1217-CORE, ISSUE 1, NOVEMBER 1995.
- △ REFER TO "CONTACT LAYOUT" CHART FOR SEQUENCING.



⊕ ∅0.05 X Y  
 ALL PLATED THRU HOLES

RECOMMENDED PC BOARD LAYOUT, BACKPLANE, COMPONENT SIDE SHOWN  
 SCALE 4:1

CONTACT LAYOUT	
A	= 3.80mm (DIM M)
B	= 5.30mm (DIM M)
G	= GROUND
COLUMNS	
ROWS	10 9 8 7 6 5 4 3 2 1
A	B B B A B B B A B
B	B B B A B B B A B
BG	G G G G G G G G G
C	B B B B B B B B B
D	B B B B B B B B B
DG	G G G G G G G G G

1645525-1  
 PART NUMBER

THIS DRAWING IS A CONTROLLED DOCUMENT.		DWN: HUMBERT 30 JUL 2009	TE Connectivity
DIMENSIONS: mm		CHK: A. DAVILSON 30 JUL 2009	
TOLERANCES UNLESS OTHERWISE SPECIFIED:		APVD: A. DAVILSON 30 JUL 2009	NAME: HEADER ASSEMBLY, 2 PAIR, SELECTIVELY LOADED, 2.5mm TAIL, 25mm, HMzd
9 PLC ±		PRODUCT SPEC	SIZE: CAGE CODE DRAWING NO. RESTRICTED TO
1 PLC ±		APPLICATION SPEC	A100779C=1645525
2 PLC ±		WEIGHT	SCALE 8:1 SHEET 1 OF 1 REV E
3 PLC ±		CUSTOMER DRAWING	
4 PLC ±			
ANGLES ±			
FINISH			