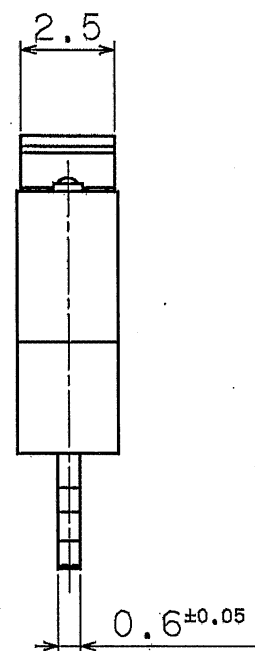
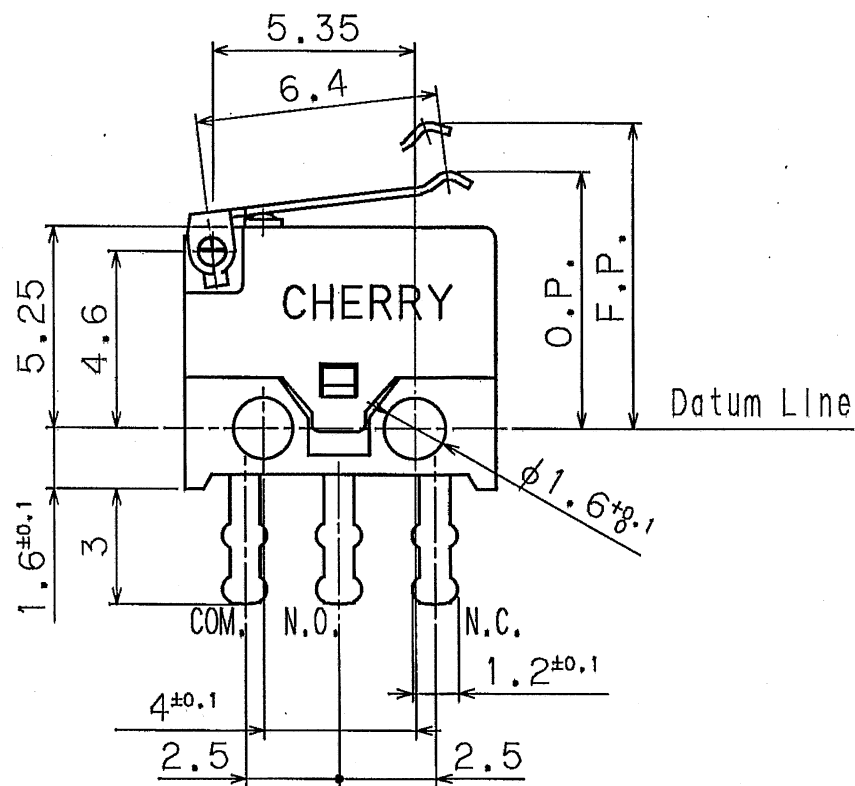
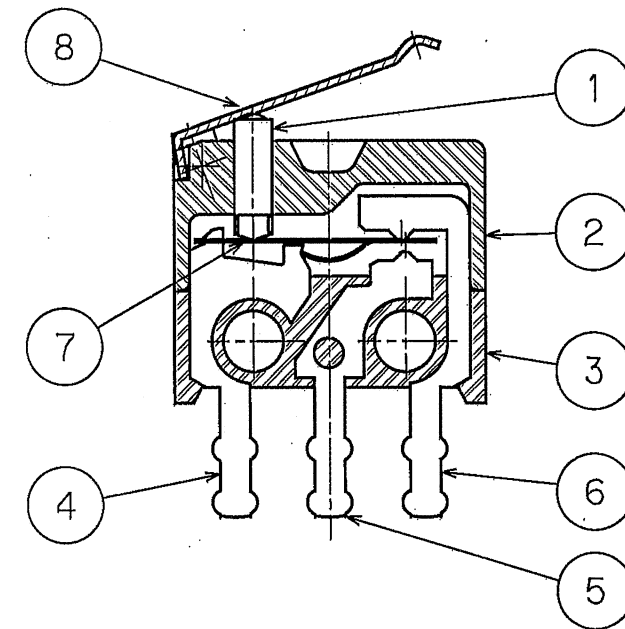


LOT No.
REF:01 3 A
A: MON.~WED.
B: THU.~SAT.
'03 year
1 week



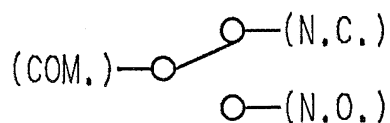
NO.	NAME	MATERIAL	Qty
1	BUTTON	PBT	1
2	COVER	PBT	1
3	BASE UNIT	PPS (COLOR: BLACK)	1
4	TERMINAL (COM.)	BRASS (NI+Au PLATED)	1
5	TERMINAL (N.O.)	BRASS (NI+Au PLATED)	1
6	TERMINAL (N.C.)	BRASS (NI+Au PLATED)	1
7	BLADE	STAINLESS (NI+Au PLATED)	1
8	ACTUATOR	STAINLESS	1



CONSTRUCTION



CIRCUITRY



Note.1. Tolerance; unless otherwise specified ±0.2mm

REVISION	DATE	BY	CHKD	APP	REMARKS
ECN-64656	21 Oct, '03		H. Hagiwara	J. Mizoguchi	
EDITION 1 FIXED	21 Oct, '03				
REVISION	DATE	BY	DATE		

SCALE: NON UNITS: mm PROJ.: 3RD

HIROSE CHERRY

DIVISION: GEOO

Title: Micro Switch Part No.: DH4C-B1LA DWG No.: 305410