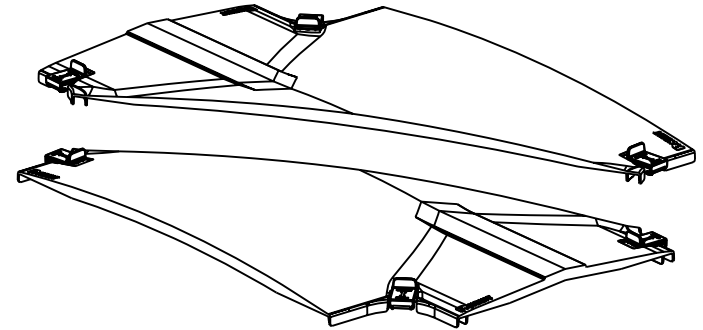
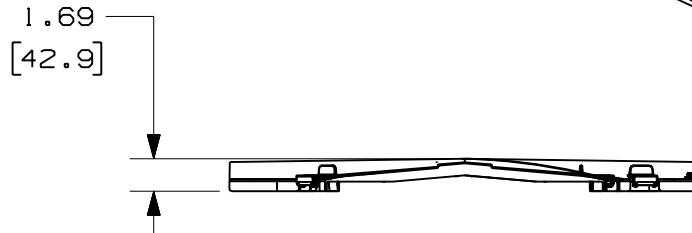
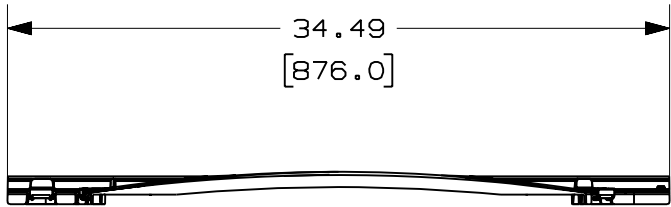
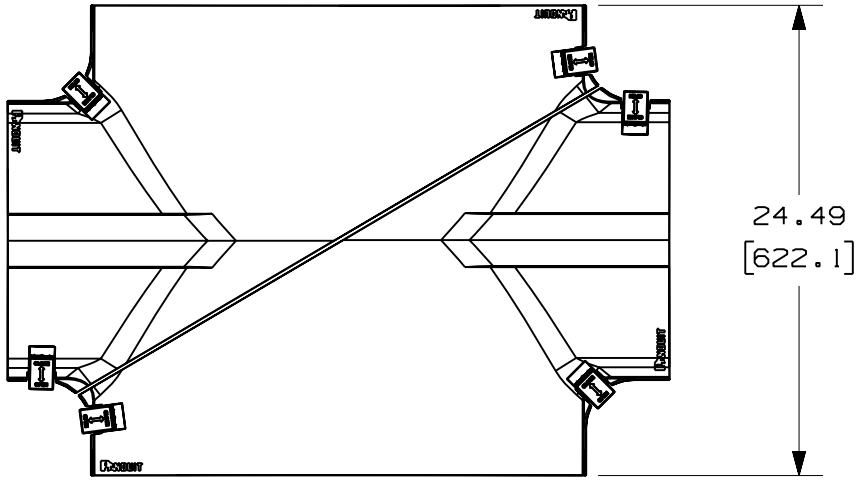


THIS COPY IS PROVIDED ON A RESTRICTED BASIS AND IS NOT TO BE USED IN ANY WAY DETRIMENTAL TO THE INTERESTS OF PANDUIT CORP.

PANDUIT PART NUMBER	WEIGHT
FRFWCCV24W12	5.26 LB/EACH (2386g/EACH)

NOTES:

- SEE CURRENT CATALOG FOR ADDITIONAL PART SUFFIXES TO INDICATE COLOR AND/OR PACKAGE QUANTITY.
- DIMENSIONS IN PARENTHESES ARE IN METRIC.



ENG. REF.: D39701ED_DC/00 FRFWCCV24W12.prt

CAD FILENAME/LAYERS: FRFWCCV24W12.pdf

PANDUIT CORP TINLEY PARK, ILLINOIS
FIBERRUNNER 24x4 FOUR-WAY CROSS WITH 12" EXITS COVER (FRFWCCV24W12)
 CUSTOMER DRAWING

UNLESS OTHERWISE SPECIFIED, DIMENSIONAL TOLERANCES ARE:
 (.X) ± (.XXX) ±
 (.XX) ± .03 (.8) ANGLES ±

UNLESS OTHERWISE SPECIFIED, ALL DIMENSIONS ARE GIVEN IN INCHES, THIRD ANGLE PROJECTION.

DRAWN BY: MSO	MAT'L: ABS	SCALE: NONE
DATE: 7-9-09		DRAWING NO.: 39701-71
CHK'D: SL		DWG SIZE: A

REV	DATE	BY	CHK	DESCRIPTION	ECN	R	CUST	SUP	GMBH
R	7-9-09	MSO	SL	RELEASED TO PRODUCTION	39701-71	RN	RN		