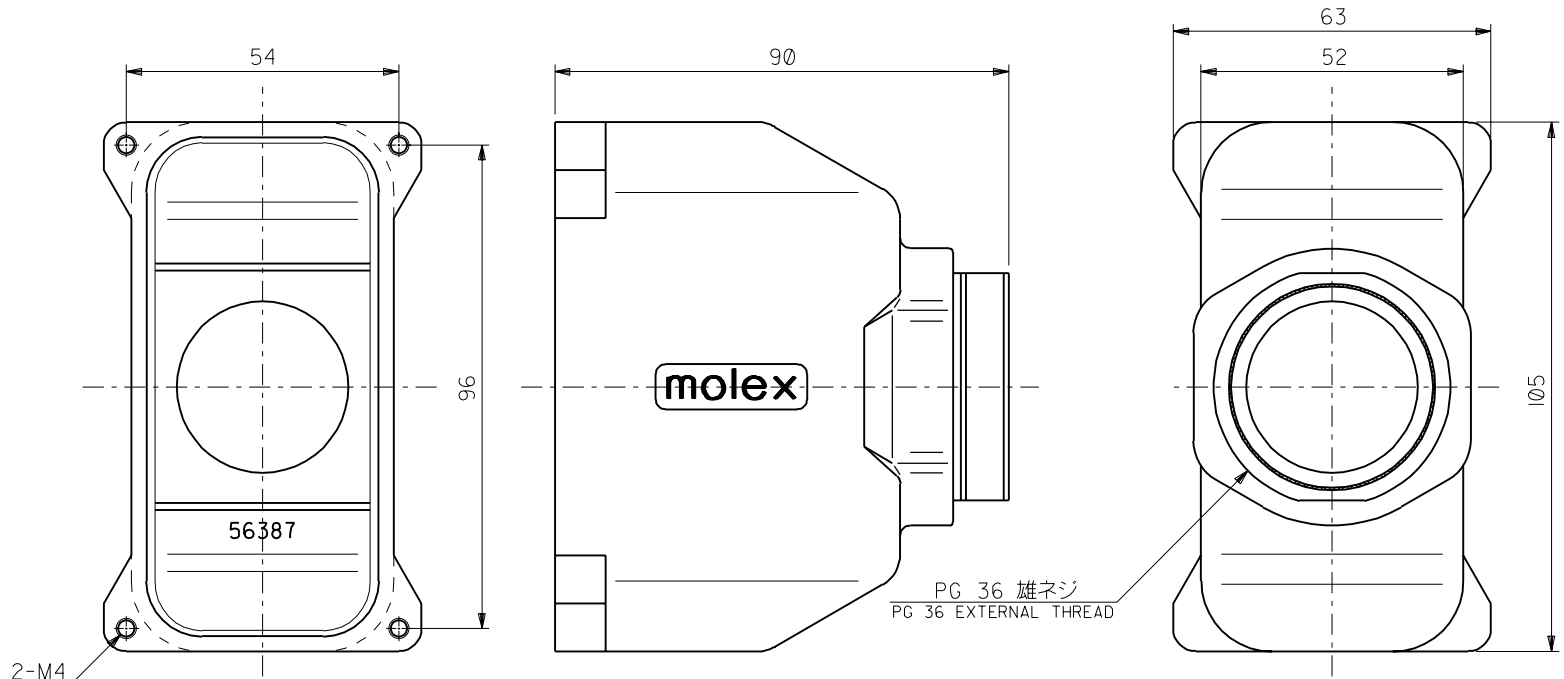


DWG. NO. SD-56387-002



- 注)
NOTES
- 適用リセプタクルシェルアッセンブリ : 58719-****0
APPLICABLE RECEPTACLE SHELL ASS'Y : 58719-****0
 - 適用エンドベルキャップセット : 58866-****
APPLICABLE END BELL CAP SET : 58866-****
 - 適用取り付けねじ (リセプタクルシェルアッセンブリ) : M4×10
APPLICABLE SCREW (RECEPTACLE SHELL ASS'Y) : M4×10

56387-0000	56387-0*00
MATERIAL No.	MODEL No.

DO NOT SCALE DRAWING	EC NO. DRWN: CHK: APPR:	EC NO. DRWN: CHK: APPR:	EC NO. DRWN: CHK: APPR:	EC NO. DRWN: CHK: APPR:	EC NO. DRWN: CHK: APPR:	RELEASED '01/01/22 EC NO. JD2001-0972 DRWN: S.AKIYAMA CHK: J.MIYAZAWA APPR: H.IKESUGI	DESCRIPTION	MATERIAL 材料	GENERAL TOLERANCES: (UNLESS SPECIFIED) 一般公差	SCALE 1-1	DESIGN UNITS mm INCH	THIRD ANGLE PROJECTION	DIMENSIONS: <input type="checkbox"/> mm <input type="checkbox"/> INCH <input checked="" type="checkbox"/> mm ONLY	SHT	REV
							FINISH 仕上げ		10 UNDER 未満	±0.2	DRAWN BY & DATE <i>S. Akiyama</i> '01/01/22	TITLE: POWER CONN. 48P W TO W TYPE COVER			
							WIRE RANGE 適用電線範囲		10 OVER 30 UNDER 以上 未満	±0.25	CHECKED BY & DATE <i>M. Masawa</i> '01/01/22				
							INS. RANGE 被覆外径		30 OVER 以上	±0.3	APPROVED BY & DATE <i>H. Masawa</i> '01/01/22	MOLEX INCORPORATED			
						0	REV	ANGLE 角度	±3°	CAD FILE NAME 56387002.S01	MATERIAL NO. SEE CHART	DRAWING NO. SD-56387-002	SHEET NO. 1 OF 1		
THIS DRAWING CONTAINS INFORMATION THAT IS PROPRIETARY TO MOLEX INCORPORATED AND SHOULD NOT BE USED WITHOUT WRITTEN PERMISSION.													SIZE B		