

TOLERANCE: ±0.05, THICKNESS: 2.3 mm
RECOMMENDED PCB LAYOUT

- NOTE:
- MATERIAL:
 HOUSING: LCP WITH 30% GF, UL 94V-0, BLACK COLOR.
 CONTACTS: PHOSPHOR BRONZE.
 BOARDLOCKS: BRASS.
 - FINISH:
 CONTACTS: (SEE TABLE) GOLD PLATED ON CONTACT AREA, 2.54µm [100µ"] MIN. MATTE-TIN ON SOLDER TAIL, WITH ENTIRE CONTACT UNDERPLATED 1.27µm [50µ"] MIN. NICKEL.
 BOARDLOCK: 2.54µm [100µ"] MIN. MATTE-TIN OVER 1.27µm [50µ"] MIN. NICKEL.
 - WAVE SOLDER CAPABLE TO 265°C PER **TE Connectivity** SPEC. 109-202, CONDITION B.

0.762µm [30µ"]	1775429-3
0.381µm [15µ"]	1775429-2
GOLD FLASH	1775429-1
MIN. GOLD THICKNESS	PART NUMBER

TOLERANCES UNLESS OTHERWISE SPECIFIED: 0 PLC ±- 1 PLC ±0.3 2 PLC ±0.25 3 PLC ±0.2 ANGLES ±3'	DWN A. WU 28-JUL-2006	
	CHK S. HOU 28-JUL-2006	
MATERIAL SEE NOTE	APVD W.J. KE 28-JUL-2006	NAME SERIAL ATA CONNECTOR, 22 POSN RCPT DIP VERTICAL
FINISH SEE NOTE	PRODUCT SPEC 108-57564	LOC DW
	QUALIFICATION TEST REPORT 501-57654	SIZE A ₃
	WEIGHT 1.5 GRAMS	DRAWING NO C-1775429
		REV A1
		SCALE --
		SHEET 1 OF 2

A1	REVISED PER ECO-11-005301	RK HMR	5APR11
LTR	REVISION RECORD	DWN CHK	DATE

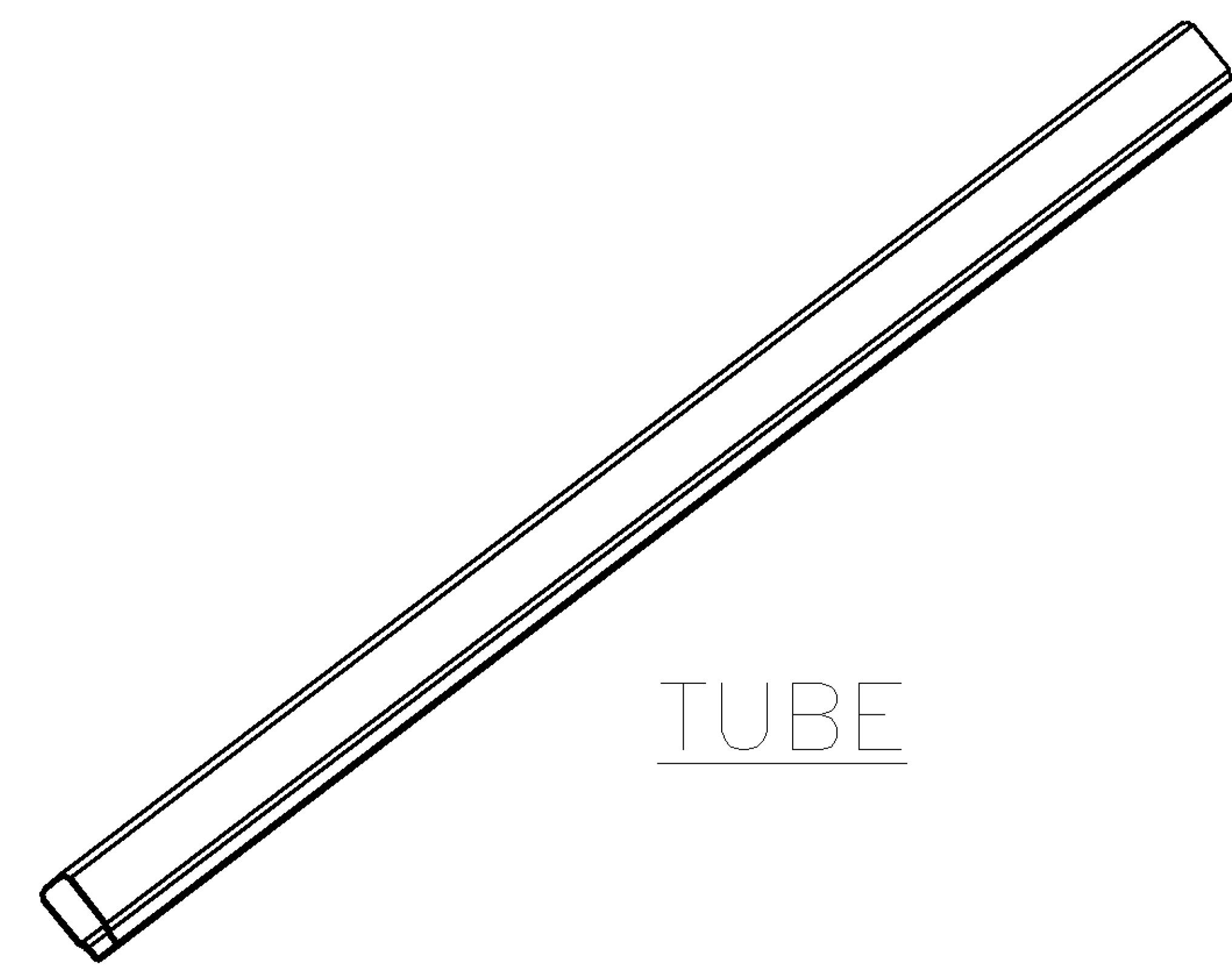
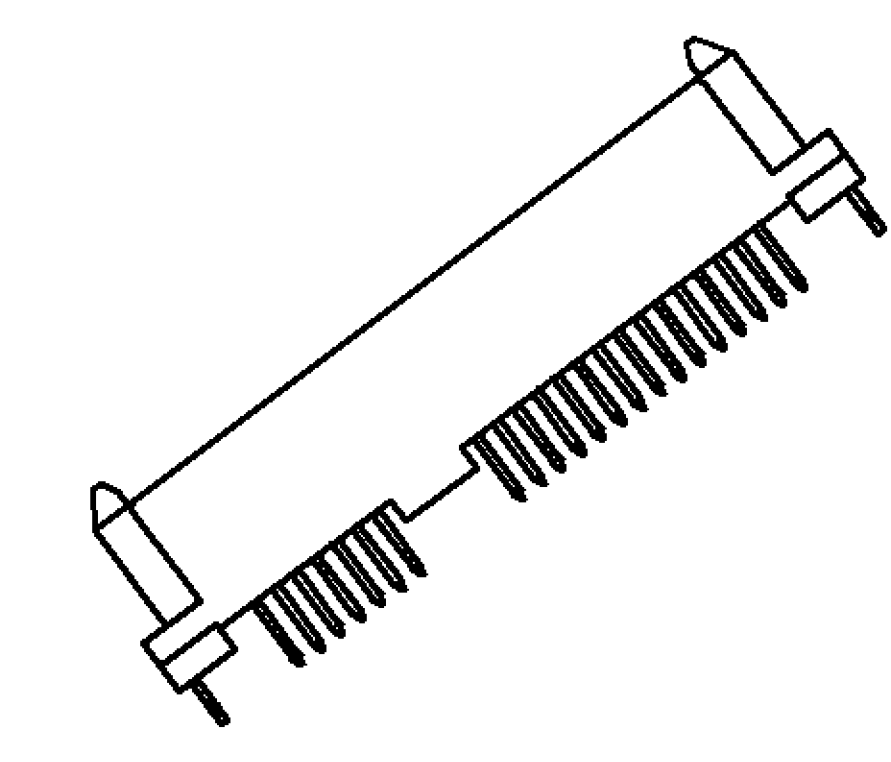
NUMBER
C-1775429

3RD ANGLE PROJECTION

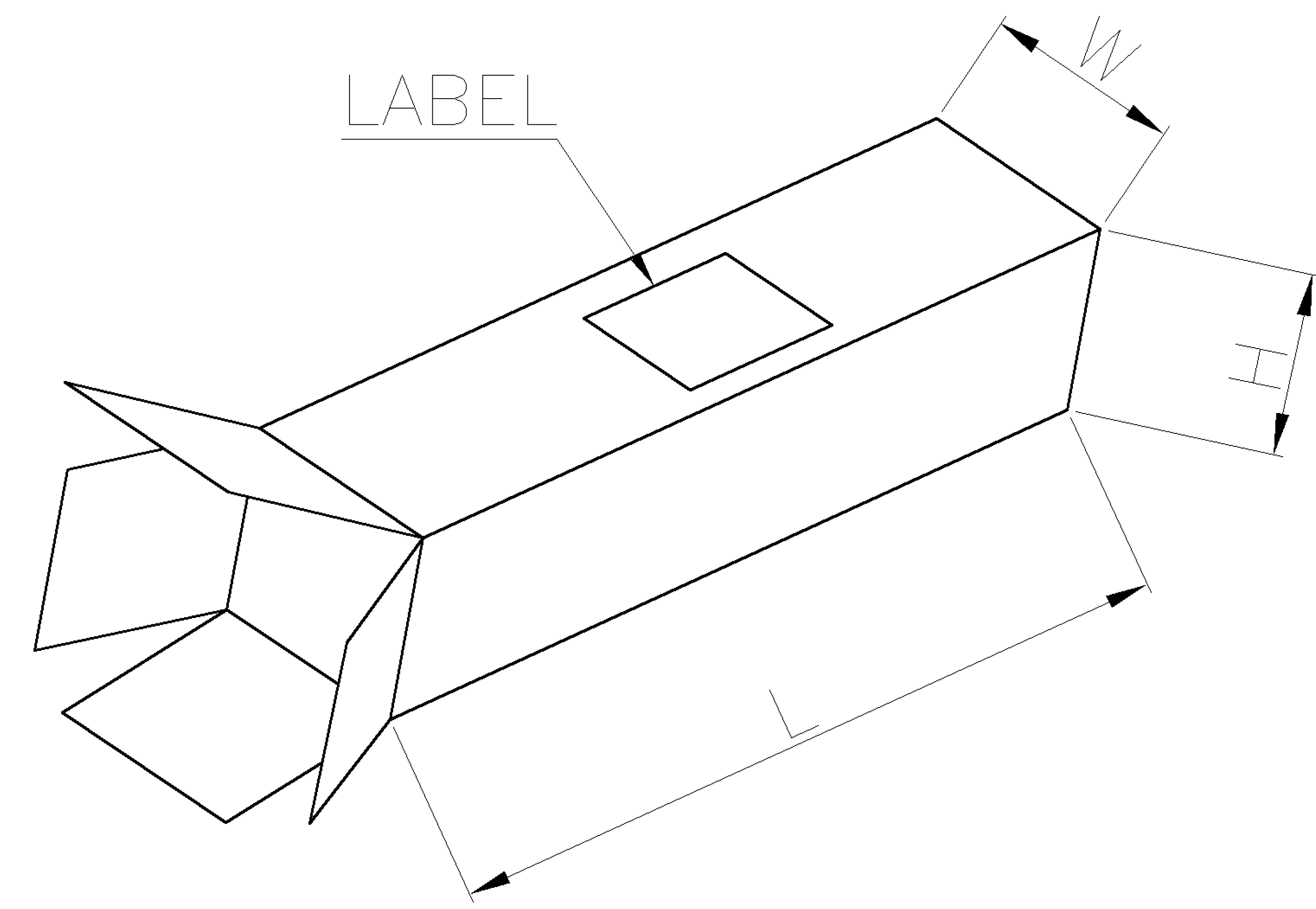
METRIC

DIMENSIONS IN MILLIMETERS. DO NOT SCALE PRINT.

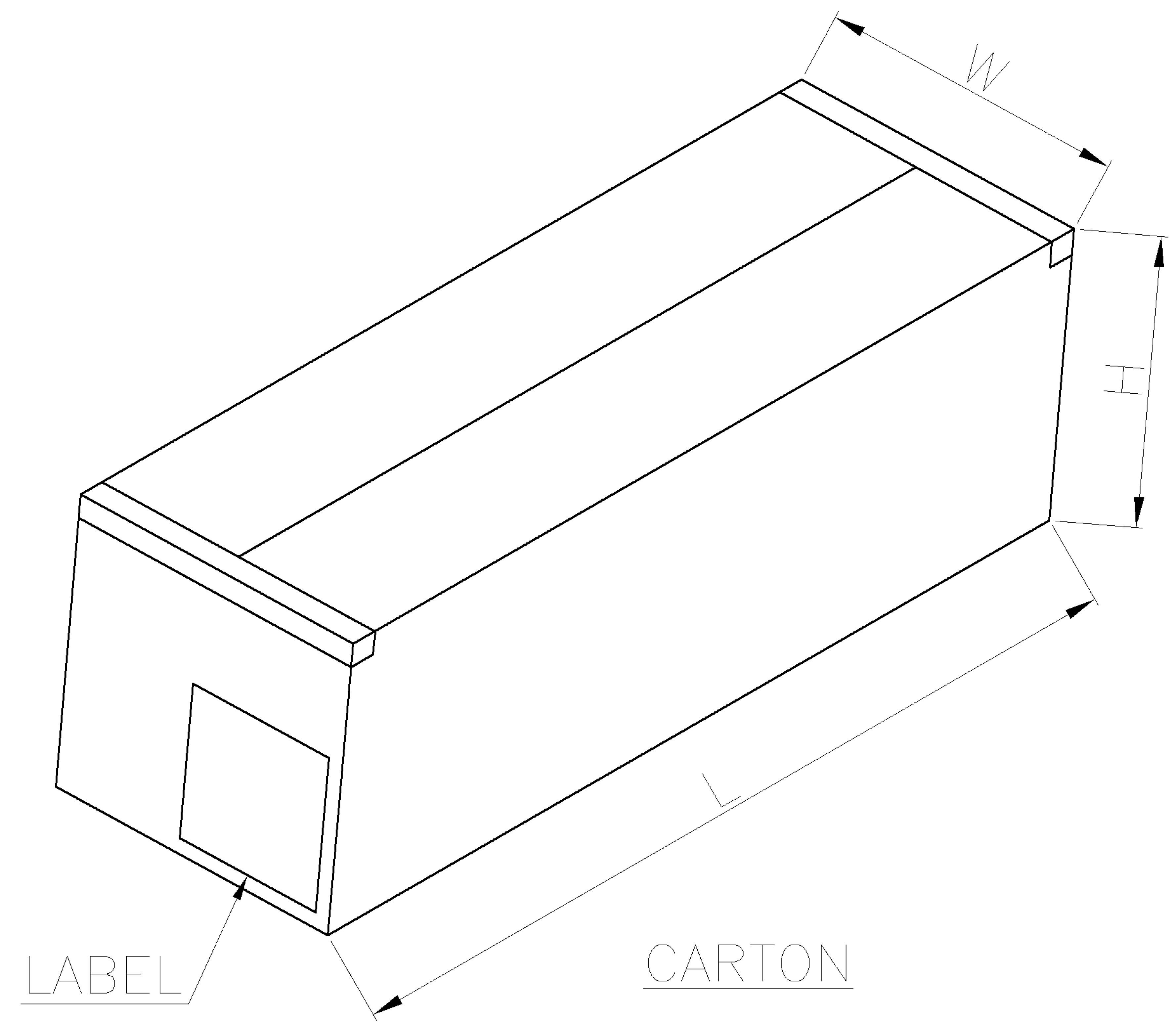
PRINT
DW



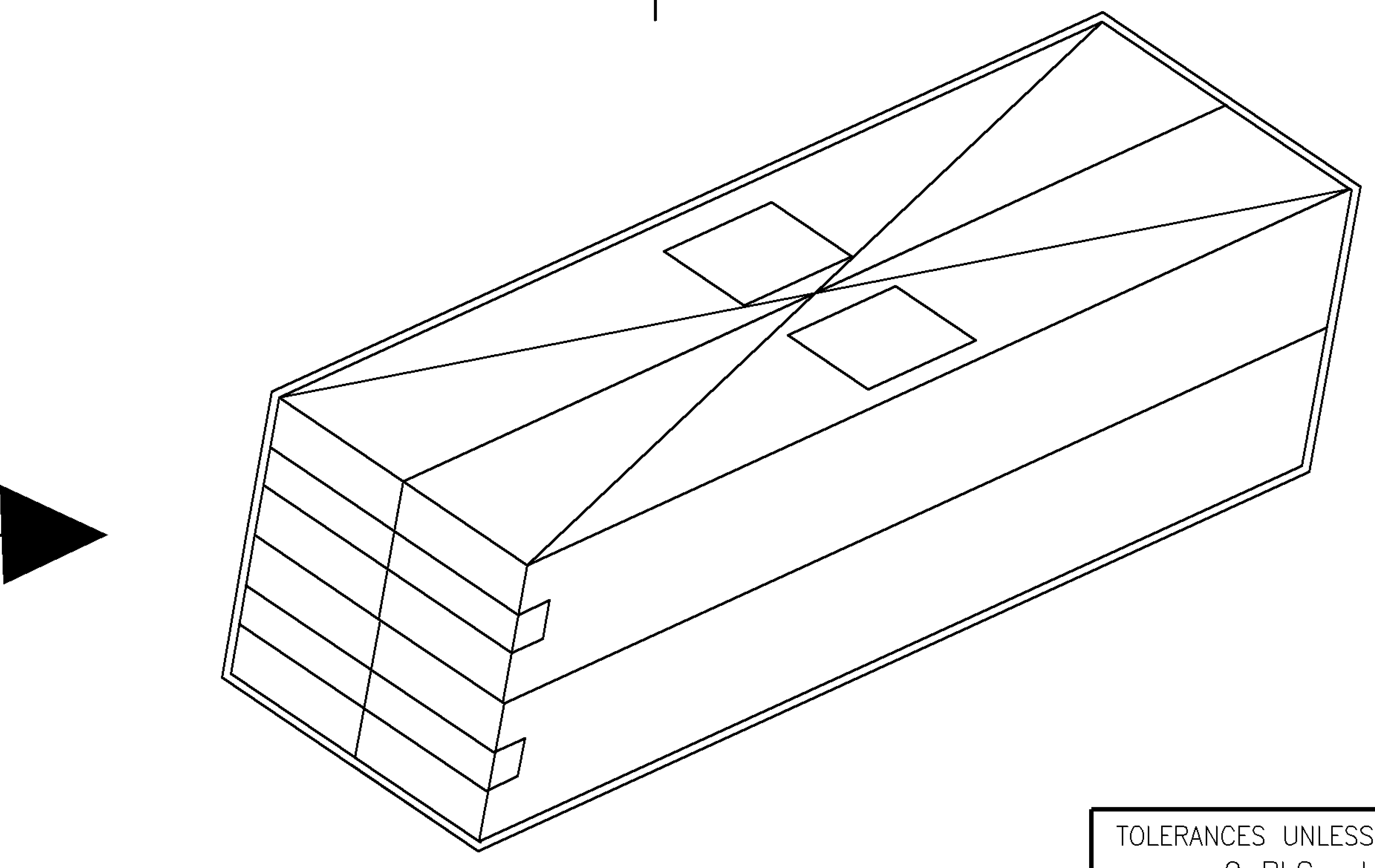
TUBE



INNER BOX




CARTON



NOTE:

- 1. DIMENSION:
TUBE: L= 460, W= 6.5, H= 16.5 mm
INNER BOX: L= 485, W= 86, H= 72 mm
CARTON: L= 500, W= 187, H= 169 mm
- 2. QUANTITY:
10 PCS/TUBE
48 TUBES/INNER BOX
4 INNER BOX/CARTON
1920 PCS/CARTON
- 3. WEIGHT:
N.W: 3 KG
G.W: 6.8 KG

TOLERANCES UNLESS OTHERWISE SPECIFIED: 0 PLC ±- 1 PLC ±- 2 PLC ±- 3 PLC ±- ANGLES ±-	DWN	A. WU	 TE Connectivity NAME SERIAL ATA CONNECTOR, 22 POSN RCPT DIP VERTICAL		
		28-JUL-2006			
MATERIAL -	CHK	S. HOU	LOC DW A ₃		
		28-JUL-2006			
FINISH -	APVD	W.J. KE	DRAWING NO	REV	SCALE --
		28-JUL-2006	C-1775429	A1	
	QUALIFICATION TEST REPORT		DRAWING NO		SHEET 2 OF 2
	-		C-1775429		
	WEIGHT		SHEET		
	-		2 OF 2		

LTR	REVISION RECORD	SEE SHEET 1	DWN	CHK	DATE
		ECO			