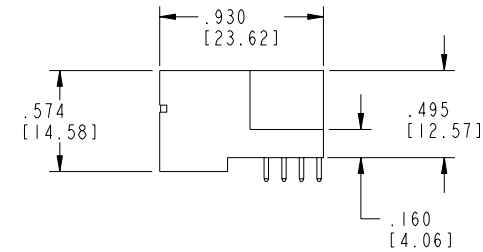
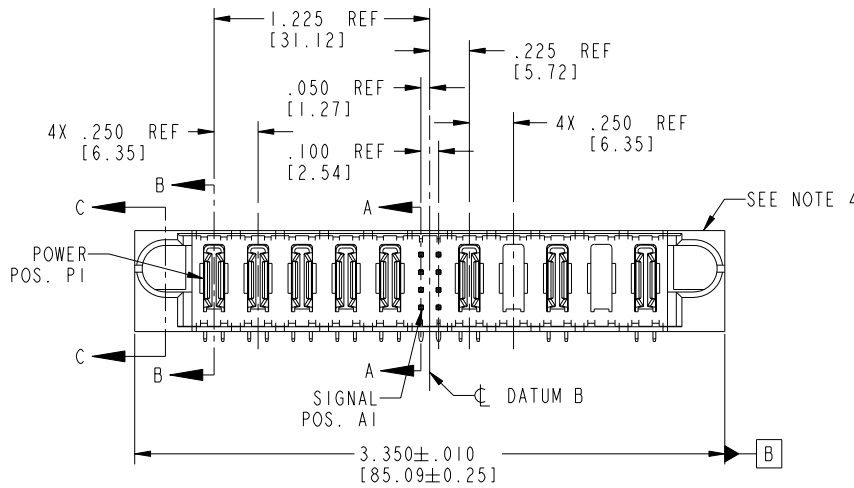


Tous droits strictement réservés. Reproduction ou communication a des tiers interdite sous quelque forme que ce soit sans autorisation écrite du propriétaire. Propriété de c FCI. Droits de reproduction FCI.

All rights strictly reserved. Reproduction or issue to third parties in any form whatever is not permitted without written authority from the proprietor. Property of FCI. Copyright FCI.

PRODUCT NO.	ROWS	POWER					SIG	POWER					E2	
		E1	P1	P2	P3	P4	P5	1	2	P6	P7	P8		P9
51730-086-- NOTE:3	D C B A													



CODE	DIM "M" MATING LENGTH	CONTACT TYPE
R	.270 [6.86]	SIGNAL
S	.270 [6.86]	SIGNAL
T	.270 [6.86]	SIGNAL
U	.270 [6.86]	SIGNAL
PA	N/A [N/A]	POWER
X	OMITTED	OMITTED

mat'l code				SEE NOTE 2		tolerances unless otherwise specified		CUSTOMER		 www.fciconnect.com	
ltr	ecn no.	dr	date	linear	.XX±.01/0.X±0.3	projection	COPY		title		
A	V03-1364	TAB	12/23/03		.XXX±.005/0.XX±0.13				5P + 8S + 5P		
B	DG05-0556	CS	12/19/05		.XXX±.0020/0.XX±0.051	INCH/MM			RIGHT ANGLE SOLDER HEADER		
				angles	0°±?	scale	1:1		product family	PwrBlade	code
				dr	T. BRUNGARD			size	51730-086		213
				enr	M. GRAY			dwg no			sheet
				chr	M. GRAY			A			1 of 4
				appd	M. GRAY						
sheet index	revision	B	B	B	B						
	sheet	1	2	3	4						

cage code 22526 4

PDM: Rev:B

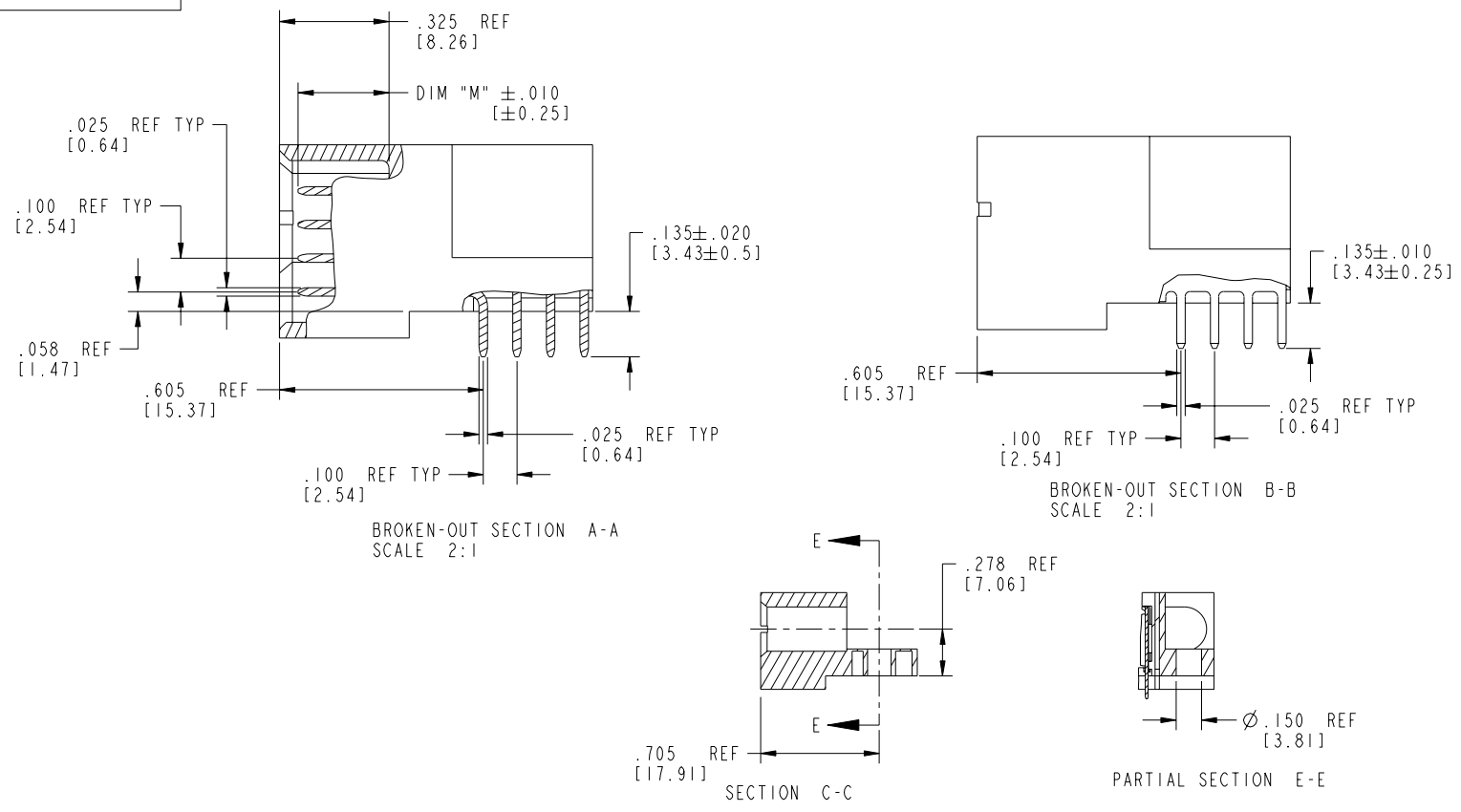
STATUS:Released

Printed: Dec 20, 2010

Tous droits strictement réservés. Reproduction ou communication a des tiers interdite sous quelque forme que ce soit sans autorisation écrite du propriétaire. Propriété de c FCI. Droits de reproduction FCI.

All rights strictly reserved. Reproduction or issue to third parties in any form whatever is not permitted without written authority from the proprietor. Property of FCI. Copyright FCI.

PRODUCT NUMBER
51730-086__
NOTE: 3



mat'l code		SEE NOTE 2		tolerances unless otherwise specified		CUSTOMER		 www.fciconnect.com	
ltr	ecn no.	dr	date	linear	.XX±.01/0.X±0.3	COPY		title	
B				angles	.XXX±.005/0.XX±0.13	projection		5P + 8S + 5P	
				dr	.XXX±.0020/0.XX±0.051			RIGHT ANGLE SOLDER HEADER	
				enr	0°±2°	INCH/MM		product family	
				chr	T. BRUNGARD 12/23/03	scale		PwrBlade	
				appd	M. GRAY 12/23/03	1:1		code	
					M. GRAY 12/23/03			213	
sheet index	revision sheet							size	
								51730-086	
								sheet	
								2 of 4	

cage code 22526

Pro/E

PDM: Rev:B

STATUS: Released

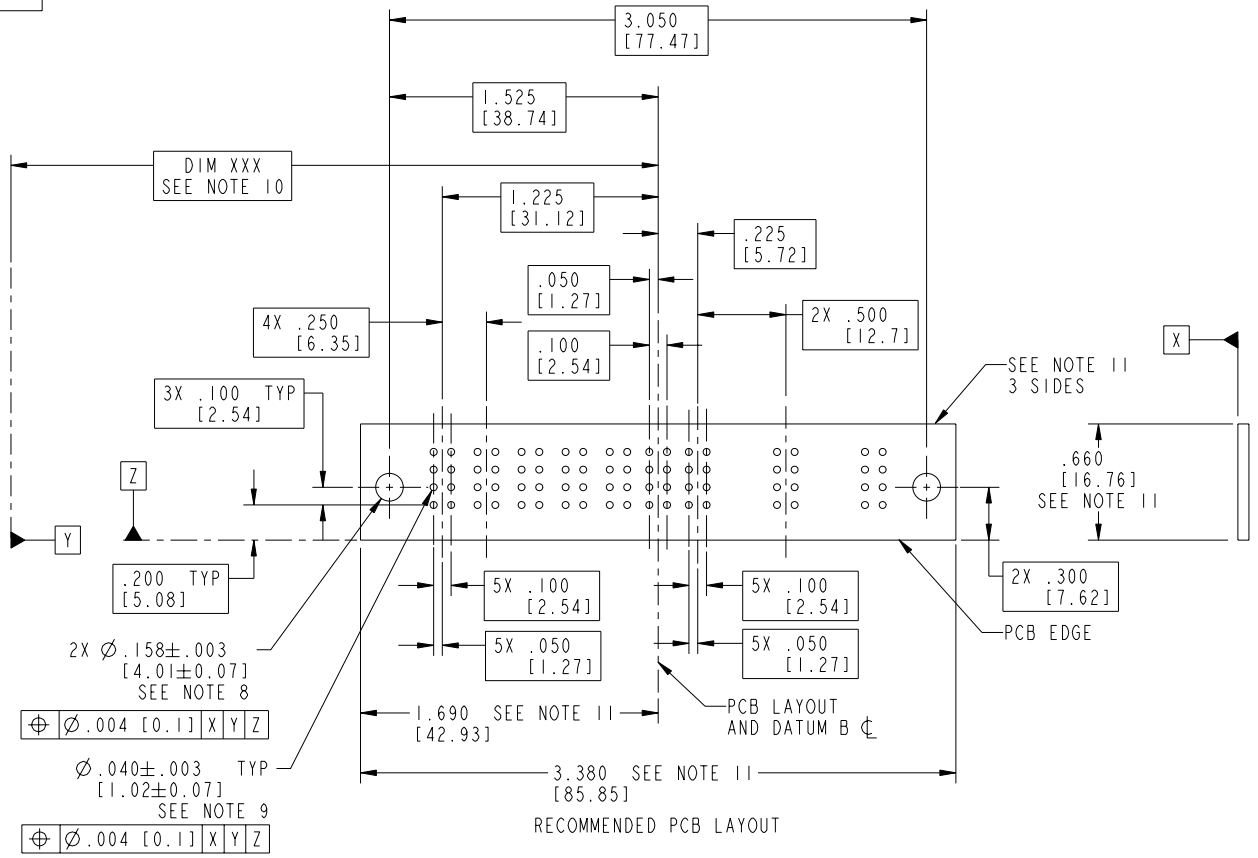
Printed: Dec 20, 2010

Tous droits strictement réservés. Reproduction ou communication a des tiers interdite sous quelque forme que ce soit sans autorisation écrite du propriétaire. Propriété de c FCI. Droits de reproduction FCI.

FCI

All rights strictly reserved. Reproduction or issue to third parties in any form whatever is not permitted without written authority from the proprietor. Property of FCI. Copyright FCI.

PRODUCT NUMBER
51730-086__
NOTE: 3



mat'l code		SEE NOTE 2		tolerances unless otherwise specified		CUSTOMER		FCI www.fciconnect.com	
ltr	ecn no.	dr	date	linear	.XX±.01/0.X±0.3	COPY		projection	
B				linear	.XXX±.005/0.XX±0.13	INCH/MM		title 5P + 8S + 5P	
				angles	XXXX±.0020/0.XXX±0.051	scale 1:1		RIGHT ANGLE SOLDER HEADER	
				dr	T. BRUNGARD 12/23/03	product family PwrBlade		code 213	
				enrg	M. GRAY 12/23/03	size		sheet 3 of 4	
				chr	M. GRAY 12/23/03	dwg no		51730-086	
				appd	M. GRAY 12/23/03	A			
sheet index	revision sheet								

cage code 22526

Pro/E

PDM: Rev:B

STATUS: Released

Printed: Dec 20, 2010

Tous droits strictement réservés. Reproduction ou communication à des tiers interdite sous quelque forme que ce soit sans autorisation écrite du propriétaire. Propriété de c FCI. Droits de reproduction FCI.

A
FCI

All rights strictly reserved. Reproduction or issue to third parties in any form whatever is not permitted without written authority from the proprietor. Property of FCI. Copyright FCI.

PRODUCT NUMBER
51730-086__
NOTE: 3

NOTES:

1. DIMENSIONS AND TOLERANCES ARE IN ACCORDANCE WITH ASME Y14.5M, 1994 UNLESS OTHERWISE SPECIFIED.

CONNECTOR NOTES:

2. HOUSING MATERIAL: UL 94 V-0 GLASS FILLED HIGH-TEMP THERMOPLASTIC
POWER CONTACT MATERIAL: COPPER ALLOY
SIGNAL PIN MATERIAL: COPPER ALLOY

3. PLATING:
51730-086 Singal Pin: 30u"/0.76um Au OVER 50u"/1.27um Ni ON THE CONTACT AREA.
AND 100u"/2.54um SnPb PLATING OVER 50u"/1.27um Ni ON THE TERMINATION SECTION.
Power Pin: 30u"/0.76um Au OVER 50u"/1.27um Ni ON THE CONTACT AREA,
AND 100u"/2.54um SnPb PLATING OVER 50u"/1.27um Ni ON THE TERMINATION SECTION.
51730-086LF Singal Pin: 30u"/0.76um Au OVER 50u"/1.27um Ni ON THE CONTACT AREA.
AND 78u"/2.00um Sn PLATING OVER 50u"/1.27um Ni ON THE TERMINATION SECTION.
Power Pin: 30u"/0.76um Au OVER 50u"/1.27um Ni ON THE CONTACT AREA,
AND 78u"/2.00um Sn PLATING OVER 50u"/1.27um Ni ON THE TERMINATION SECTION.

PART NUMBER 51730-086LF MEETS EUROPEAN UNION DIRECTIVE AND OTHER COUNTRY REGULATIONS AS DESCRIBED IN GS-22-008.

THE HOUSING WILL WITHSTAND EXPOSURE TO 260° PEAK TEMPERATURE FOR 10 SECONDS IN A WAVE SOLDER APPLICATION WITH A CIRCUIT BOARD.

4. MANUFACTURER'S NAME, P/N, AND DATE CODE TO APPEAR ON THIS SURFACE.

5. PRODUCT SPECIFICATION GS-12-149.
APPLICATION SPECIFICATION BUS-20-067.

6. PACKAGED IN TRAYS.

PCB NOTES:

7. ALL HOLE DIAMETERS ARE FINISHED HOLE SIZE.

8. MOUNTING HOLES, WHERE APPLICABLE, ARE UNPLATED.

9. $\varnothing .0453 \pm .0010$ [1.151 ± 0.025] DRILLED HOLES PLATED WITH
.0003 [0.008] MIN SnPb OVER .001 [0.03]
TO .003 [0.08] Cu PLATING TO ACHIEVE
 $\varnothing .040 \pm .003$ [1.02 ± 0.07] HOLE.

10. "DIM XXX" TO BE DETERMINED BY THE CUSTOMER.

11. CONNECTOR KEEP-OUT ZONE.

mat'l code				SEE NOTE 2		tolerances unless otherwise specified		CUSTOMER		A FCI www.fciconnect.com	
ltr	ecn no.	dr	date	linear	.XX±.01/0.X±0.3	projection		COPY			
B				linear	.XXX±.005/0.XX±0.13	projection		title 5P + 8S + 5P			
				angles	XXXX±.0020/0.XXX±0.051	projection		RIGHT ANGLE SOLDER HEADER			
				angles	0° ± 2°	INCH/MM		product family		PwrBlade	
				dr	T. BRUNGARD 12/23/03	scale		size		code	
				enr	M. GRAY 12/23/03	1:1		dwg no		213	
				chr	M. GRAY 12/23/03			51730-086		sheet	
				appd	M. GRAY 12/23/03			A		4 of 4	
sheet index	revision sheet										

cage code 22526 4

PDM: Rev:B

STATUS: Released

Printed: Dec 20, 2010