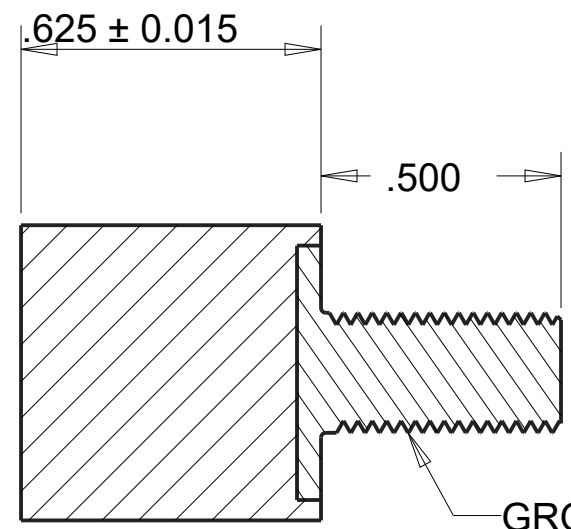
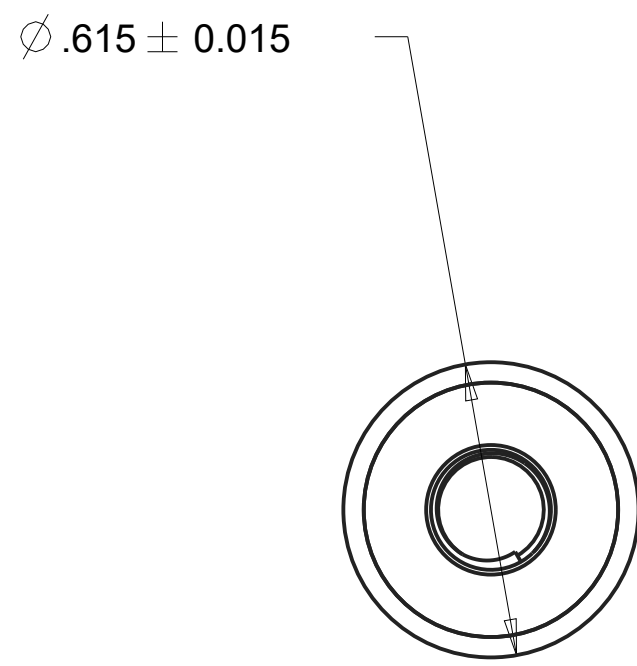




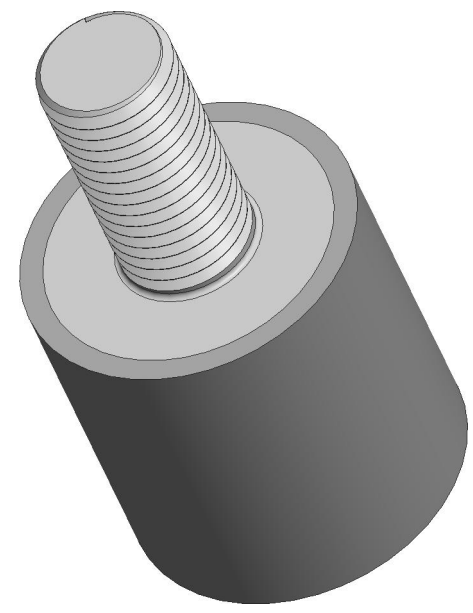
REVISIONS				
DRAWN	REV	DESCRIPTION	DATE	APPROVED
CP	01	INITIAL DESIGN	6/28/17	MS



SECTION A-A
GROUP 3 MALE INSERT
1/4"-20
UNC-2A - UC-25



SCALE 2.500



- NOTES:
1. CONTACT AREAS MUST BE 100% BONDED.

INSERTS:
MALE INSERT P/N: 021-1409
MATERIAL: S.A.E 1018 STEEL
FOR COATING DETAILS, SEE INSERT DRAWING.

MATERIAL:	AEARO TECHNOLOGIES LLC * a 3M company		
ISOLOSS SL-20300	QUALITY CONTROL: MUST COMPLY WITH AEARO TECHONLGIES LLC SUPPLIER QUALITY MANUAL REQUIREMENTS	TITLE	
UNITS: IN		SANDWICH MOUNT, GROUP 3, MALE-BLANK, ISOLOSS SL-20300	
	NOTES: ANY FEATURE NOT DIMENSIONED IN PRINT MUST BE VISIBLY PRESENT, UTILIZE 3D CAD FOR CREATION	SIZE	DWG NO.
		B	MB-300-UC25-SL20300