

MATERIAL NUMBER	# OF COLUMNS	# OF DIFF PAIR	DIM 'A' MAX	DIM 'B'	PTH $\phi$
76500-#8**	8	32	22.80	13.30	0.46±0.05
76500-#1**	10	40	26.60	17.10	0.46±0.05
76500-#6**	16	64	38.00	28.50	0.46±0.05
76500-#8**	8	32	22.80	13.30	0.39±0.05
76500-#1**	10	40	26.60	17.10	0.39±0.05
76500-#6**	16	64	38.00	28.50	0.39±0.05

76500-\*\*\*\*

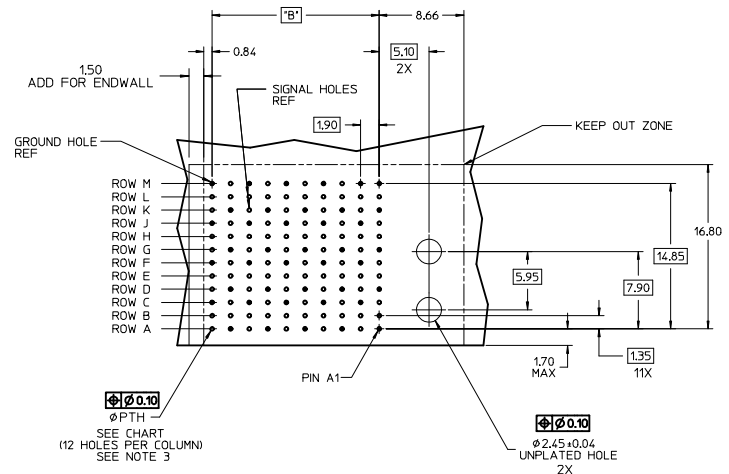
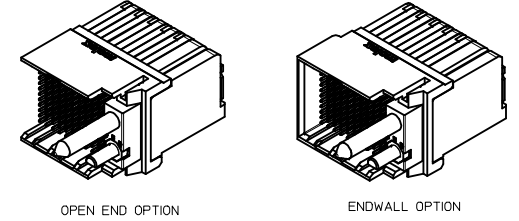
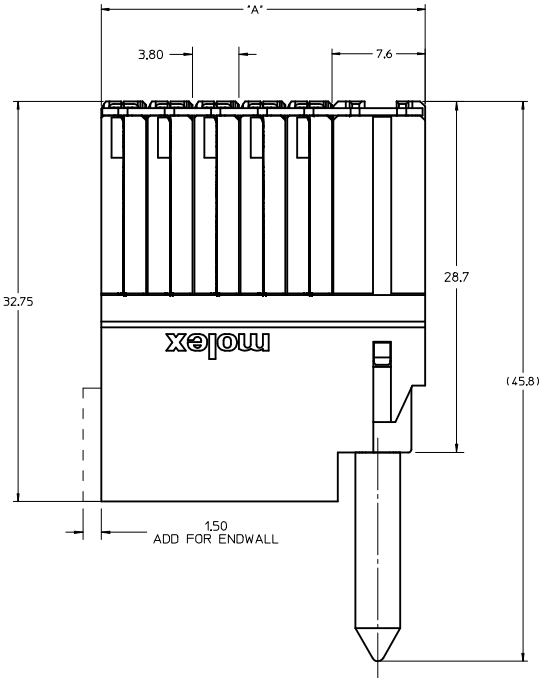
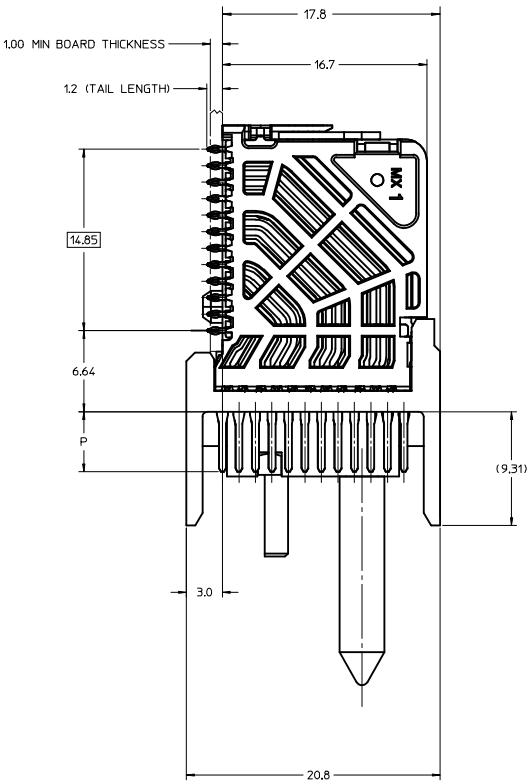
MODULE TYPE  
 5 = RIGHT GUIDED, LEAD-FREE  
 9 = RIGHT GUIDED, LEAD-FREE W/ ENDWALL

PIN LENGTH (P)  
 4 = 4.90 (0.46 PTH)  
 5 = 5.50 (0.46 PTH)  
 7 = 4.90 (0.39 PTH)  
 8 = 5.50 (0.39 PTH)

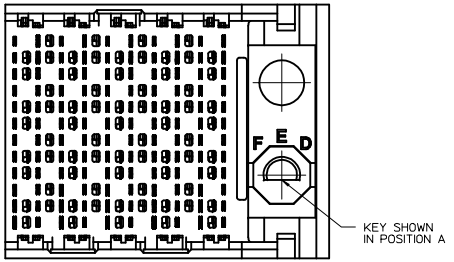
# OF COLUMNS  
 1 = 10 COLUMNS  
 6 = 16 COLUMNS  
 8 = 8 COLUMNS

KEY ORIENTATION  
 0 = NO KEY  
 1 = A 5 = E  
 2 = B 6 = F  
 3 = C 7 = G  
 4 = D 8 = H

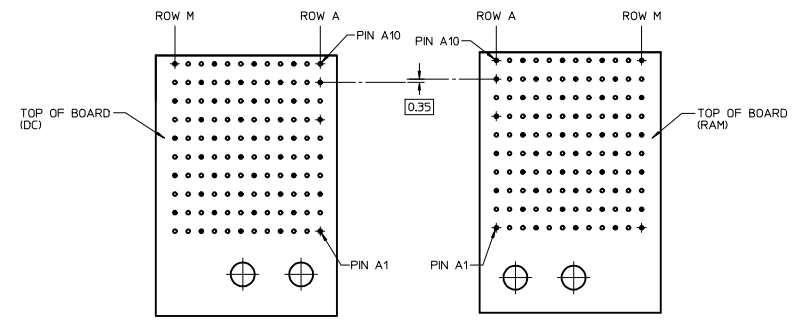
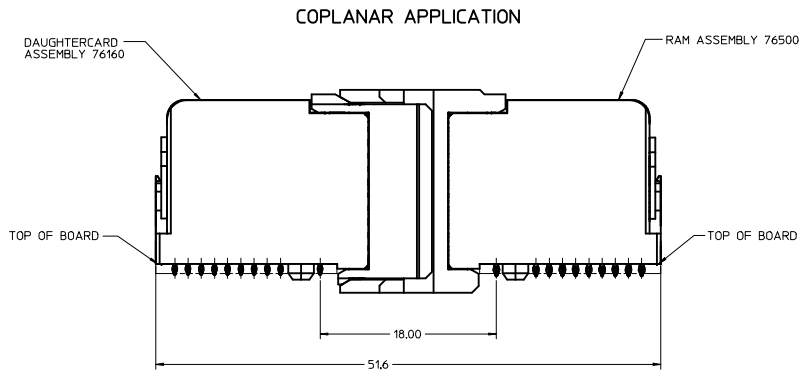
- NOTES:
- MATERIALS: HOUSING - LIQUID CRYSTAL POLYMER (LCP), GLASS-FILLED, UL94V-0  
TERMINALS - HIGH PERFORMANCE COPPER ALLOY
  - FINISH: 30NM SELECTIVE GOLD IN CONTACT AREA, SELECTIVE TIN ON PCB TAILS, NICKEL OVERALL.
  - REFER TO MOLEX PRODUCT SPECIFICATION PS-76060-999 FOR PERFORMANCE SPECIFICATIONS AND ADDITIONAL PCB INFORMATION.
  - EACH SIGNAL WAFER CONTAINS 2 COLUMNS OF TERMINALS.
  - PRODUCT IS PACKAGED PER PK-70873-041.
  - THIS PART CONFORMS TO CLASS B REQUIREMENTS OF COSMETIC SPEC PS-45499-002.
  - REFER TO MOLEX SALES DRAWING SD-76160-002 FOR THE MATING RECEPTACLES.
  - REFER TO MOLEX PCB ROUTING GUIDE AS-76060-990 FOR ANTIPAD AND ROUTING RECOMMENDATIONS.
  - WHEN USING MOLEX SUPPLIED #2-32 SCREW 73726-0000 (9.50mm ±0.38 THREADABLE SCREW LENGTH), THE MAXIMUM BOARD THICKNESS IS 4.4mm.
  - GUIDE RIGHT RAM MATES WITH A GUIDE LEFT DAUGHTERCARD.



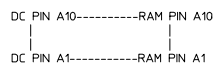
RAM HOLE PATTERN (CONNECTOR SIDE)



UPD DRAWING/PCB LAYOUT EEC NO: UCP2014-4979 DRWNS: GONZALEZ01_2014/05/28 CHKD: APPR: ELO	QUALITY SYMBOLS	GENERAL TOLERANCES (UNLESS SPECIFIED)	DIMENSION STYLE	SCALE	DESIGN UNITS	THIRD ANGLE PROJECTION	
	▽=0	mm INCH	MM ONLY	5:1	METRIC		
	▽=0	4 PLACES ± --- + ---	DRAWN BY	DATE	TITLE		
	▽=0	3 PLACES ± --- + ---	JOUILES	2008/12/10	IMPACT 4 PAIR RAM		
	2 PLACES ± 0.13 + ---	CHECKED BY	DATE				
	1 PLACE ± 0.25 + ---	JLAURX	2008/12/11				
	0 PLACE ± --- + ---	APPROVED BY	DATE				
	ANGULAR ±1/2°	JLAURX	2008/12/12				
	DRAFT WHERE APPLICABLE MUST REMAIN WITHIN DIMENSIONS						
		MATERIAL NO.	DOCUMENT NO.				
		SEE TABLE	SD-76500-004				
		SIZE					
		D					
		THIS DRAWING CONTAINS INFORMATION THAT IS PROPRIETARY TO MOLEX INCORPORATED AND SHOULD NOT BE USED WITHOUT WRITTEN PERMISSION					
						SHEET NO. 1 OF 2	



**COPLANAR MATED SIGNAL PATHS**



<b>SEE SHEET 1</b> EEC NO. UCP2014-4979 DRAWN: GONZALEZ01 2014/05/28 CHKD: FZ APPR: TEL0 REV:	QUALITY SYMBOLS	GENERAL TOLERANCES (UNLESS SPECIFIED)	DIMENSION STYLE	SCALE	DESIGN UNITS	THIRD ANGLE PROJECTION
	▽=0	mm INCH	MM ONLY	4:1	METRIC	☉
	▽=0	4 PLACES ± --- ± ---	DRAWN BY	DATE	TITLE	
	▽=0	3 PLACES ± --- ± ---	JOUILES	2008/12/10	IMPACT 4 PAIR RAM	
	2 PLACES ± 0.13 ± ---	CHECKED BY	DATE	JLAURX	2008/12/11	GUIDE RIGHT
	1 PLACE ± 0.25 ± ---	APPROVED BY	DATE	JLAURX	2008/12/12	SIGNAL MODULE SALES DWG
	0 PLACE ± --- ± ---	ANGULAR ±1/2°	MATERIAL NO.	SEE TABLE	DOCUMENT NO.	<b>molex</b>
	DRAFT WHERE APPLICABLE	MUST REMAIN WITHIN DIMENSIONS	SIZE	D	SD-76500-004	
			THIS DRAWING CONTAINS INFORMATION THAT IS PROPRIETARY TO MOLEX INCORPORATED AND SHOULD NOT BE USED WITHOUT WRITTEN PERMISSION			