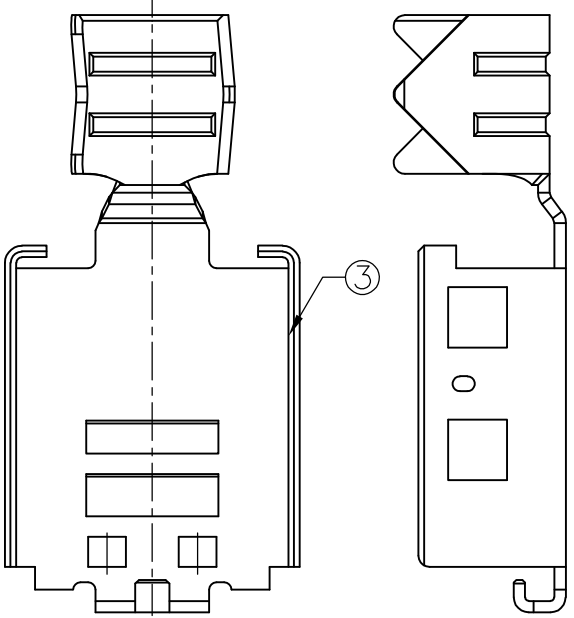
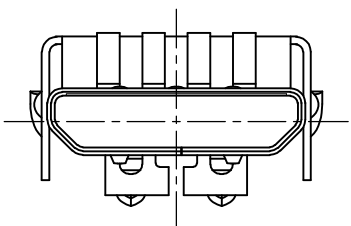
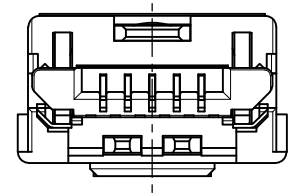
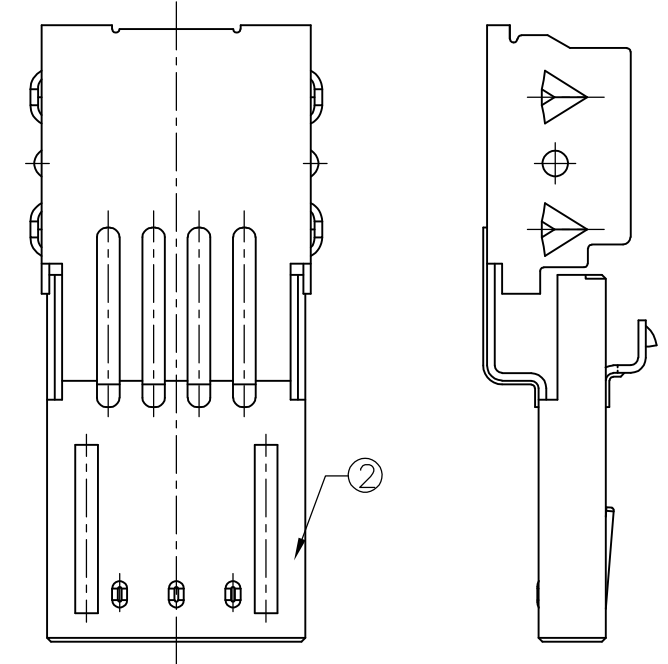
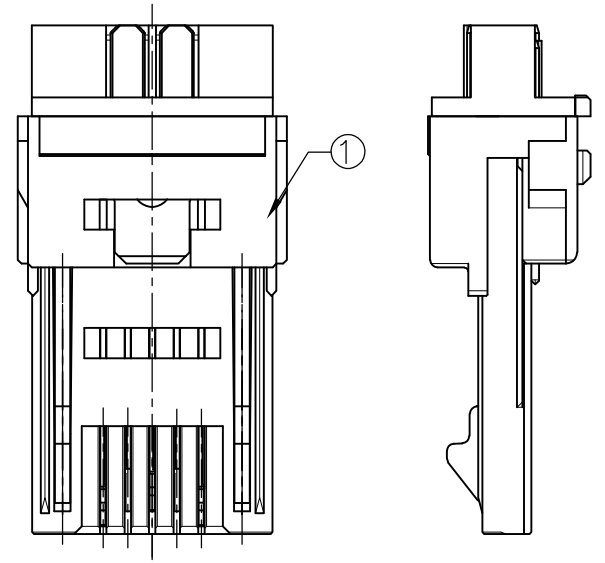


THIS DRAWING IS UNPUBLISHED. RELEASED FOR PUBLICATION .2007.
 © COPYRIGHT 2007 By - ALL RIGHTS RESERVED.

| LOC | DIST | REVISIONS 変更 | | | | | |
|-----|------|-----------------|-----|---------------------------|-----------|-----|------|
| J | / | P | LTR | DESCRIPTION | DATE | DWN | APVD |
| | | G | | REVISED PER ECR-11-014079 | 15NOV2011 | T.T | J.T |



1. ITEM 2 AND 3 ARE NOT ASSEMBLED.
 2. PACKAGING QUANTITY : 550 KIT

| OBSOLETE | APPLICABLE CABLE DIAMETER | TOOLING STATUS | CONTACT FINISH | PART NO. FOR KIT | DESCRIPTION | PART NO. | ITEM |
|----------|---------------------------|----------------|--|------------------|-------------|-------------|------|
| OBSOLETE | ø4.3 | NOT AVAILABLE | SELECTIVE Au PLATED OVER Ni-Pd PLATED OVER Ni PLATED | 1-1939054-3 | LOWER SHELL | 1-1939061-6 | ⑥ |
| | | AVAILABLE | SELECTIVE Au PLATED OVER Ni PLATED | 1939054-3 | UPPER SHELL | 1-1939060-2 | ② |
| OBSOLETE | ø3.3 | NOT AVAILABLE | SELECTIVE Au PLATED OVER Ni-Pd PLATED OVER Ni PLATED | 1-1939054-2 | SUB ASSY | 1-1939080-2 | ① |
| | | AVAILABLE | SELECTIVE Au PLATED OVER Ni PLATED | 1939054-2 | LOWER SHELL | 1-1939061-6 | ③ |
| OBSOLETE | ø2.8 | NOT AVAILABLE | SELECTIVE Au PLATED OVER Ni-Pd PLATED OVER Ni PLATED | 1-1939054-1 | UPPER SHELL | 1-1939060-2 | ② |
| | | AVAILABLE | SELECTIVE Au PLATED OVER Ni PLATED | 1939054-1 | SUB ASSY | 1-1939080-1 | ① |

THIS DRAWING IS A CONTROLLED DOCUMENT.

| | | |
|------|------------|-----------|
| DWN | J.TSUJI | 28MAY2007 |
| CHK | T.KUSUHARA | 28MAY2007 |
| APVD | T.KUSUHARA | 28MAY2007 |

NAME: T.KUSUHARA

PRODUCT SPEC: 製品規格

APPLICATION SPEC: 取付適用規格

WEIGHT: -

CUSTOMER DRAWING

SCALE: 5:1

SHEET: 1 OF 3

REV: G

RESTRICTED TO: -

SIZE: A3

CAGE CODE: 00779

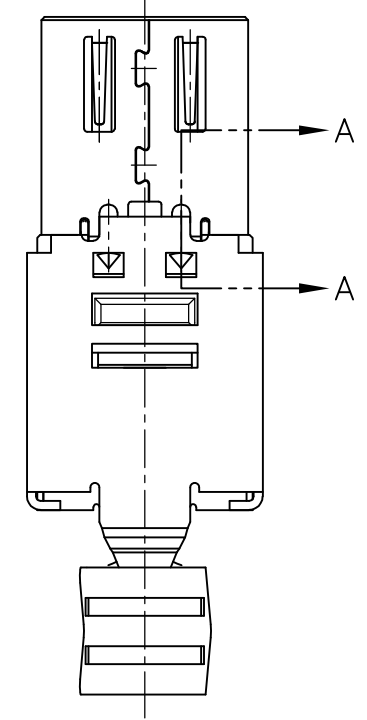
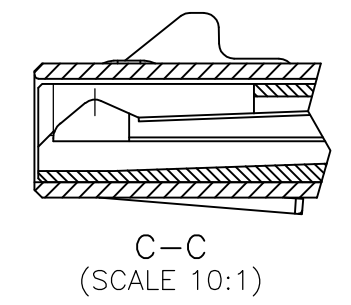
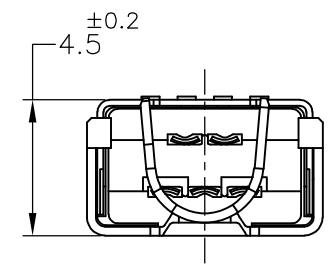
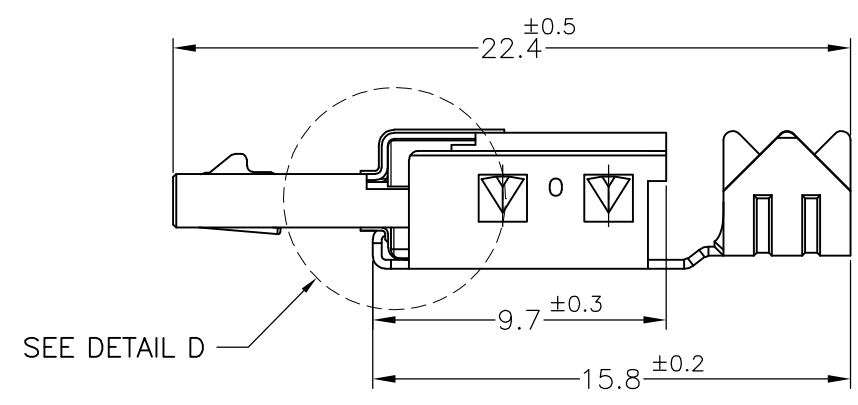
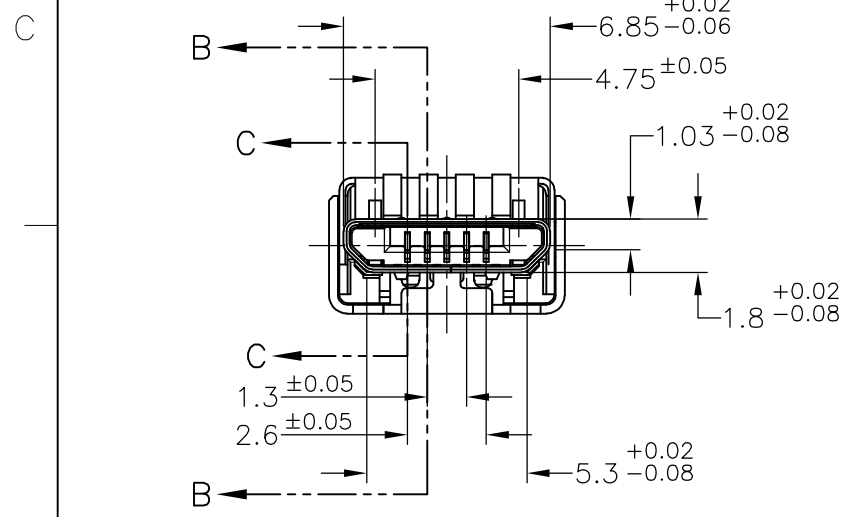
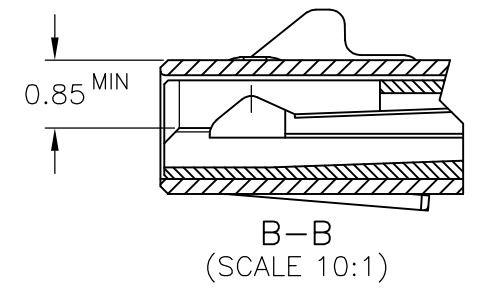
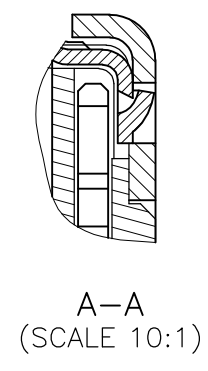
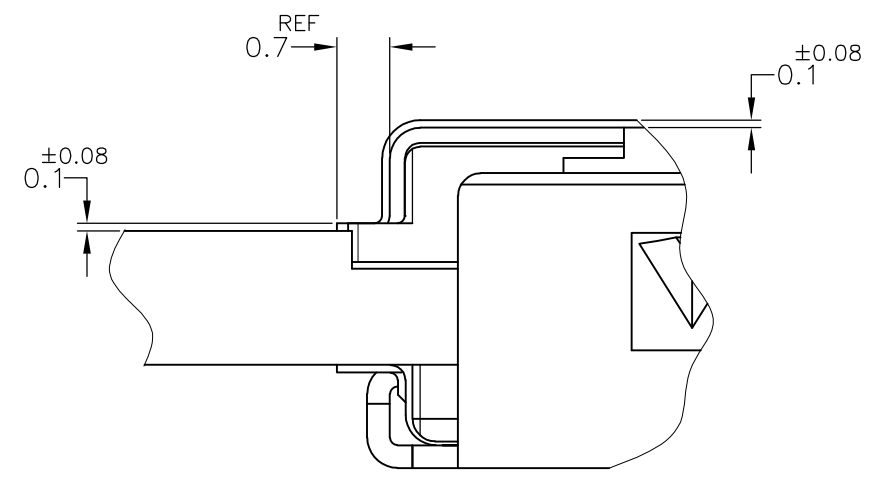
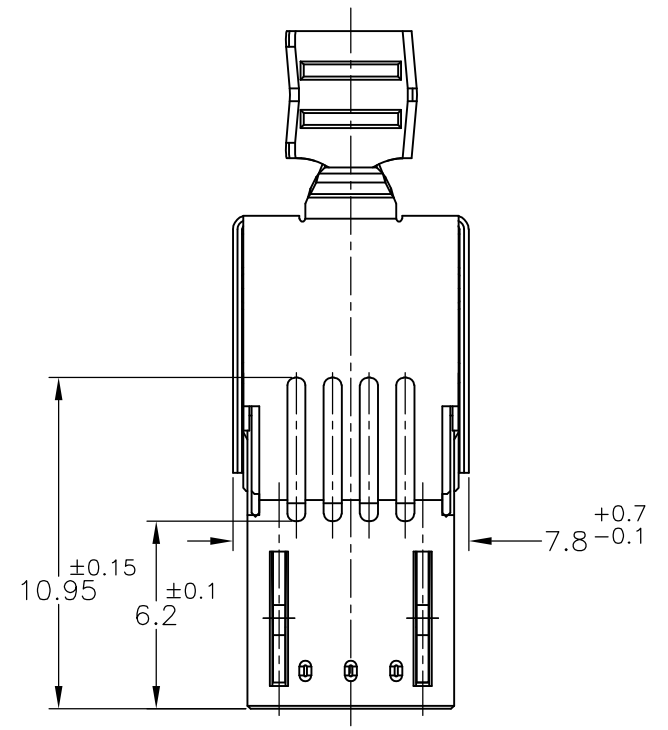
DRAWING NO: C-1939054

TE Connectivity

MICRO USB I/O PLUG TYPE B KIT

THIS DRAWING IS UNPUBLISHED. RELEASED FOR PUBLICATION .2006.
 © COPYRIGHT 2006 By - ALL RIGHTS RESERVED.

| LOC | DIST | REVISIONS | | | DATE | DWN | APVD |
|-----|------|-----------|-----|-------------|------|-----|------|
| J | / | P | LTR | DESCRIPTION | | | |
| | | - | | SEE SHEET 1 | - | - | - |

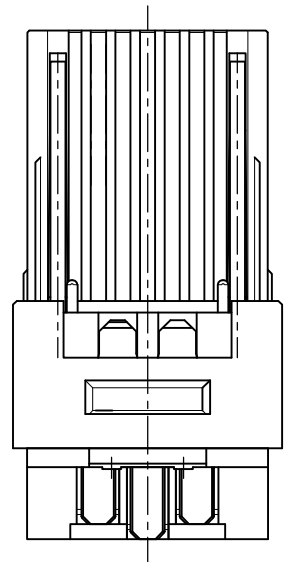
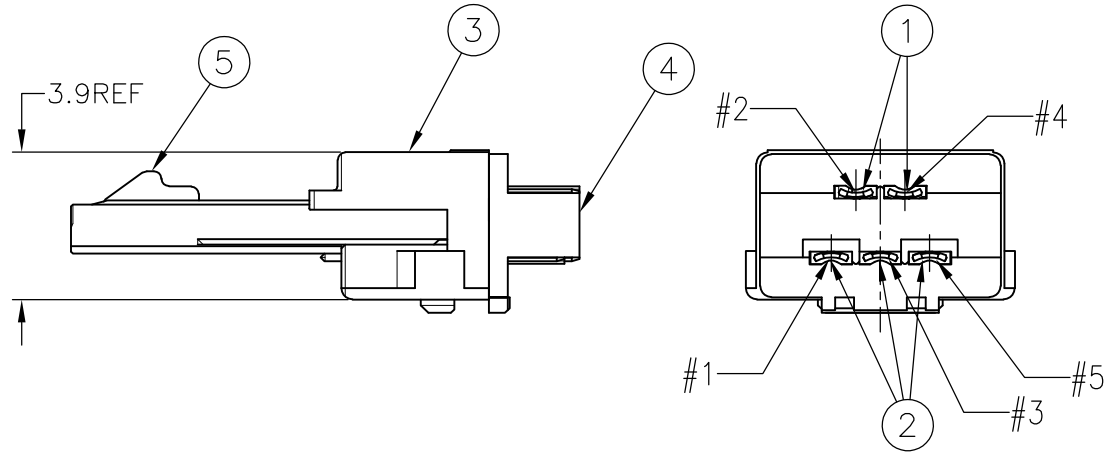
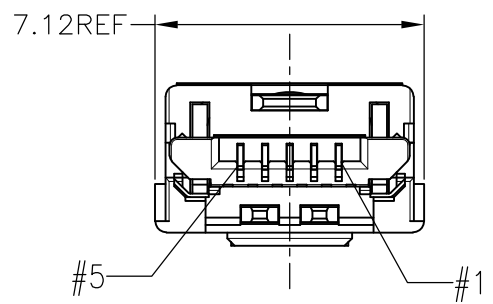
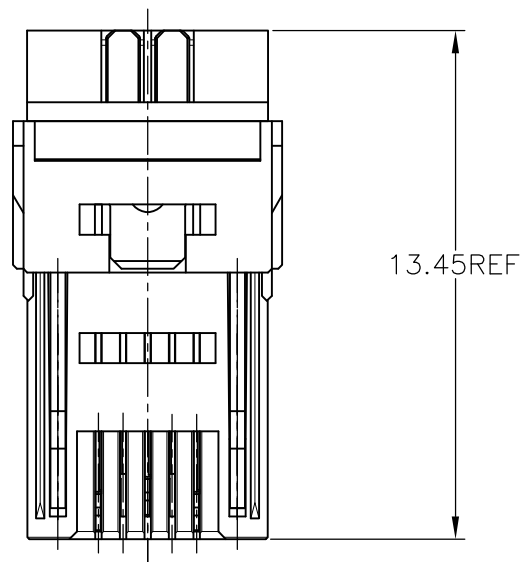


REFERENCE: SHELL ASSEMBLY

| | | | | | |
|---|--|-------------------------|-------------------------------|-----------|---------------|
| THIS DRAWING IS A CONTROLLED DOCUMENT. | | DWN | STE TE Connectivity | | |
| DIMENSIONS: 单位: 耗 mm | | CHK | | | |
| TOLERANCES UNLESS OTHERWISE SPECIFIED: 一般公差 | | APVD | NAME 名称 | | |
| 0 PLC ± - | | PRODUCT SPEC 製品規格 | MICRO USB I/O PLUG TYPE B KIT | | |
| 1 PLC ± - | | APPLICATION SPEC 取付適用規格 | SIZE | CAGE CODE | DRAWING NO 番号 |
| 2 PLC ± - | | WEIGHT | A3 | 00779 | C-1939054 |
| 3 PLC ± - | | CUSTOMER DRAWING | SCALE 尺度 4:1 | | SHEET 2 OF 3 |
| 4 PLC ± - | | | REV G | | RESTRICTED TO |
| ANGLES ± - | | | | | |
| FINISH 仕上 | | | | | |
| MATERIAL 材料 | | | | | |

THIS DRAWING IS UNPUBLISHED. RELEASED FOR PUBLICATION ,2006.
 © COPYRIGHT 2006 By - ALL RIGHTS RESERVED.

| LOC | DIST | REVISIONS 変更 | | | | | |
|-----|------|-----------------|-----|-------------|------|-----|------|
| J | / | P | LTR | DESCRIPTION | DATE | DWN | APVD |
| | | - | | SEE SHEET 1 | - | - | - |



REFERENCE: SUB ASSY

| NAME | TOOLING STATUS | P/N | DESCRIPTION | PART NO. | MATERIAL | FINISH | ITEM |
|----------|----------------|-------------|--------------|-----------|-----------------|--|------|
| SUB ASSY | NOT AVAILABLE | 1-1939080-2 | LOCK LEVER | 1981274-3 | STAINLESS STEEL | | ⑤ |
| | | | BOTTOM COVER | 1981198-1 | THERMO PLASTIC | | ④ |
| | | | HOUSING | 1939056-1 | THERMO PLASTIC | | ③ |
| | | | CONTACT B | 1939058-3 | COPPER ALLOY | SELECTIVE Au PLATED OVER Ni-Pd PLATED OVER Ni PLATED | ② |
| | | | CONTACT A | 1939057-3 | COPPER ALLOY | SELECTIVE Au PLATED OVER Ni-Pd PLATED OVER Ni PLATED | ① |
| | AVAILABLE | 1-1939080-1 | LOCK LEVER | 1981274-3 | STAINLESS STEEL | | ⑤ |
| | | | BOTTOM COVER | 1981198-1 | THERMO PLASTIC | | ④ |
| | | | HOUSING | 1939056-1 | THERMO PLASTIC | | ③ |
| | | | CONTACT B | 1939058-2 | COPPER ALLOY | SELECTIVE Au PLATED OVER Ni PLATED | ② |
| | | | CONTACT A | 1939057-2 | COPPER ALLOY | SELECTIVE Au PLATED OVER Ni PLATED | ① |

THIS DRAWING IS A CONTROLLED DOCUMENT.

| | | | |
|----------------------------|---|----------------------------|--|
| DIMENSIONS: 単位: 耗 mm | TOLERANCES UNLESS OTHERWISE SPECIFIED: 一般公差 | DWN | TE Connectivity MICRO USB I/O PLUG TYPE B KIT |
| | 0 PLC ± - | CHK | |
| | 1 PLC ± - | APVD | |
| | 2 PLC ± - | PRODUCT SPEC 製品規格 | |
| | 3 PLC ± - | APPLICATION SPEC 取付適用規格 | |
| MATERIAL 材料 | FINISH 仕上 | WEIGHT | NAME 名称 SIZE A3 CAGE CODE 00779 DRAWING NO 番号 C-1939054 RESTRICTED TO SCALE 尺度 5:1 SHEET 3 OF 3 REV G |

CUSTOMER DRAWING