

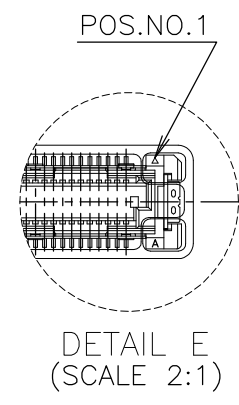
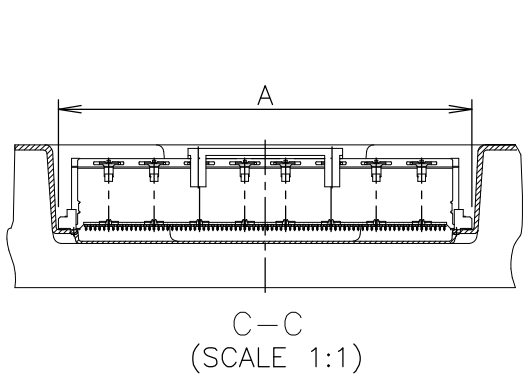
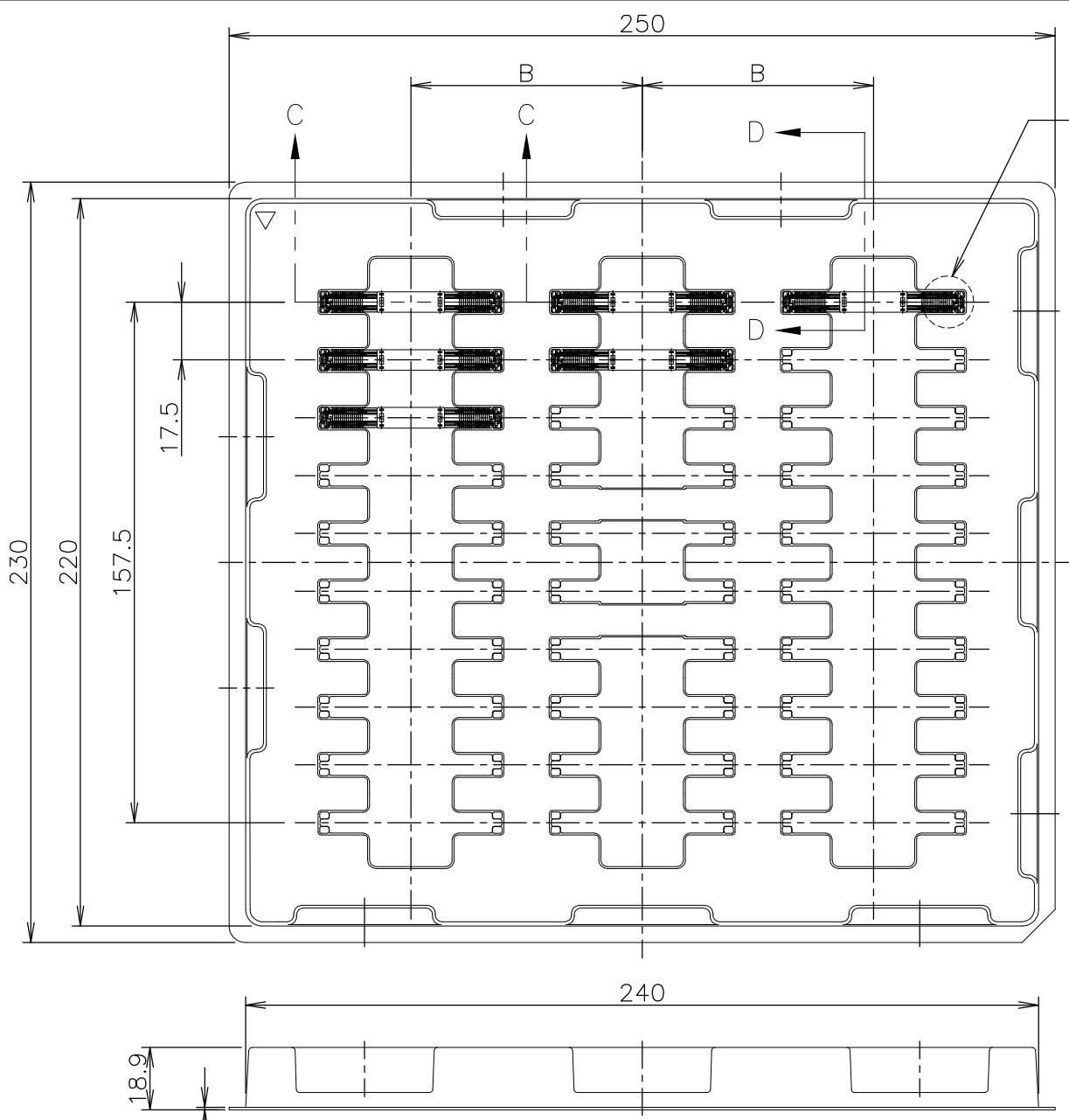
THIS DRAWING IS UNPUBLISHED. RELEASED FOR PUBLICATION APR, 1998.
 © COPYRIGHT 1998 BY TYCO ELECTRONICS CORPORATION. ALL RIGHTS RESERVED.

LOC J DIST

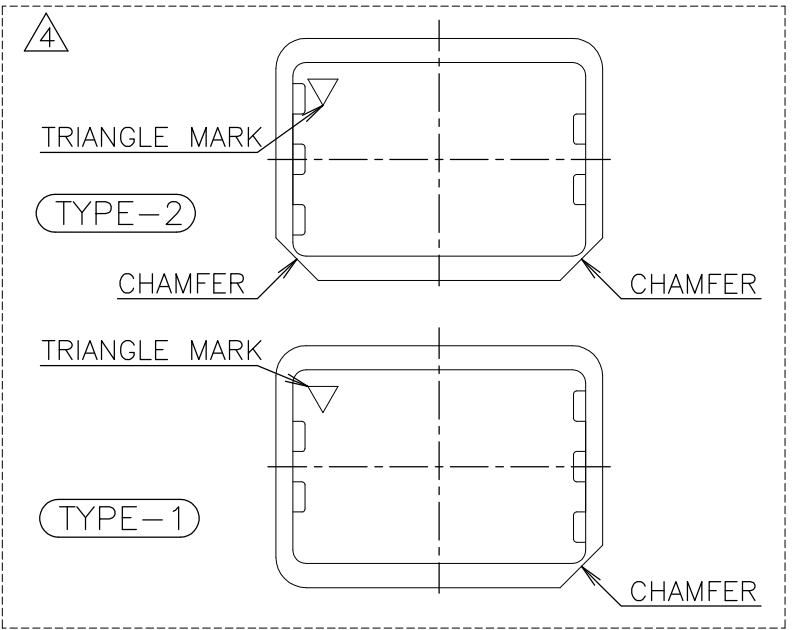
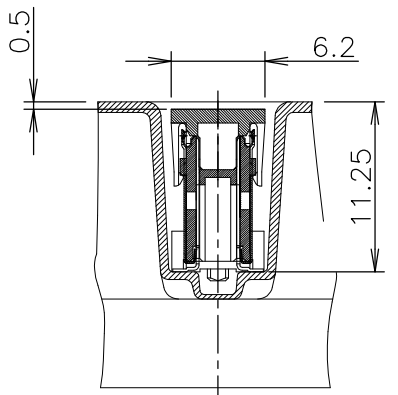
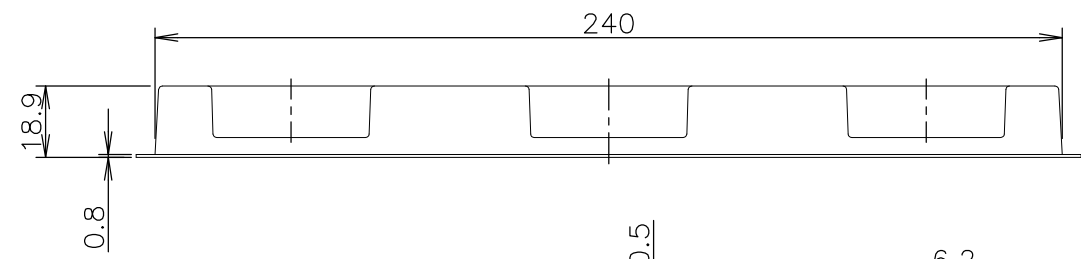
REVISIONS		DATE	DWN	APVD
P	LTR	DESCRIPTION		
A	REVISED	ECR-08-000339	01FEB08	T.T T.F

AS SHOWN: TYPE-1

SEE DETAIL E



⚠ TRAY TYPE-1 AND TYPE-2 MUST BE
 PILED UP BY TURNS.
 (REFER TO PACKING SPECIFICATIONS)



GENERAL TOLERANCE
 一般公差

10 ≥	±0.2
30 ≥	>10: ±0.25
100 ≥	>30: ±0.3
ANGLES: ±3°	

SEALANT	AVAILABLE	3	30	70	54.7	160	912074-4	6-6123845-1
SEALANT	TOOLING STATUS	LOW	QTY	B	A	POS.	TRAY P/N	PART NO.

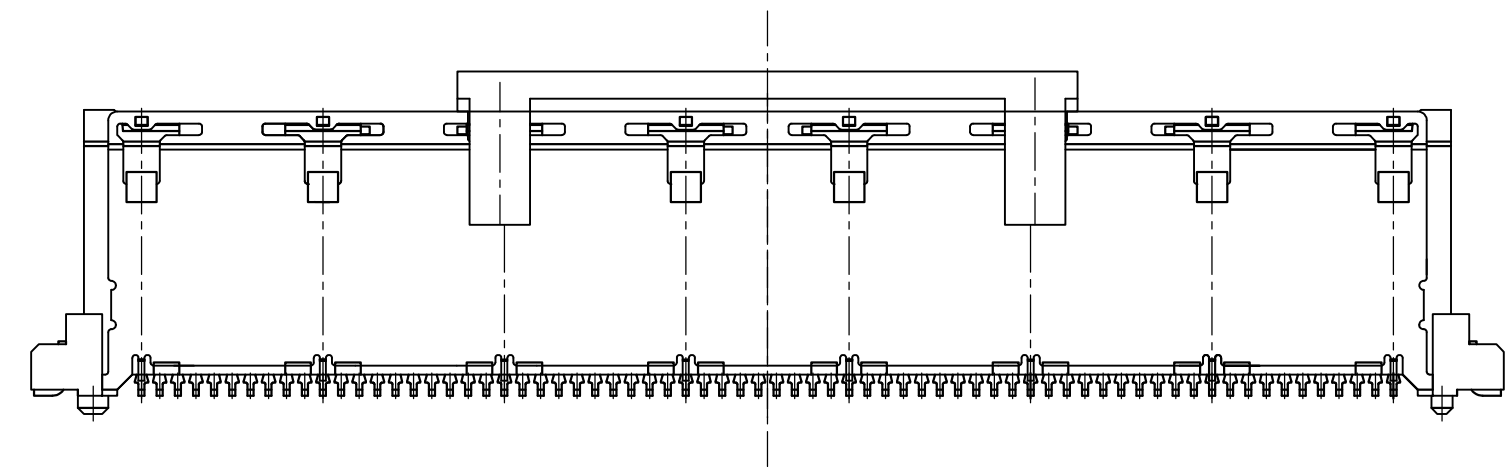
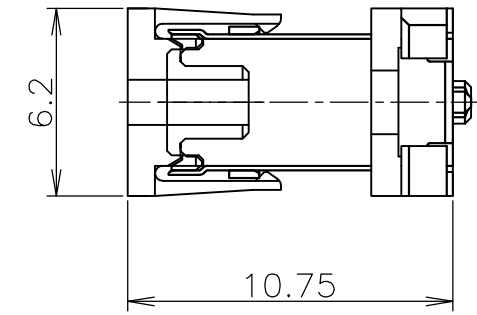
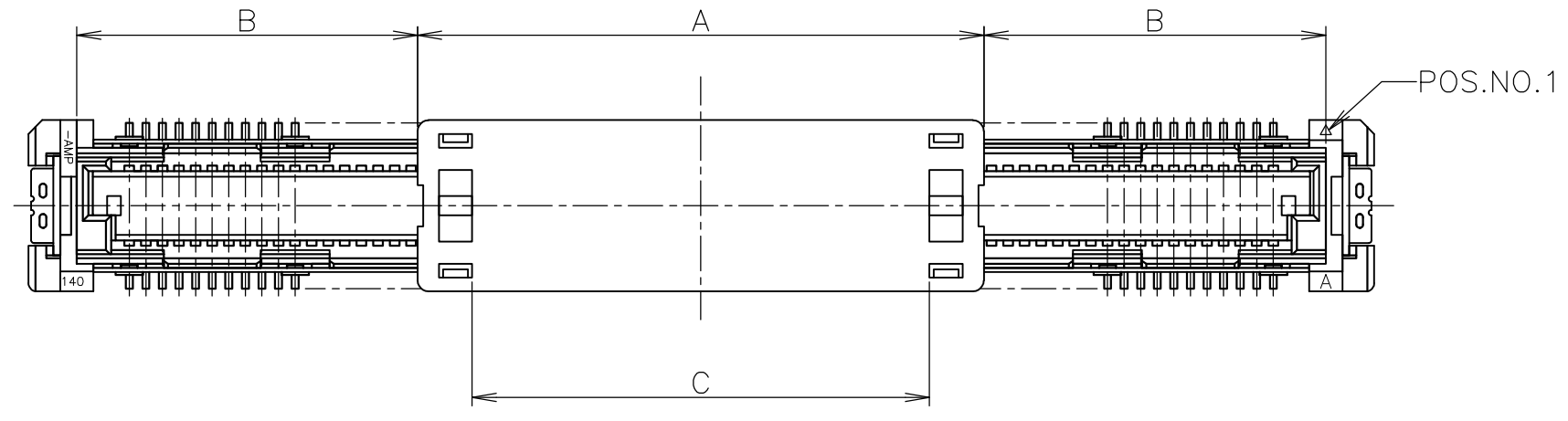
THIS DRAWING IS A CONTROLLED DOCUMENT.

DIMENSIONS: 单位: 耗 mm	TOLERANCES UNLESS OTHERWISE SPECIFIED: 一般公差
	0 PLC ±
	1 PLC ±
	2 PLC ±
	3 PLC ±
	4 PLC ±
	ANGLES ±
MATERIAL 材料	FINISH 仕上

DWN WENKE HE 8JUN05	Tyco Electronics Corporation Kawasaki, Japan
CHK GAVIN ZHANG 8JUN05	
APVD STEVEN YAO 8JUN05	
PRODUCT SPEC 製品規格 108-60047	NAME 名称 SOFT TRAY ASSY FH 0.6BTB CONNECTOR PLUG 10H W/G-PLATE WITH 1ROW CAP
APPLICATION SPEC 取付適用規格 114-5255	SIZE A3
WEIGHT	CAGE CODE 00779
CUSTOMER DRAWING	DRAWING NO 6123845
	RESTRICTED TO
	SCALE 1:2
	SHEET 1 OF 4
	REV A

THIS DRAWING IS UNPUBLISHED. RELEASED FOR PUBLICATION APR , 1998.
 © COPYRIGHT 1998 BY TYCO ELECTRONICS CORPORATION. ALL RIGHTS RESERVED.

LOC	DIST	REVISIONS 変更			DATE	DWN	APVD
J		P	LTR	DESCRIPTION			
			-	SEE SHEET 1	-	-	-



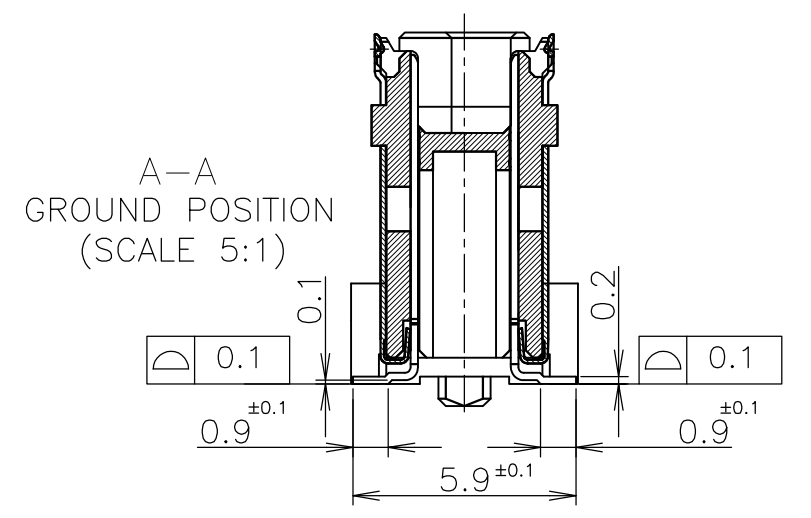
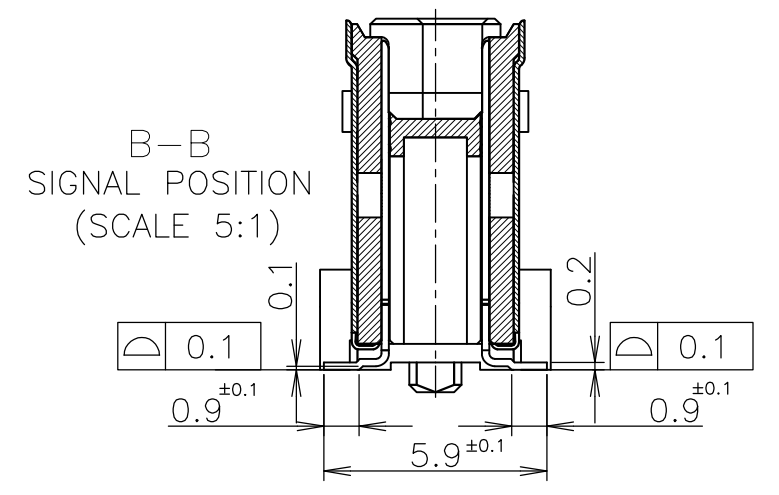
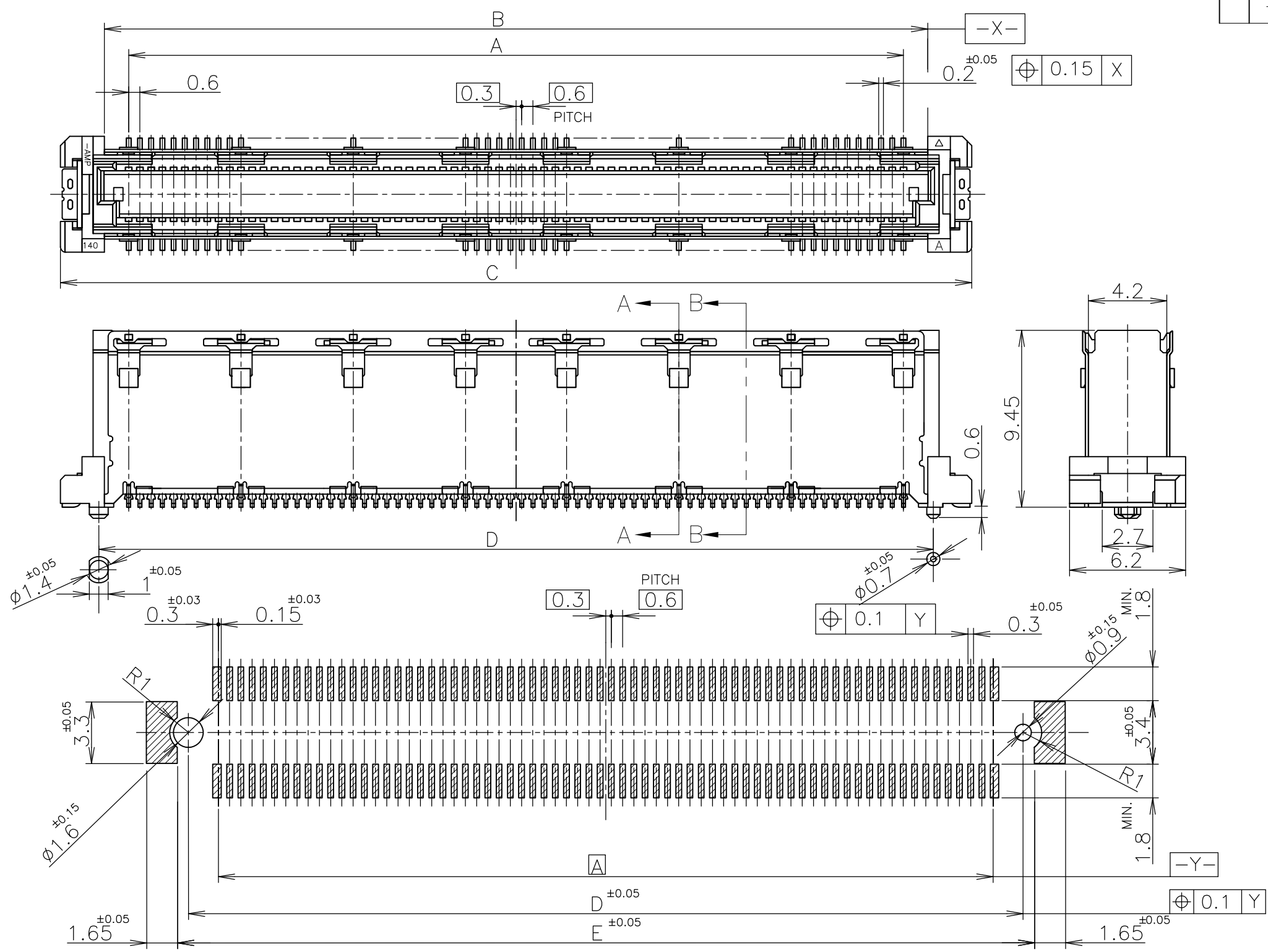
5 CONNECTORS DIMENSION AND REFERENCE P.C BOARD LAYOUT : SEE SHEET 3.

AVAILABLE	16.5	15.4	20.5	160	1123835-1	6-6123845-1
TOOLING STATUS	C	B	A	POS	CAP PART NO.	PART NO.

THIS DRAWING IS A CONTROLLED DOCUMENT.		DWN	Tyco Electronics Corporation Kawasaki, Japan			
DIMENSIONS: 単位: 耗 mm		CHK	NAME 名称			
TOLERANCES UNLESS OTHERWISE SPECIFIED: 一般公差		APVD	SOFT TRAY ASSY FH 0.6BTB CONNECTOR PLUG 10H W/G-PLATE WITH 1ROW CAP			
0 PLC ± - 1 PLC ± - 2 PLC ± - 3 PLC ± - 4 PLC ± - ANGLES ± -		PRODUCT SPEC 製品規格	SIZE	CAGE CODE	DRAWING NO 番号	RESTRICTED TO
MATERIAL 材料		APPLICATION SPEC 取付適用規格	A3	00779	G-6123845	
FINISH 仕上		WEIGHT	CUSTOMER DRAWING		SCALE 尺度 4:1	SHEET 2 OF 4
					REV A	

THIS DRAWING IS UNPUBLISHED. RELEASED FOR PUBLICATION APR, 1998.
 © COPYRIGHT 1998 BY TYCO ELECTRONICS CORPORATION. ALL RIGHTS RESERVED.

LOC	DIST	REVISIONS					
J		P	LTR	DESCRIPTION	DATE	DWN	APVD
			-	SEE SHEET 1	-	-	-



REFERENCE P.C.BOARD LAYOUT

AVAILABLE	51.8	50.6	54.7	50	47.4	160	6-6123845-1
TOOLING STATUS	E	D	C	B	A	POS	PART NO.

GENERAL TOLERANCE
一般公差

10 ≥	±0.2
30 ≥	>10: ±0.25
100 ≥	>30: ±0.3
ANGLES: ±3°	

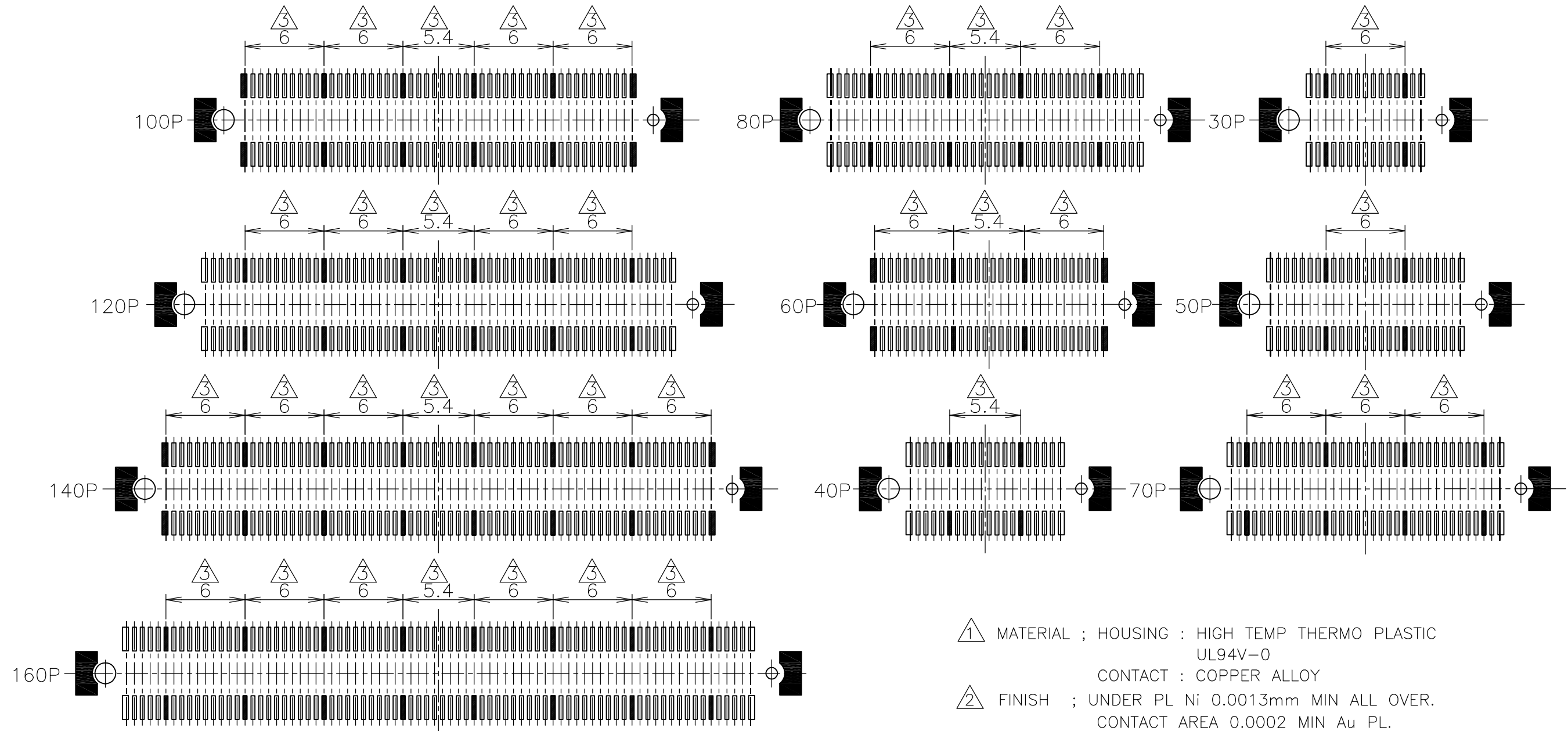
THIS DRAWING IS A CONTROLLED DOCUMENT.

DIMENSIONS: 単位: 耗 mm	TOLERANCES UNLESS OTHERWISE SPECIFIED: 一般公差
0 PLC ± -	1 PLC ± -
2 PLC ± -	3 PLC ± -
4 PLC ± -	ANGLES ± -
MATERIAL 材料	FINISH 仕上

DWN	CHK	APVD	PRODUCT SPEC 製品規格	APPLICATION SPEC 取付適用規格	WEIGHT	Tyco Electronics Corporation Kawasaki, Japan	
NAME 名称						SOFT TRAY ASSY FH 0.6BTB CONNECTOR PLUG 10H W/G-PLATE WITH 1ROW CAP	
SIZE	CAGE CODE	DRAWING NO 番号	RESTRICTED TO		Tyco Electronics Corporation		
A3	00779	G-6123845			CUSTOMER DRAWING		
SCALE 尺度 4:1			SHEET 3 OF 4		REV A		

THIS DRAWING IS UNPUBLISHED. RELEASED FOR PUBLICATION APR , 1998.
 © COPYRIGHT 1998 BY TYCO ELECTRONICS CORPORATION. ALL RIGHTS RESERVED.

LOC	DIST	REVISIONS 変更					
J		P	LTR	DESCRIPTION	DATE	DWN	APVD
			-	SEE SHEET 1	-	-	-



- ① MATERIAL ; HOUSING : HIGH TEMP THERMO PLASTIC UL94V-0
CONTACT : COPPER ALLOY
- ② FINISH ; UNDER PL Ni 0.0013mm MIN ALL OVER.
CONTACT AREA 0.0002 MIN Au PL.
SOLDERING AREA 0.001 MIN TIN PL.
- ③ ■ THIS POSITION IS GROUND CIRCUIT.

GENERAL TOLERANCE
一般公差

10 ≥ : ±0.2
 30 ≥ >10 : ±0.25
 100 ≥ >30 : ±0.3
 ANGLES : ±3°

THIS DRAWING IS A CONTROLLED DOCUMENT.		DWN	Tyco Electronics Corporation Kawasaki, Japan	
DIMENSIONS: 単位: 耗 mm		CHK	NAME 名称	
TOLERANCES UNLESS OTHERWISE SPECIFIED: 一般公差		APVD	SOFT TRAY ASSY FH 0.6BTB CONNECTOR PLUG 10H W/G-PLATE WITH 1ROW CAP	
0 PLC ± - 1 PLC ± - 2 PLC ± - 3 PLC ± - 4 PLC ± - ANGLES ± -		PRODUCT SPEC 製品規格	SIZE	RESTRICTED TO
MATERIAL 材料		APPLICATION SPEC 取付適用規格	CAGE CODE	
FINISH 仕上		WEIGHT	DRAWING NO 番号	
		CUSTOMER DRAWING	A3 00779	G-6123845
		SCALE 尺度	SHEET	REV
		3:1	4 OF 4	A