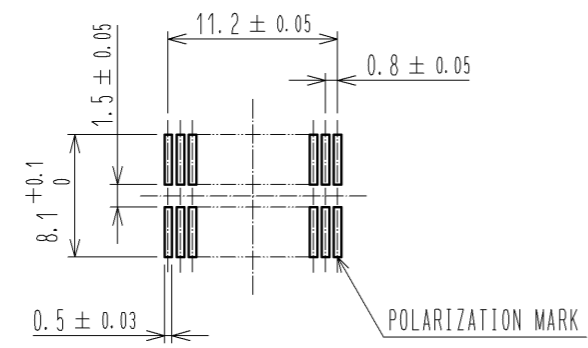
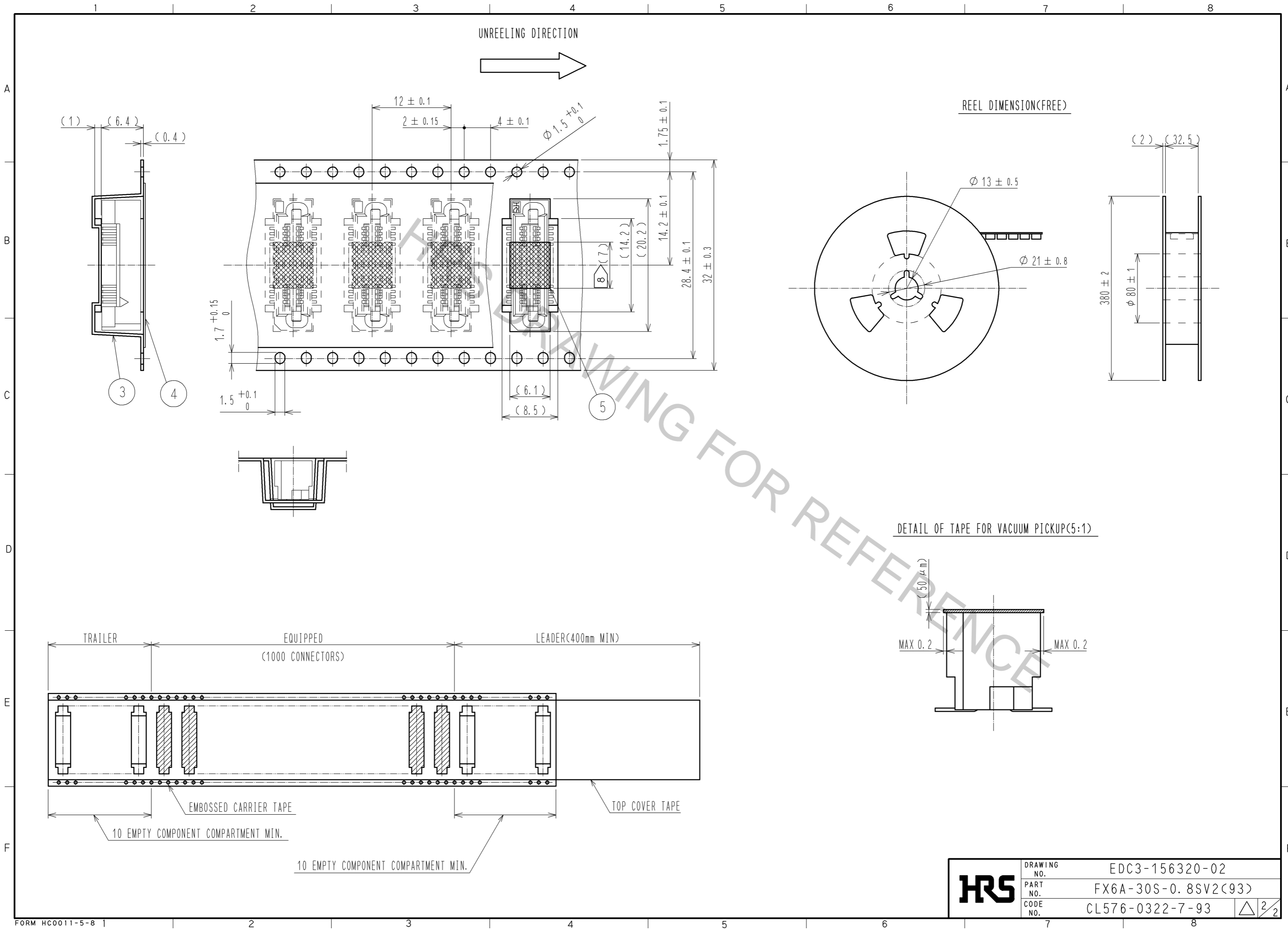


RECOMMENDED LAND PATTERN DIMENSION OF PCB (MOUNTING SIDE)
(METAL MASK THICKNESS: t=0.15)



- NOTE
- ① HRS MARK SHALL BE OPTIONAL.
 - ② LEAD CO-PLANARITY SHALL BE 0.1mm MAX.
 - ③ EMBOSSED CARRIER TAPE PACKAGING SHALL BE APPLIED TO THIS PRODUCT. SEE NEXT PAGE FOR DETAILS.
 - ④ THIS PRODUCT HAS TAPE FOR VACUUM PICKUP. SEE NEXT PAGE FOR DETAIL OF STICKING POSITION, ETC.
 - ⑤ FOR MODIFICATION, ETC. PREVENTIVE HOLE FOR SINK MARK MAY BE ADDED ACCORDING TO CIRCUMSTANCES.
 - ⑥ THE DIMENSIONS IN PARENTHESES ARE FOR REFERENCE.
 - ⑦ 1 REEL : 1000 CONNECTORS.
 - ⑧ REMOVE THE VACUUM PICKUP TAPE AFTER MOUNTING THE CONNECTOR.

2	PHOSPHOR BRONZE	CONTACT AREA: GOLD 0.1 μm min.	5	POLYIMIDE	(TAPE FOR VACUUM PICKUP)			
		LEAD AREA: TIN-PLATING 1 μm min.		4	POLYESTER	(COVER TAPE)		
1	PPS	LIGHT BROWN (UL94V-0)	3	POLYSTYRENE	(EMBOSSED CARRIER TAPE)			
NO.	MATERIAL	FINISH . REMARKS	NO.	MATERIAL	FINISH . REMARKS			
UNITS mm		SCALE 2 : 1	COUNT 	DESCRIPTION OF REVISIONS		DESIGNED	CHECKED	DATE
HRS HIROSE ELECTRIC CO., LTD.		APPROVED : HS. OKAWA	13.08.28	DRAWING NO. EDC3-156320-02				
		CHECED : HT. YAMAGUCHI	13.08.27	PART NO. FX6A-30S-0.8SV2(93)				
		DESIGNED : TH. SANO	13.08.27	CODE NO. CL576-0322-7-93				
		DRAWN : TH. SANO	13.08.27					



HRS	DRAWING NO.	EDC3-156320-02	$\triangle \frac{2}{2}$
	PART NO.	FX6A-30S-0.8SV2(93)	
	CODE NO.	CL576-0322-7-93	