

## D-SUB contact support - VS-25-BU-DSUB-5P - 1689983

Please be informed that the data shown in this PDF Document is generated from our Online Catalog. Please find the complete data in the user's documentation. Our General Terms of Use for Downloads are valid (<http://phoenixcontact.com/download>)



D-SUB contact carrier, shell size 3, accommodation for five combined contacts, contact type socket, straight, fixing with a 3 mm hole, for panel mounting frame and sleeve housing VS-25-...



### Key commercial data

|                                      |          |
|--------------------------------------|----------|
| Packing unit                         | 1 pc     |
| Weight per Piece (excluding packing) | 8.48 GRM |
| Custom tariff number                 | 85369010 |
| Country of origin                    | Germany  |

### Technical data

#### Mechanical characteristics

|                             |                                    |
|-----------------------------|------------------------------------|
| Number of positions         | 5                                  |
| Insertion/withdrawal cycles | ≥ 500                              |
| Connection method           | Fitting to accept combined contact |

#### Ambient conditions

|                                 |                   |
|---------------------------------|-------------------|
| Ambient temperature (operation) | -55 °C ... 125 °C |
|---------------------------------|-------------------|

#### Material data

|   |                         |
|---|-------------------------|
| Inflammability class according to UL 94 | V0                      |
| Housing material                        | Steel, yellow chromated |
| Contact carrier material                | PBTP                    |
| Contact surface material                | Gold over nickel        |

### Classifications

eCl@ss

|            |          |
|------------|----------|
| eCl@ss 4.0 | 27140816 |
|------------|----------|

## D-SUB contact support - VS-25-BU-DSUB-5P - 1689983

### Classifications

#### eCl@ss

|            |          |
|------------|----------|
| eCl@ss 4.1 | 27260701 |
| eCl@ss 5.0 | 27260701 |
| eCl@ss 5.1 | 27260701 |
| eCl@ss 6.0 | 27261203 |
| eCl@ss 7.0 | 27440202 |
| eCl@ss 8.0 | 27440202 |

#### ETIM

|          |          |
|----------|----------|
| ETIM 2.0 | EC000437 |
| ETIM 3.0 | EC000437 |
| ETIM 4.0 | EC000437 |
| ETIM 5.0 | EC000437 |

#### UNSPSC

|               |          |
|---------------|----------|
| UNSPSC 6.01   | 30211923 |
| UNSPSC 7.0901 | 39121522 |
| UNSPSC 11     | 39121522 |
| UNSPSC 12.01  | 39121522 |
| UNSPSC 13.2   | 39121522 |

### Approvals

#### Approvals

---

#### Approvals

#### GOST

---

#### Ex Approvals

---

#### Approvals submitted

---

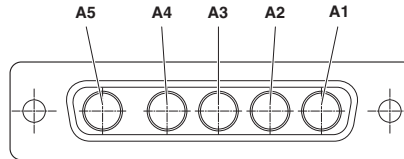
#### Approval details

|  |
|--|
| GOST  |
|--|

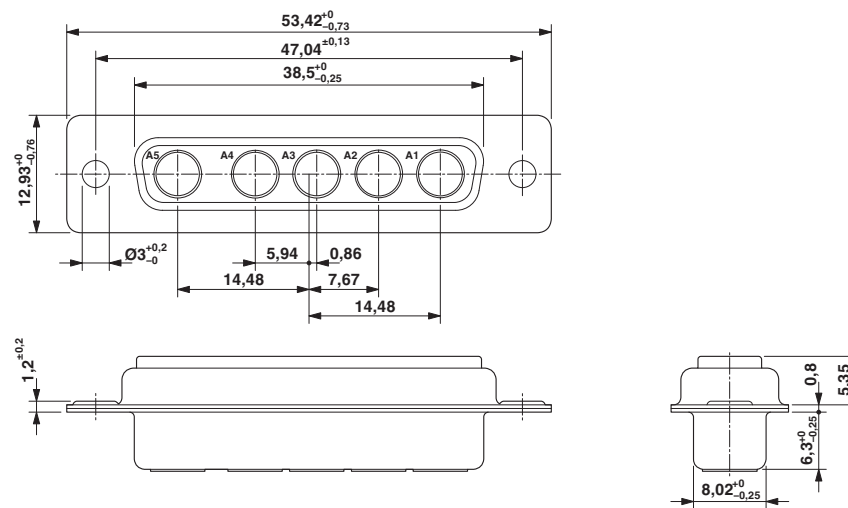
# D-SUB contact support - VS-25-BU-DSUB-5P - 1689983

## Drawings

Schematic diagram



Dimensioned drawing



D-SUB contact carrier