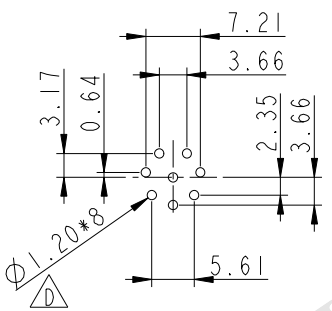
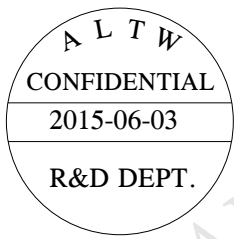
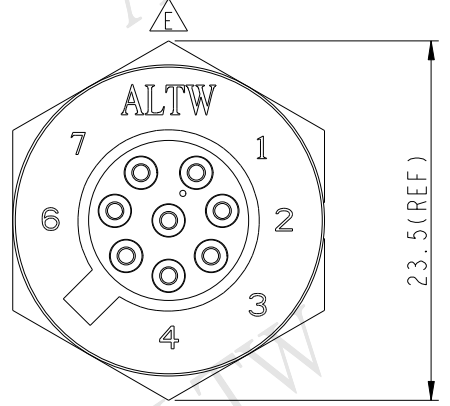
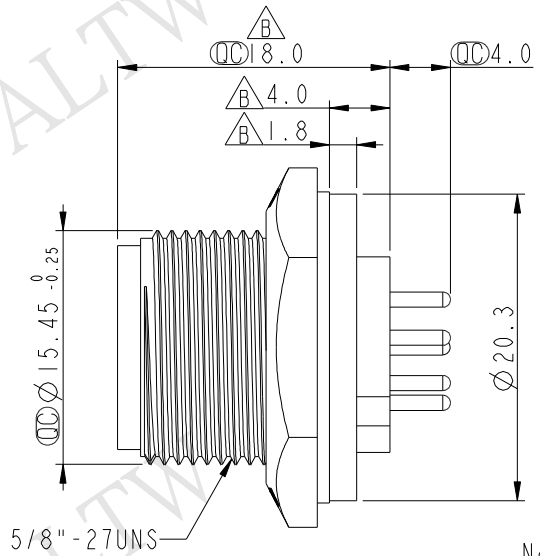
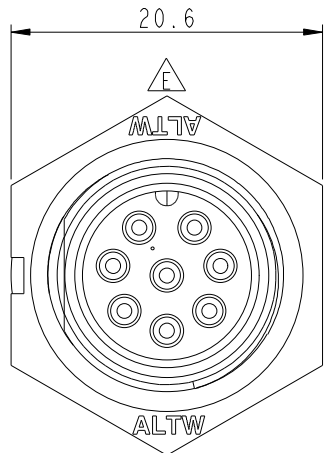


REV.	ECN NO.	DATE	SIGN	DESCRIPTION
C	LEN-8B0527	2008/09/17	Shin	Add Note
D	LEN12B0050	2012/11/09	Sam	Modify PCB Layout
E	LEN15A0323	2015/06/03	Jinhai	Change Logo

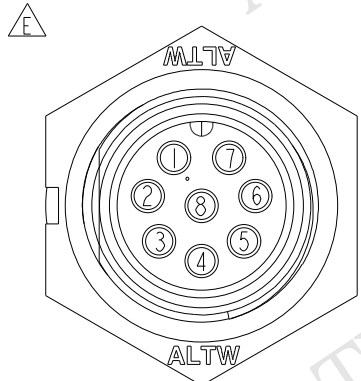
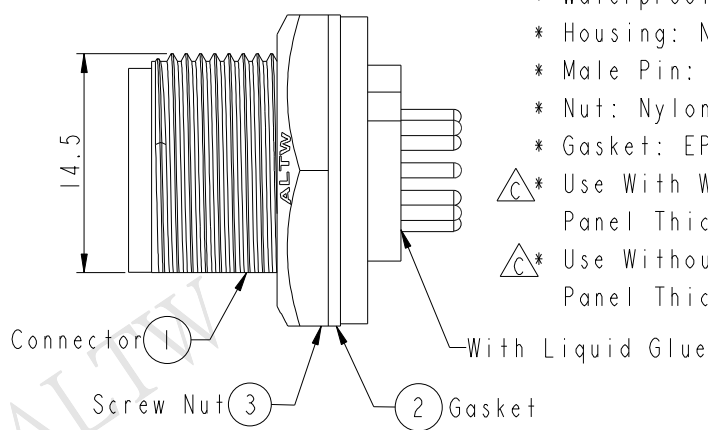


8 Pin Male Connector
Male Pin PCB Layout

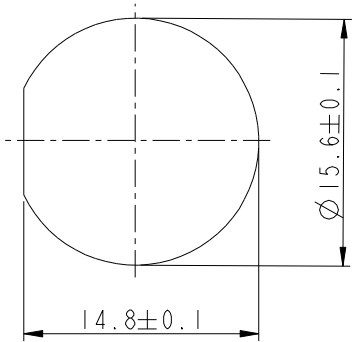


Note:

- * CC Important Dimension To Check.
- * Waterproof Rate: IP67
- * Housing: Nylon+GF, Black
- * Male Pin: Copper Alloy, Gold Plated
- * Nut: Nylon+GF, Black
- * Gasket: EPDM, Black
- $\triangle C$ * Use With Waterproof Cap Or Dust Cap
Panel Thickness Max: 3.0mm
- $\triangle C$ * Use Without Waterproof Cap Or Dust Cap
Panel Thickness Max: 4.0mm



Pin Assignments
Front View



Recommended Panel Cut-out

UNIT:mm	
TOLERANCE	
.X	±0.25
.XX	±0.1
.XXX	±0.05
ANGLES	±1°

TITLE Standard Panel Screw 8Pin M Conn M Pin			
SCALE 2:1	SIZE A4	SHEET 1 OF 1	
REV. E	WC-REV. B.3	CC : Inspection item	

Amphenol LTW
安費諾亮泰企業股份有限公司

ITEM NO BD-08PMMP-SC7001	DRAWN BY Jinhai	DATE 2015-06-03
DWG NO BD-08PMMP-SC7001	CHECKED BY Tom	DATE 2015-06-03
CUSTOMER ALTW	APPROVED BY Jerry	DATE 2015-06-03

THIS DOCUMENT IS SUBJECT TO CHANGE WITHOUT NOTICE. IT IS CONFIDENTIAL AND A PROPERTY OF Amphenol LTW. DISCLOSURE TO THIRD PARTY HAS TO BE AUTHORIZED BY Amphenol LTW.