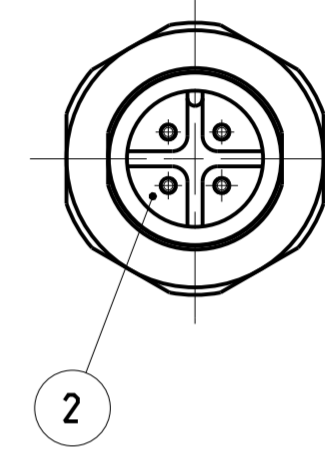
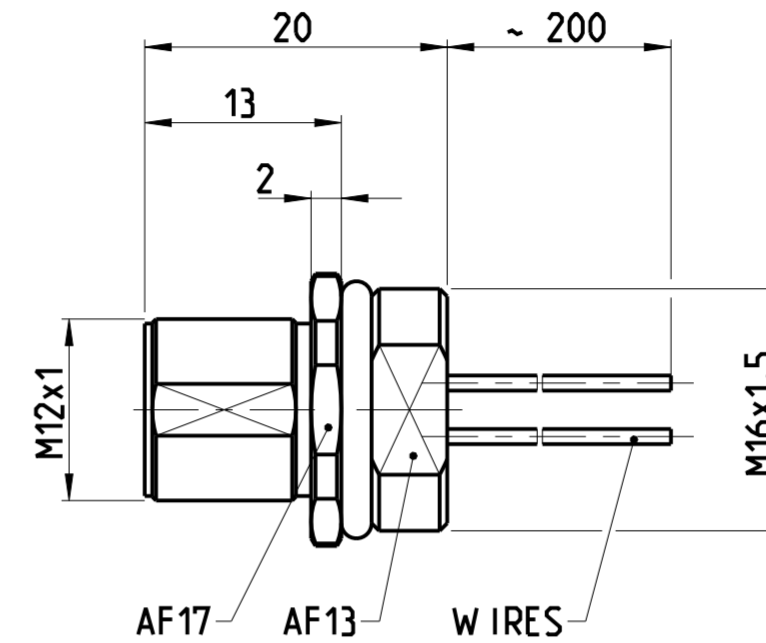
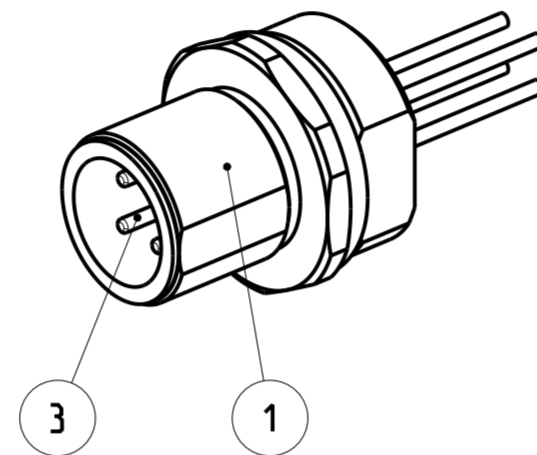
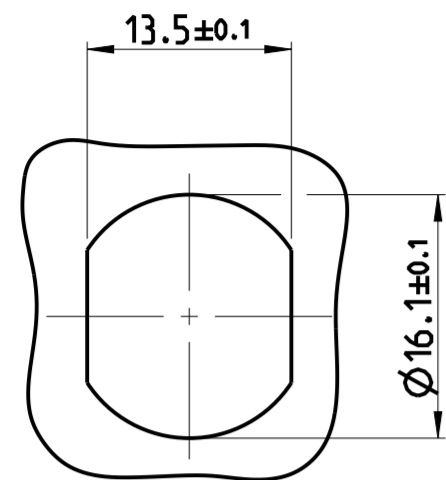


THIS DRAWING IS UNPUBLISHED. VERTRAULICHE UNVERPFLICHTETE ZEICHNUNG. RELEASED FOR PUBLICATION FREI FÜR VERÖFFENTLICHUNG. 2014. DATED WITH PASSEND ZU.

PROJECT NO.: PRJ-14-00000805

P	LTR	REVISIONS ÄNDERUNGEN DESCRIPTION BESCHREIBUNG	DATE	DWN	APVD
	A1	DRAWING PUBLISHED	09 JUN 2014	YR	CS

RECOMMENDED CUT-OUT



TECHNICAL DATA	3-2271134-2	4-2271134-2	5-2271134-2	6-2271134-2
RATED VOLTAGE	250V	125V	60V	30V
RATED IMPULSE VOLTAGE	2500V	1500V	800V	500V
POLLUTION DEGREE	3	3	3	3
OVERVOLTAGE CATEGORY	II	II	II	II
MATERIAL GROUP	II	II	II	II
RATED CURRENT	4A	4A	2A	2A
VOLUME RESISTIVITY	≤ 3mΩ	≤ 3mΩ	≤ 3mΩ	≤ 3mΩ
DEGREE OF PROTECTION	IP68	IP68	IP68	IP68
UPPER TEMPERATURE	+85 °C	+85 °C	+85 °C	+85 °C
LOWER TEMPERATURE	-40 °C	-40 °C	-40 °C	-40 °C

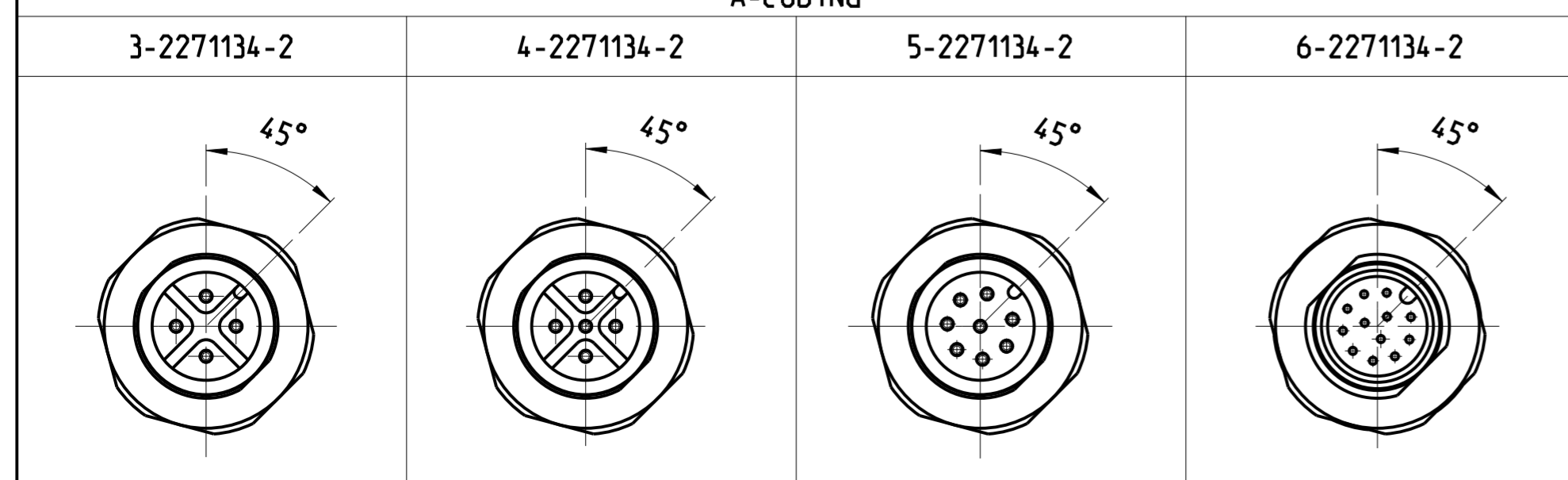
- ⚠ MATERIAL: ITEM NO. 1: HOUSING - ZINC DIE-CAST FINISH: NICKEL-PLATED
- ITEM NO. 2: CONTACT BODY - PA
- ITEM NO. 3: CONTACT - CuZn FINISH: Au

- 2 ALL DIMENSIONS ARE FOR NOMINAL REFERENCE ONLY UNLESS OTHERWISE STATED
- 3 MEASUREMENT REFERENCE ONLY
- 4 PACKAGING: 1 PIECE IN A BAG

3--2 AS SHOWN WIE GEZEICHNET

WIRES AWG / mm²	MATERIAL	NUMBER OF POLES	TE-PART-NO.
26 / 0.14mm²	⚠	12	6-2271134-2
24 / 0.25mm²	⚠	8	5-2271134-2
24 / 0.25mm²	⚠	5	4-2271134-2
24 / 0.25mm²	⚠	4	3-2271134-2

PIN ARRANGEMENT A-CODING



SIZE ISO 14405 (E)

DIESE ZEICHNUNG IST EIN KONTROLLIERTES DOKUMENT. BEMASSUNGEN UND TOLERANZEN GEMAESS GPS (ISO STANDARDS).

THIS DRAWING IS A CONTROLLED DOCUMENT. DIMENSIONING AND TOLERANCING PER GPS (ISO STANDARDS).

DIMENSIONS: MASSE/MASSEN: IT/IT1	TOLERANCES UNLESS OTHERWISE SPECIFIED: ALLGEMEINTOLERANZEN	DWN YASHKUMAR 09 JUN 2014	CHK M.STRELOW 09 JUN 2014	APVD C.SCHREITLINGER 09 JUN 2014
MATERIAL	FINISH/OBERFLAECHE/FARBE	NAME	M12 MALE PANEL MOUNT CONNECTOR A-CODING	
		SIZE	CAGE CODE	DRAWING NO. ZEICHNUNGS-NR.
		A2	00779	G-2271134
		Customer Drawing	/KUNDENZEICHNUNG	SCALE MASSSTAB 2:1 SHEET BLATT 1 OF 1 REV A1

RESTRICTED TO MUR FÜR