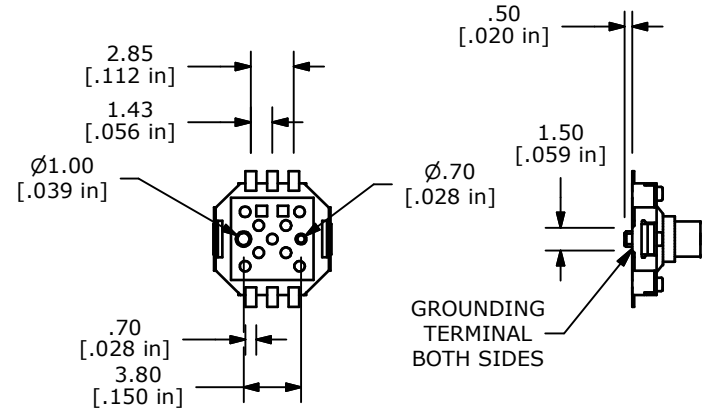
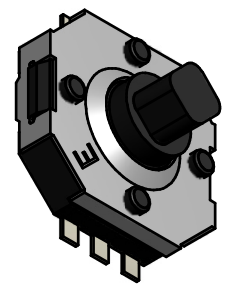
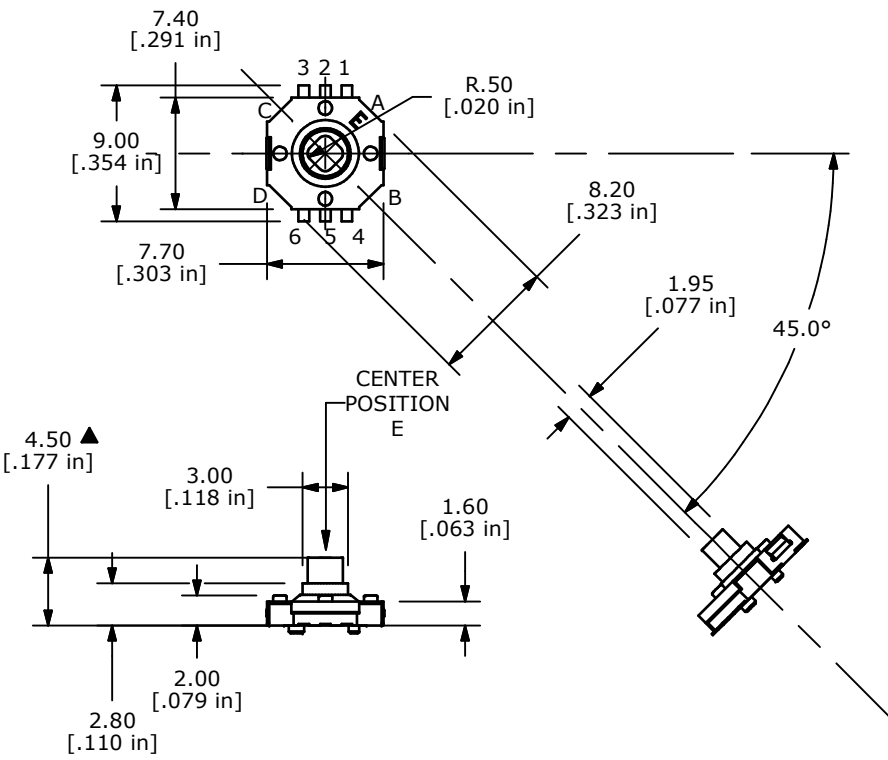


▲ CIRCUIT DIAGRAM


OPERATING POSITION	CIRCUIT
A	⑤-①
B	⑤-④
C	⑤-③
D	⑤-⑥
CENTER PUSH	⑤-②

NOTES:

1. RATING: 12V DC 50mA MAX.
2. CONTACT RESISTANCE: 100mΩ MAX.
3. OPERATING FORCES:
 CENTER PUSH: 360 ± 60gf
 STROKE: 0.25 +0.1/-0.2 mm
 4-WAY DIRECTION: 160 ± 50gf
 TRAVEL: 5° +2.5°/-1°
4. LIFE CYCLES: 100,000
5. INSULATION RESISTANCE 100MΩ @ 100VDC
6. DIELECTRIC STRENGTH: 250VAC FOR 1 MINUTE.
7. OPERATING TEMPERATURE: -25°C TO +70°C
8. STORAGE TEMPERATURE: -40°C TO +85°C
9. GENERAL TOLERANCE: ± 0.3
10. 2002/95/EC (ROHS) COMPLIANT
11. ▲ DENOTES CRITICAL PARAMETER.



REV	PCR NO	DESCRIPTION	DATE	BY
C	21146	CORRECT CIRCUIT TABLE	6/3/13	EBP
B	19637	DRAWING CLEAN-UP	02/01/11	BMA
A	18745	New-Release	12/3/09	rc



E-SWITCH®

TITLE JS1400AFQ				
SCALE 2=1	DATE 12/4/2009	DR rc	DWG N211125	REV C

THE INFORMATION CONTAINED IN THIS DOCUMENT IS PROPRIETARY TO E-SWITCH AND IS NOT TO BE COPIED OR TRANSFERRED