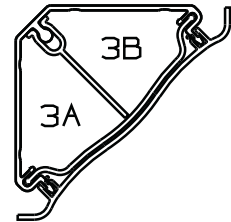
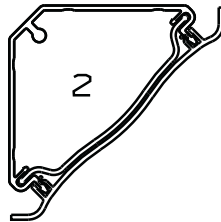
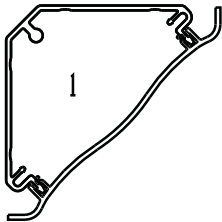
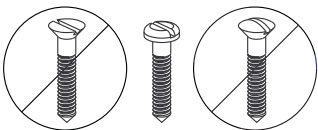


RACEWAY CHANNEL WIRE CONFIGURATION	FILL AREA (IN <sup>2</sup> )	SEE FILL #	Electrical Cables			Data Grade Cable				Coax Cable		Fiber Optic Cable	
			AWG			24 AWG/UTP CM				RG6		2 Strand	
			14	12	10	Cat 5 4 pr.		Cat 6 4 pr.					
			THHN/T90			Cat 5 4 pr.		Cat 6 4 pr.					
			Dia=0.105	Dia=0.122	Dia=0.153	Dia=0.217	Dia=0.250	Dia=0.275	Dia=0.175				
			FILL			SPEC	MAX	SPEC	MAX	SPEC	MAX	SPEC	MAX
			MAX	MAX	MAX	(40%)	(60%)	(40%)	(60%)	(40%)	(60%)	(40%)	(60%)
<b>WIRE FILL #1: WCM35 WITH NO DEVICES</b>	5.4	1	50	40	30	58	87	44	66	46	70	89	134
<b>WIRE FILL #2: WCM35 USING WIRE RETAINER NO DEVICES</b>	5.0	2	50	40	30	54	81	41	61	43	65	83	124
<b>WIRE FILL #3: POWER AND DATA USING WIRE RETAINER AND DIVIDER WALL</b>	2.4	3A	..	..	..	25	38	19	28	13	19	39	58
	2.4	3B	30	25	20	..	..	..	..	..	..	..	..

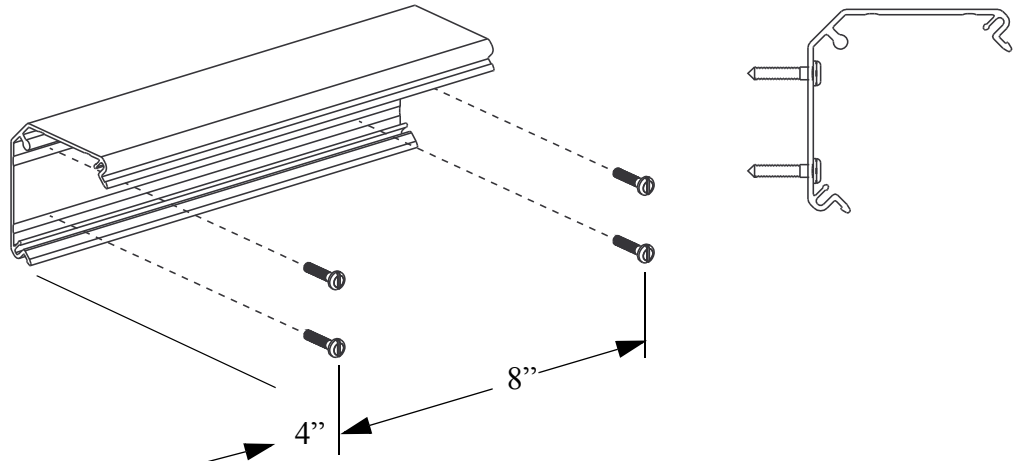
\* WIRES NOT BUNDLED



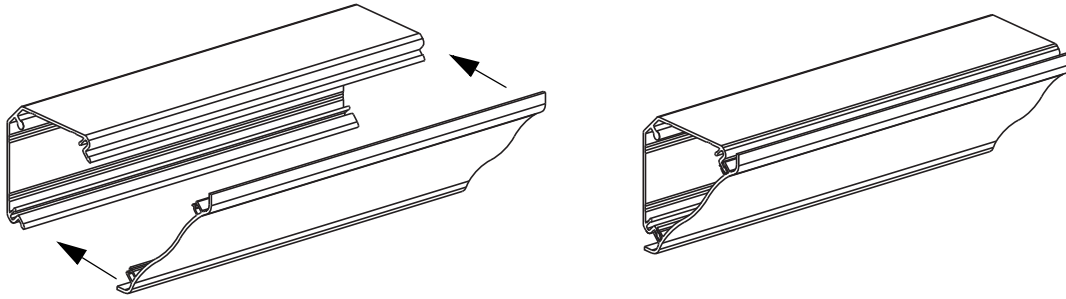
### BASE & COVER



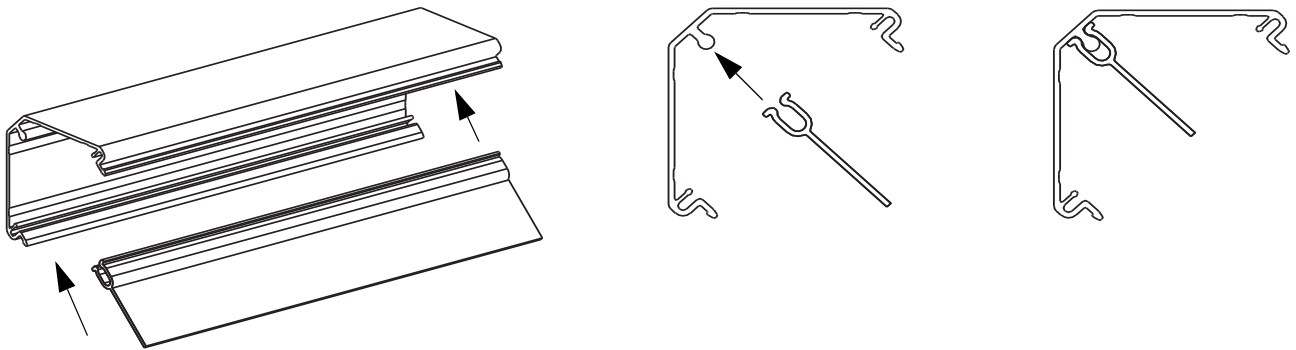
THE MOUNTING HARDWARE USED TO SECURE THE RACEWAY SHALL BE APPROPRIATE FOR THE MOUNTING SURFACE. USE #10 SCREWS.



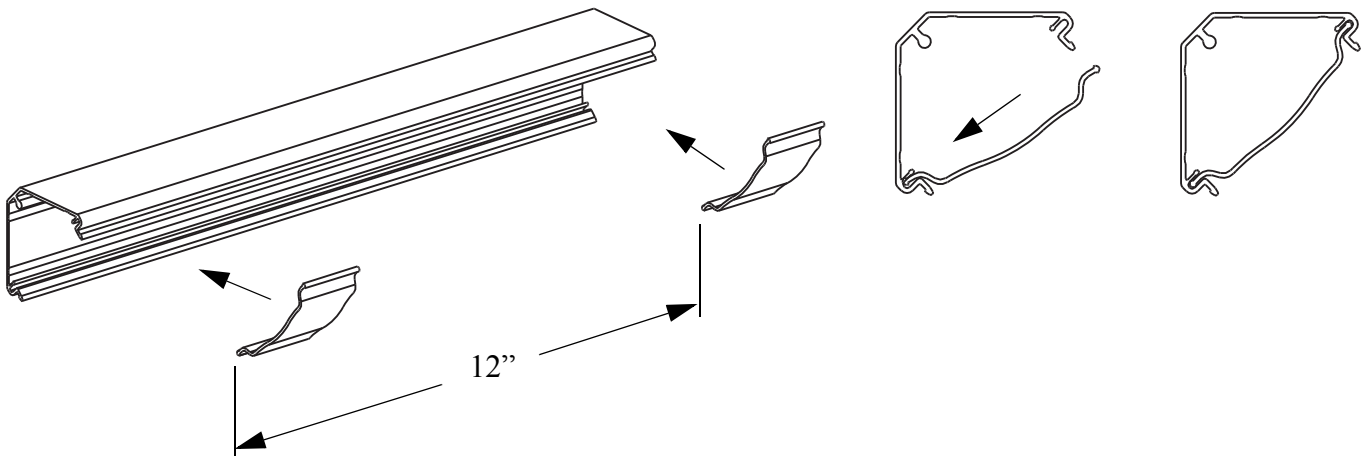
**BASE & COVER continued**



**DIVIDER WALL**



**WIRE RETAINER**



<p>For Instructions in Local Languages and Technical Support: <a href="http://www.panduit.com/resources/install_maintain.asp">www.panduit.com/resources/install_maintain.asp</a></p>	<p><b>PANDUIT</b> <a href="http://www.panduit.com">www.panduit.com</a></p>	<p><b>E-mail:</b> <a href="mailto:techsupport@panduit.com">techsupport@panduit.com</a> <b>Phone:</b> 866-405-6654</p>
--	--	---