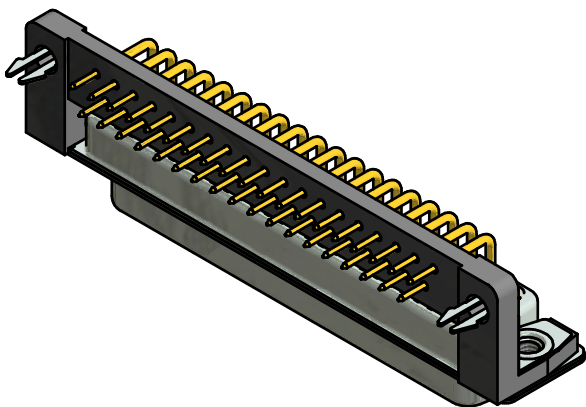


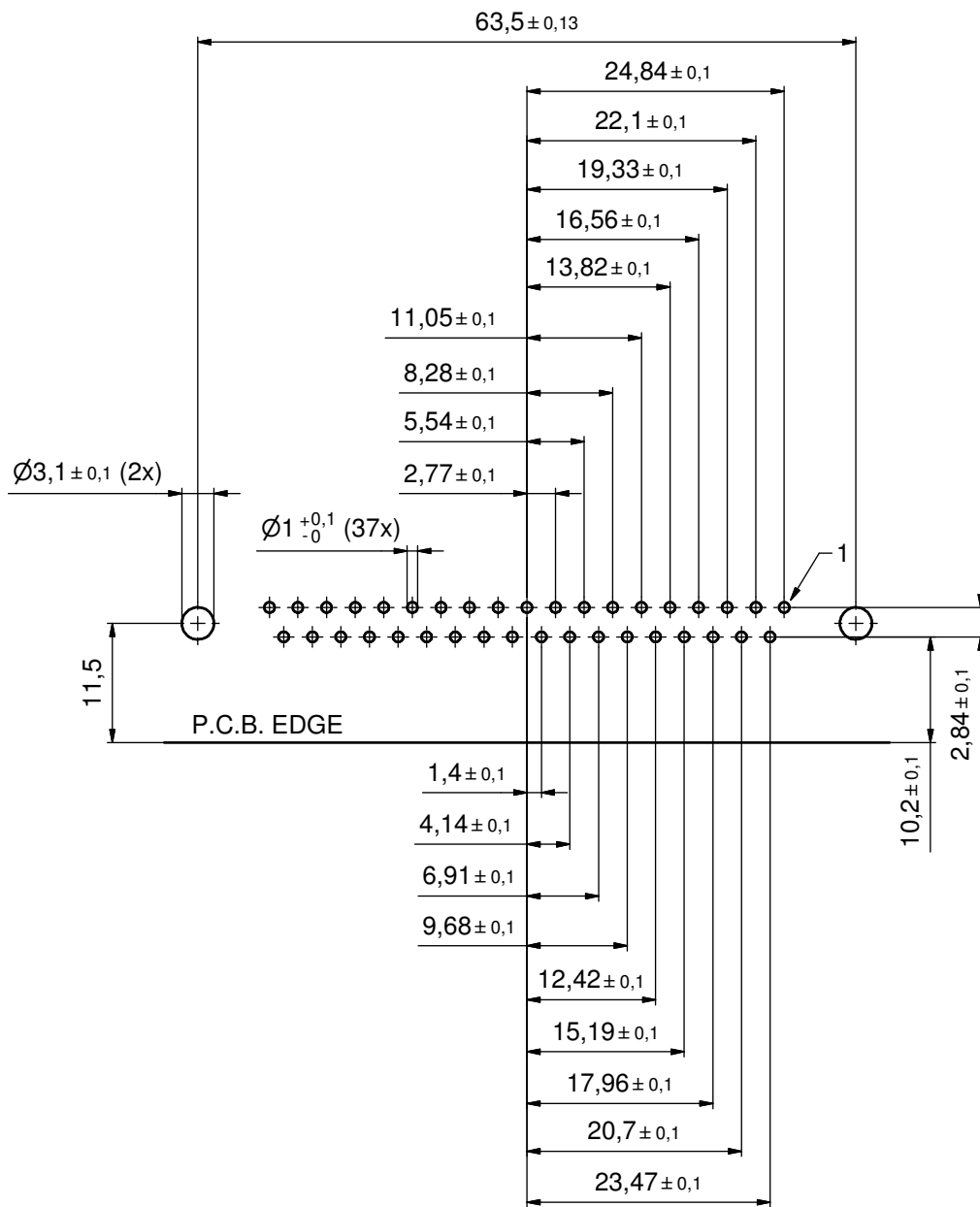
**NOTES:**

1. SUITABLE FOR WAVESOLDERING (SOLDER BATH TEMPERATURE 260°C FOR 5 SEC AND SOLDER PREHEAT 100°C FOR 30 SEC.)
2. METALSHELL: STEEL; min. 315µin TIN over 40-80µin NICKEL
3. INSULATORS: HIGH TEMPERATURE PLASTIC UL 94 V-0, BLACK
4. CONTACTS: COPPER ALLOY; PLATING (SEE PART No.):
  - PLEASE ADD A for GOLD FLASH over NICKEL (PREFERRED TYPE)
  - PLEASE ADD B for 20µin HARD GOLD over min. 50µin NICKEL
  - PLEASE ADD C for 30µin HARD GOLD over min. 50µin NICKEL
 CONTACT TAILS PRETINNED
5. MOUNTING BRACKET: HIGH TEMPERATURE PLASTIC UL 94 V-0; BLACK
6. THREADED INSERTS: COPPER ALLOY; min. 200µin TIN over 80µin NICKEL
7. GROUNDING CLIPS: COPPER ALLOY; PCB-HOLE: Ø3,1±0,1; THICKNESS 1,6mm
8. CAPACITANCE: 1300pF±20%
9. DIELECTRIC WITHSTANDING VOLTAGE: 424 VDC
10. P.B.C. HOLE DRILLINGS ON SHEET 2
11. MAXIMUM TORQUE VALUE FOR THREAD: 6 in.LB
12. CONNECTOR IS PART MARKED: **242□13010X CONEC ABC** (see note 4)




Directive 2002/95/EC RoHS compliant

THIS DRAWING MAY NOT BE COPIED OR REPRODUCED IN ANY WAY, AND MAY NOT BE PASSED ON TO A THIRD PARTY WITHOUT WRITTEN PERMISSION. OWNERSHIP AND COPYRIGHT OF CONEC GmbH DO NOT ALTER CAD DRAWING BY HAND	tolerance		dim. in mm	scale: 2:1 (5:1)		
				material: SEE NOTES		
	drawn	07.10.14	Henneboel		title: <b>D-SUB C-FILTER FEMALE 90°</b> 37pos. SOLDER PIN ANGLED 0.370inch threaded insert, mounting bracket, grounding clip	
	appd.	07.10.14	Lehmenkühler			
norm		d-old				
rev.	a	Original			dwg no: 24K1A1558	DIN-A3
description					part no: 242□13010X (see note 4)	sh: 1/2



P.C.B. HOLE DRILLINGS  
(P.C.B. TOP SIDE)

THIS DRAWING MAY NOT BE COPIED OR REPRODUCED IN ANY WAY, AND MAY NOT BE PASSED ON TO A THIRD PARTY WITHOUT WRITTEN PERMISSION. OWNERSHIP AND COPYRIGHT OF CONEC GmbH  DO NOT ALTER CAD DRAWING BY HAND				tolerance		scale: 3:1
				dim. in mm		material: SEE SHEET 1
	drawn	date	name	title:		
	07.10.14	Henneboel		P.C.B. HOLE DRILLINGS		
	appd.	date	name	D-SUB C- FILTER FEMALE 90° 37pos. 0.370inch		
	07.10.14	Lehmenkühler		threaded insert, mounting bracket, grounding clip		
	norm			dwg no:		
d-old			24K1A1558			
rev.	description	date	name	<b>CONEC</b> <sup>®</sup>		DIN-A3
a	Original					sh: 2/2
			part no: SEE SHEET 1			