

THIS DRAWING IS UNPUBLISHED. RELEASED FOR PUBLICATION
 © COPYRIGHT - By - ALL RIGHTS RESERVED.

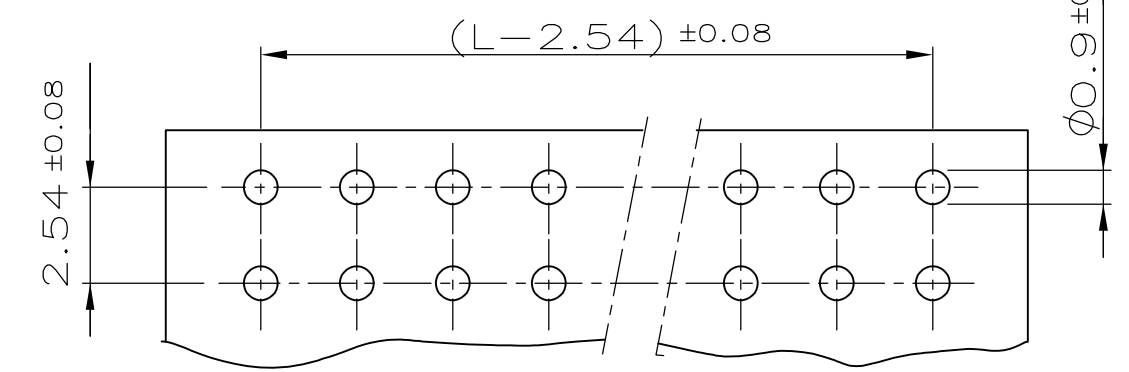
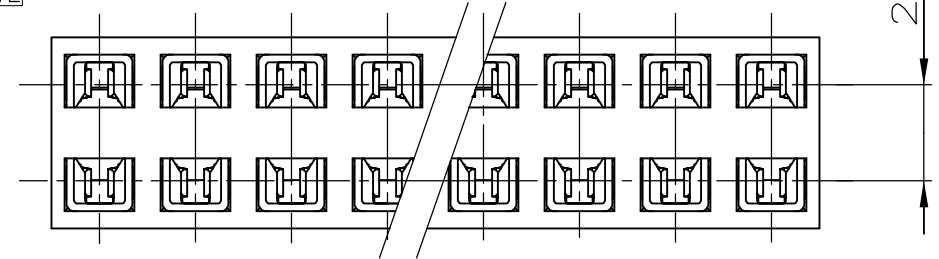
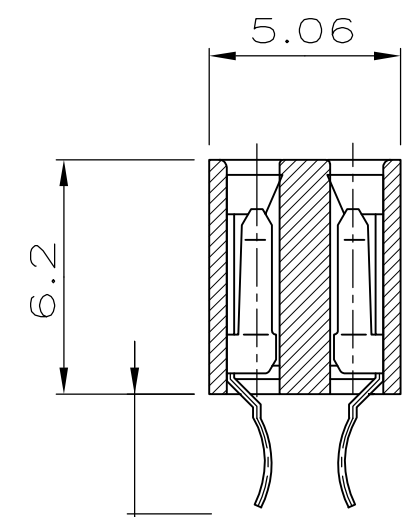
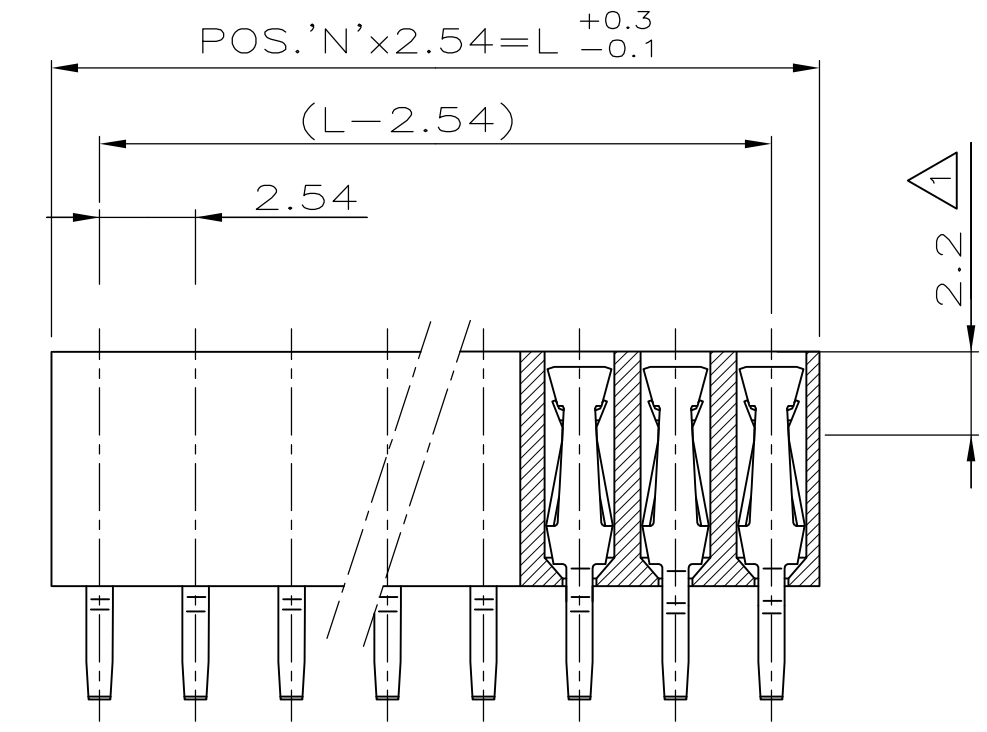
LOC	DIST	REVISIONS			
P	LTR	DESCRIPTION	DATE	DWN	APVD
A1	-				
	D	Hsg mat change to readily available PBT resin	03JAN2014	PS	JK

POS. PER ROW 'N'	L	PART NUMBER	
-	-	-	
2	5.08	829 095 -2	△
3	7.62	-3	
4	10.16	-4	△
5	12.70	-5	
6	15.24	-6	
7	17.78	-7	
8	20.32	-8	△
9	22.86	-9	
10	25.40	-0	△
11	27.94	1-	-1
12	30.48	1-	-2
13	33.02	1-	-3
14	35.56	1-	-4
15	38.10	1-	-5
16	40.64	1-	-6
17	43.18	1-	-7
18	45.72	1-	-8
19	48.26	1-	-9
20	50.80	2-	-0
21	53.34	2-	-1
22	55.88	2-	-2
23	58.42	2-	-3
24	60.96	2-	-4
25	63.50	2-	-5
26	66.04	2-	-6
27	68.58	2-	-7
28	71.12	2-	-8
29	73.66	2-	-9
30	76.20	3-	-0
31	78.74	3-	-1
32	81.28	3-	-2
33	83.82	3-	-3
34	86.36	3-	-4
35	88.90	3-	-5
36	91.44	3- 829 095 -6	△

OBSOLETE

OBSOLETE

OBSOLETE



P.C.-BOARD HOLE-PATTERN

NOTES

- 1 CONTACT POINT
- 2 PLATING: UNDER COATING: 1,3µm Ni.
AT CONT.PLACE: 0,8µm Au.
AT SOLDER-TYNES: 3,0-5,0µm Sn
- 3. RECOMMENDED P.C.BOARD-THICKNESS: 1,6mm.
- 4. MATES WITH 0,63 SQUARE/ROUND MODU POSTS.
- 5. HV100 CONNECTOR PACKED IN ANTI-STATIC BLISTER TRAY
- 6 OBSOLETE PARTS: OBSOLETE CIS STREAMLINING PER D.RENAUD/D.SINISI
- 7 OBSOLETE

THIS DRAWING IS A CONTROLLED DOCUMENT.

DIMENSIONS: mm	TOLERANCES UNLESS OTHERWISE SPECIFIED: ±0.15
	0 PLC ± - 1 PLC ± - 2 PLC ± - 3 PLC ± - 4 PLC ± - ANGLES ± -
MATERIAL SEE TABLE	FINISH SEE TABLE

DWN	A.HO	29.10.87
CHK	M.SCHAARSCHMIDT	29.10.87
APVD	-	-
PRODUCT SPEC	108-19056	-
APPLICATION SPEC	-	-
WEIGHT	-	-



HV100 CONN. VERTICAL, 6.2mm TOP ENTRY, DUAL ROW, GOLD

HV 100 CONTACT	Cu Sn	△ 2
HV 100 HOUSING	PBT	GREEN
DESCRIPTION	MATERIAL	FINISH/COLOR

NAME	SIZE	CAGE CODE	DRAWING NO	RESTRICTED TO
	A3	00779	C-829095	-
CUSTOMER DRAWING	SCALE	SHEET	REV	
	5:1	1 OF 1	D	