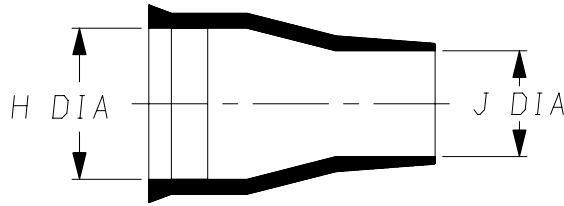
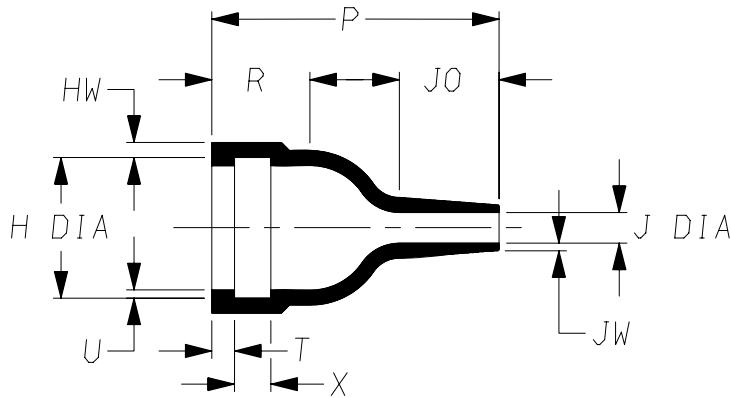


a) Part as supplied

204W221-12-G03



b) Part after unrestricted recovery.



DIMENSIONS in millimetres
(in inches, for reference)

| Part Number | H | | J | | P | R | T | U | X | JO | HW | JW |
|----------------|--------------|---------------|---------------|---------------|--------------|---------------|---------------|----------------|---------------|---------------|---------------|---------------|
| | Min | Max | Min | Max | ±10% | ±10% | ±10% | ±10% | ±10% | ±10% | ±20% | ±20% |
| | a | b | a | b | b | b | b | b | b | b | b | b |
| 204W221-12-G03 | 11 {0.43} | 7.8 {0.31} | 6.0 {0.24} | 1.9 {0.07} | 19 {0.75} | 6.5 {0.26} | 1.5 {0.06} | 0.55 {0.02} | 2.4 {0.09} | 6.6 {0.26} | 1.0 {0.04} | 0.6 {0.02} |
| | | # | | # | | | | | | | | |

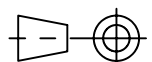
This variant has a smaller H & J outlet
Modified dimensions are shown thus:- #

Copyright (!)

The copyright in this drawing is the property of Tyco Electronics UK Ltd. The drawing is issued on the condition that it is not copied, reproduced or disclosed to a third party, either in whole or in part without the prior written consent of Tyco Electronics UK Ltd.

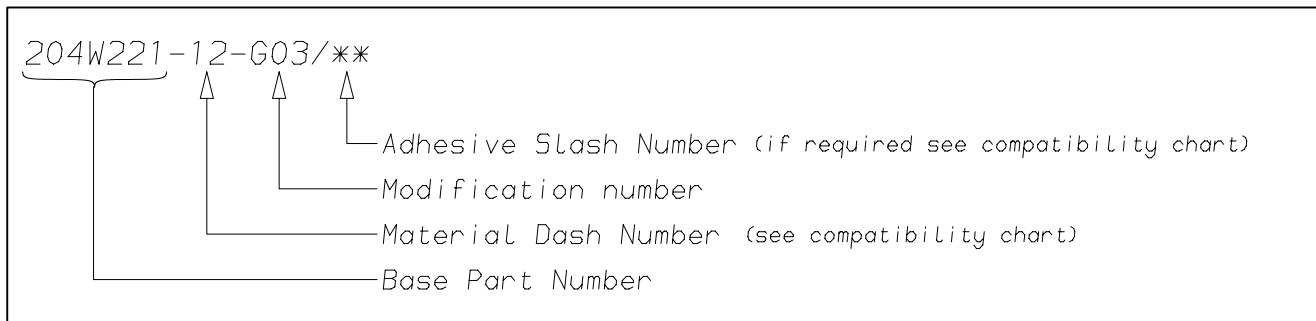
Drawn A.LILLEY. Checked Issue 1 Date January 2008 Conforms to ISO Recommendations
3rd Angle Projection
Not to Scale

Approval Design MKTG. Tech.



| | | | | |
|----------------|------|--|-------------------------------|---------|
| Raychem | | Specification Control Drawing | Part Number 204W221-12-G03 | Issue 1 |
| Iss. | Date | E.C.R. No. | Details of Change | |
| | | | | |

(Ordering Information)



(COMPATIBILITY CHART)

| Material Dash Number | Material Description | SPEC Number | Coating Slash Number |
|----------------------|---------------------------|-------------|----------------------|
| -12 | FLUOROELASTOMER, FLEXIBLE | RT-1312 | |
| | | | |
| | | | |
| | | | |
| | | | |
| | | | |
| | | | |

| | |
|--|---|
| Tyco Electronics UK Ltd. Faraday Road, Swindon, Wiltshire, SN3 5HH England Telephone: (01793) 528171 Fax: 572516 | Tyco Electronics Corporation 300, Constitution Drive, Menlo Park, CA 94025 USA Telephone (650) 361-3860 Fax: (650) 361-5579 |
| Cage Code K1010 | Cage Code 06090 |