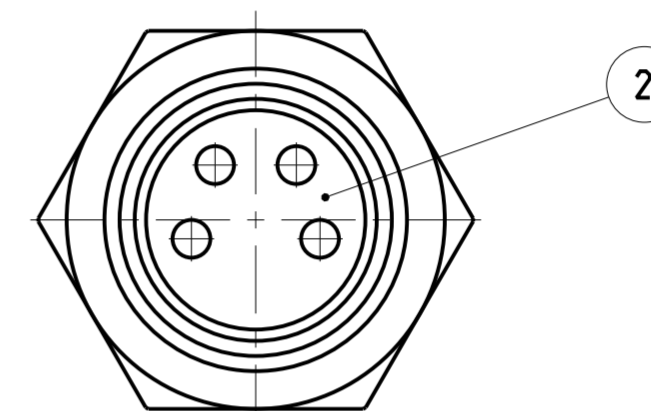
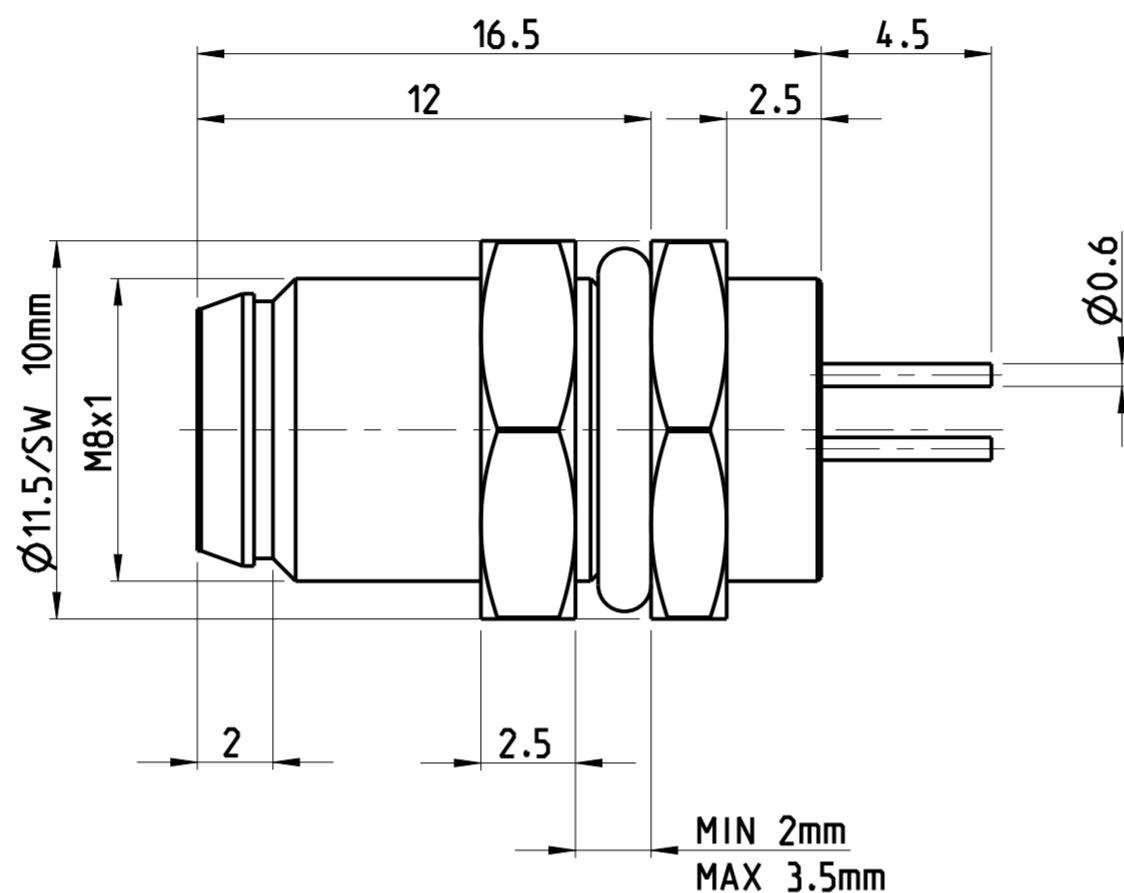


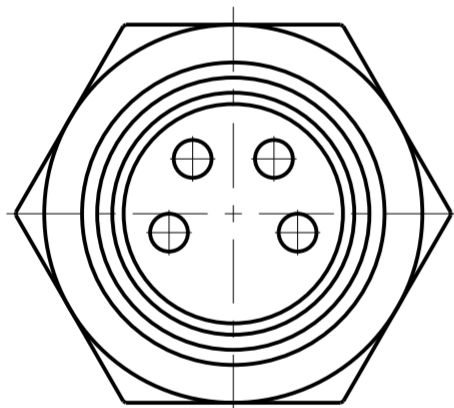
REVISIONS		DATE	DWN	APVD
ÄNDERUNGEN				
P	LTR	DESCRIPTION		
		BESCHREIBUNG		
A		NEW RELEASE	04DEC2014	TJ PS

TECHNICAL DATA	3-2172069-2
RATED VOLTAGE	30V
RATED IMPULSE VOLTAGE	800V
POLLUTION DEGREE	3
OVERVOLTAGE CATEGORY	II
MATERIAL GROUP	II
RATED CURRENT	4A
VOLUME RESISTIVITY	≤ 3mΩ
DEGREE OF PROTECTION	IP67
UPPER TEMPERATURE	+85 °C
LOWER TEMPERATURE	-40 °C

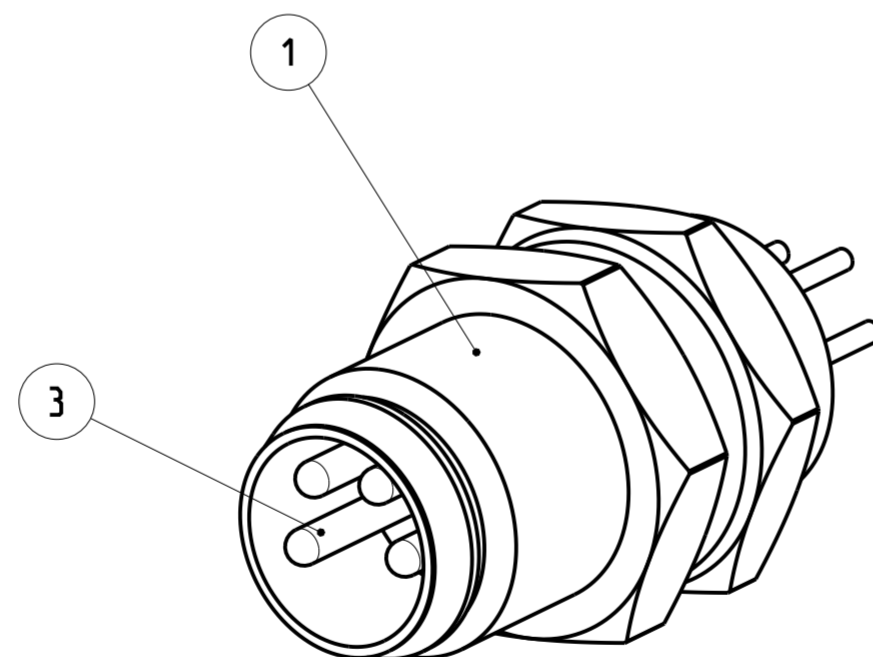
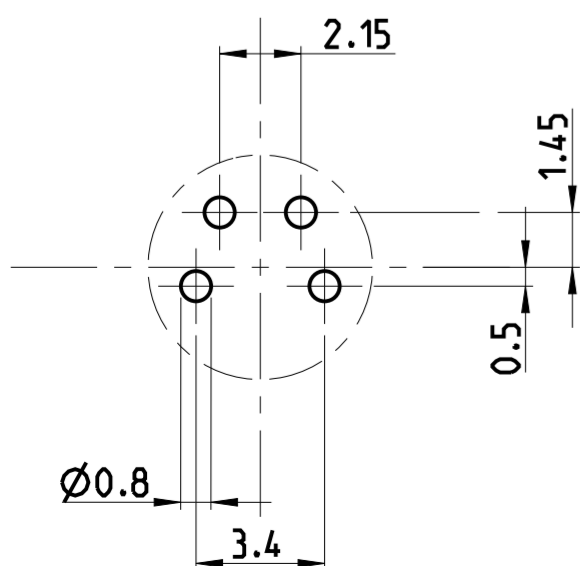


PIN ARRANGEMENT

3-2172069-2



CONDUCTOR LAYOUT (MATING SIDE)



NOTES:

- 1 MATERIAL: ITEM NO. 1: HOUSING - CuZn (BRASS)
- ITEM NO. 2: CONTACT BODY - PA
- ITEM NO. 3: CONTACT - CuZn (BRASS)
- CONTACT FINISH - AU (GOLD)

2 ALL DIMENSIONS ARE FOR NOMINAL REFERENCE ONLY UNLESS OTHERWISE STATED

SIZE ISO 14405 (E)

DIESE ZEICHNUNG IST EIN KONTROLLIERTES DOKUMENT. BEMASSUNGEN UND TOLERANZEN GEMAESS GPS (ISO STANDARDS).		DWH YASHKUMAR 09SEP2014	
THIS DRAWING IS A CONTROLLED DOCUMENT. DIMENSIONING AND TOLERANCING PER GPS (ISO STANDARDS).		CHK M. BRUBAKER 09SEP2014	
DIMENSIONS: MASSE/WEITEN: (MM)		APVD M. BRUBAKER 09SEP2014	
TOLERANCES UNLESS OTHERWISE SPECIFIED: ALLGEMEINTOLERANZEN		NAME M. BRUBAKER	
0 PLC ±		PRODUCT SPEC	
1 PLC ±		PRODUCT SPEC	
2 PLC ±		108-19483	
3 PLC ±		APPLICATION SPEC	
4 PLC ±		VERARBEITUNGSSPEZ	
ANGLES/WINKEL ±		114-32127	
FINISH/OBERFLÄCHE/FARBE		WEIGHT	
SEE NOTES		-	
SEE NOTES		Customer Drawing	

⚠	4	3-2172069-2
MATERIAL	NUMBER OF POLES	TE-PART-NO.

STE TE Connectivity

M8 RECEPTACLE, MALE, STRAIGHT, FRONT FASTENED, DIP SOLDER

SIZE	CAGE CODE	DRAWING NO. ZEICHNUNGS-NR.	RESTRICTED TO MUR FÜR
A2	00779	C-2172069	-
SCALE MASSSTAB	SHEET BLATT	OF VON	REV
5:1	1	1	A