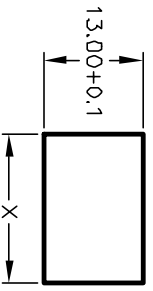
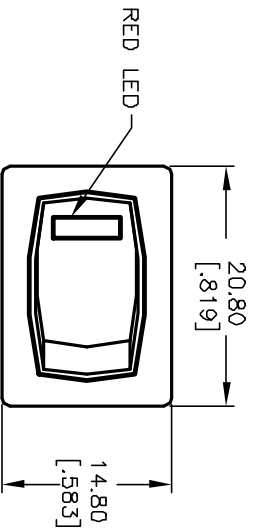


| PANEL THICKNESS       | X dimension     |
|-----------------------|-----------------|
| 0.75-1.25 [.030-.049] | 19.2-.01 [.756] |
| 1.25-2.0 [.049-.079]  | 19.4-.01 [.764] |
| 2.0-3.0 [.079-.118]   | 19.8-.01 [.780] |

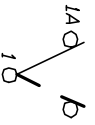


PANEL CUTOUT  
NOT TO SCALE



| RED LED                 |             |      |      |         |
|-------------------------|-------------|------|------|---------|
| PARAMETERS              | SYMBOL      | MAX. | TYP. | UNITS   |
| POWER DISSIPATION       | $P_D$       | 80   |      | mW      |
| AVERAGE FORWARD CURRENT | $I_{AF}$    | --   |      | mA      |
| PEAK FORWARD CURRENT    | $I_{PF}$    | 100  |      | mA      |
| REVERSE VOLTAGE         | $V_R$       | 5    |      | V       |
| FORWARD VOLTAGE         | $V_F$       | 2.6  | 1.7  | V       |
| REVERSE CURRENT         | $I_R$       |      | 100  | $\mu$ A |
| EMISSION WAVELENGTH     | $\lambda_p$ |      | 660  | nm      |
| LUMINOUS INTENSITY      | $I_v$       |      | 30   | mcd     |

| SWITCH FUNCTION |        |
|-----------------|--------|
| POS. 1          | POS. 2 |
| DN              | OFF    |
| 1-1a            | OPEN   |

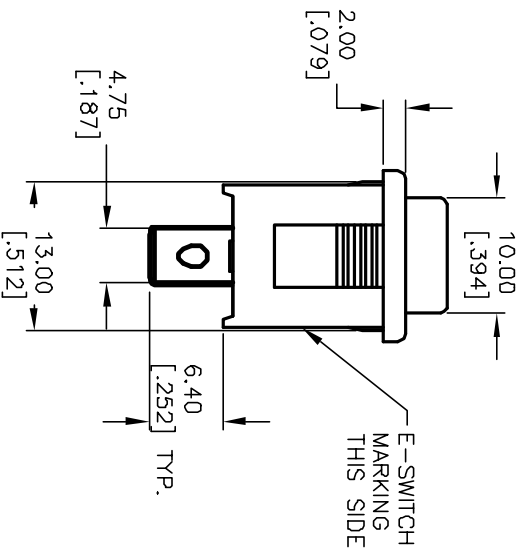
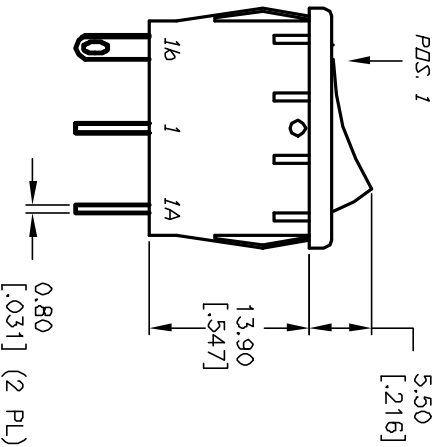
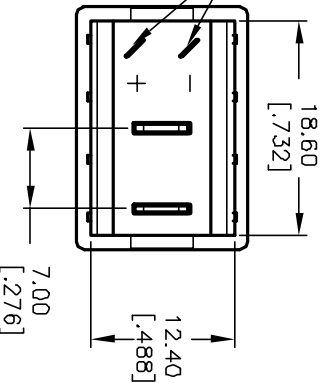


CIRCUIT: SPST

NOTES:

1. ALL DIMENSIONS IN MM [INCH]
2. GENERAL TOLERANCE: X.X=±0.4  
X.XX=±0.25
3. TERMINAL NUMBERS FOR REF ONLY
4. RATING: 15A @ 125VAC OR 6A @ 250VAC
5. MATERIALS: (TERMINALS) SILVER PLATED COPPER  
(CONTACTS) COIN SILVER, SILVER PLATED.
6. CONTACT RESISTANCE: <20 Mego
7. ELECTRIC LIFE: 10,000 cycles
8. INSULATION RESISTANCE: >1000 Mego
9. DIELECTRIC STRENGTH: >1500V 1 minute  
>3000V between Poles

LED SOLDER  
TERMINALS  
0.15 x 2.00



E-SWITCH  
MARKING  
THIS SIDE

**E-SWITCH®**

| REV.  | ECN No. | DESCRIPTION         | DATE   | CHKD | SCALE | DATE   | DR | DWG     | REV |
|---|---------|---------------------|--------|------|-------|--------|----|---------|-----|
| C   | 11530   | REVISED AND REDRAWN | 6/6/01 | CJB  | 1.5:1 | 1/5/95 | MM | M309200 | C   |
| TITLE: R1966A BLK BLK E F RED<br>THE INFORMATION CONTAINED IN THIS DOCUMENT IS PROPRIETARY TO E-SWITCH AND IS NOT TO BE COPIED OR TRANSMITTED |         |                     |        |      |       |        |    |         |     |