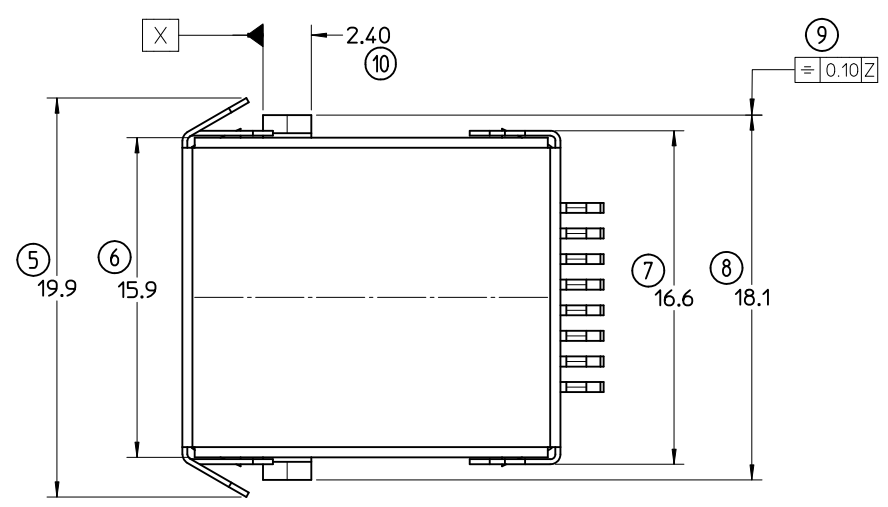
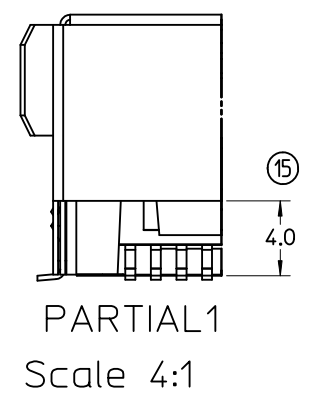
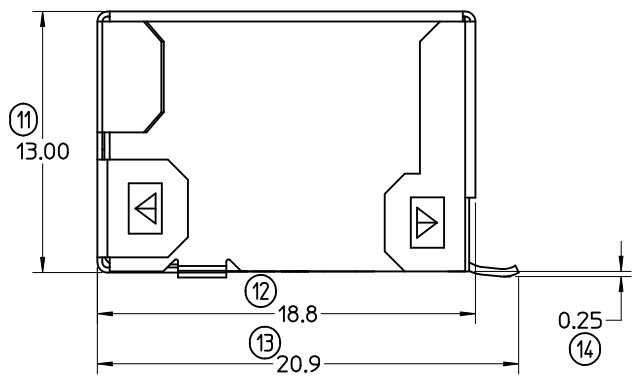
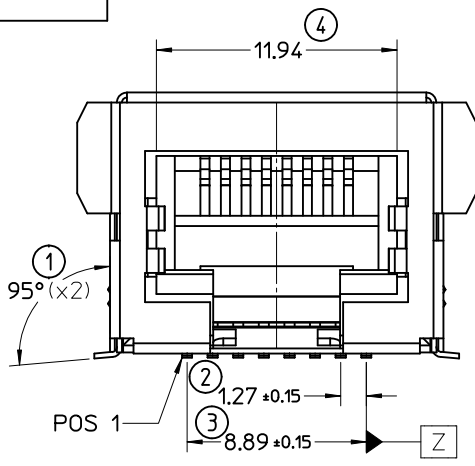


PART No.	
95622-4884	



- NOTES:**
- 1- JACK FOR MATING WITH SHIELDED PLUG (MOLEX 95043 AND 85568 SERIES)
  - 2- PRODUCT SPECIFICATION: PS-95622-001
  - 3- PACKAGING SPECIFICATION: PK-95122-003 (BLISTER ON REEL)
  - 4- COPLANARITY OF SIGNAL LEADS: 0.10MAX
  - 5- RECOMMENDED PCB THICKNESS 1.57
- LAST INSPECTION No: 16



**TECHNICAL SPECIFICATIONS:**

**MATERIAL:**  
HOUSING: LCP GLASS FILLED UL 94V-0, COLOUR BLACK.  
TERMINAL: COPPER ALLOY PLATED WITH:  
BASE FINISH: NICKEL  
CONTACT SURFACE FINISH:  
GOLD  
OR  
GOLD FLASH OVER PALLADIUM NICKEL.  
EXCEEDS PRODUCT REQUIREMENTS BASED ON PS-95622-001  
SHIELD: COPPER ALLOY PLATED WITH TIN.

REMOVED OPTIONS EC NO: IPG2012-0746 DRWING: DBYRNES 2012/04/17 CHKD: APPR: EFOLAN 2012/06/26	QUALITY SYMBOLS	GENERAL TOLERANCES (UNLESS SPECIFIED)	DIMENSION STYLE	SCALE	DESIGN UNITS	THIRD ANGLE PROJECTION
	▽=0 ∇=0	mm INCH	MM ONLY	4:1	METRIC	
		4 PLACES ± --- ± ---	DRAWN BY DATE	TITLE		
		3 PLACES ± --- ± ---	CHECKED BY DATE	FULLY SHIELDED TRUE SMT RIGHT ANGLE MODULAR JACK 8 CIRCUIT		

2 PLACES ± 0.25 ± ---	APPROVED BY DATE	MOLEX INCORPORATED	
1 PLACE ± 0.35 ± ---	EOMAHONY 2006/07/28	MATERIAL NO. DOCUMENT NO.	
ANGULAR ± 2 °	EOMAHONY 2006/07/28	SEE CHART	SD-95622-007
DRAFT WHERE APPLICABLE MUST REMAIN WITHIN DIMENSIONS	SIZE A3	THIS DRAWING CONTAINS INFORMATION THAT IS PROPRIETARY TO MOLEX INCORPORATED AND SHOULD NOT BE USED WITHOUT WRITTEN PERMISSION	
		SHEET NO. 1 OF 1	