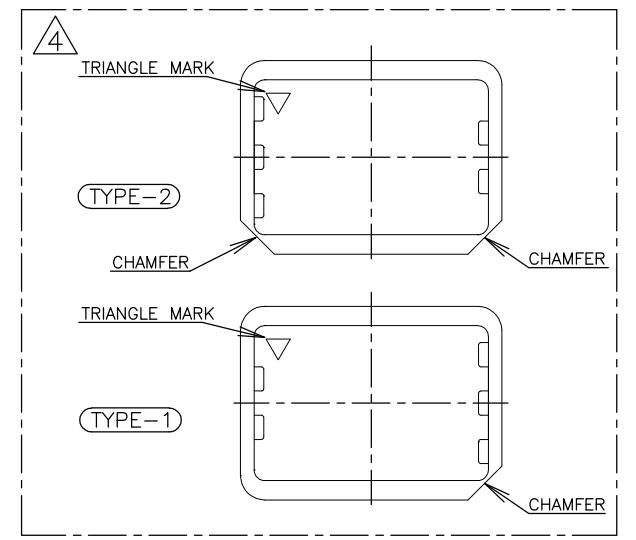
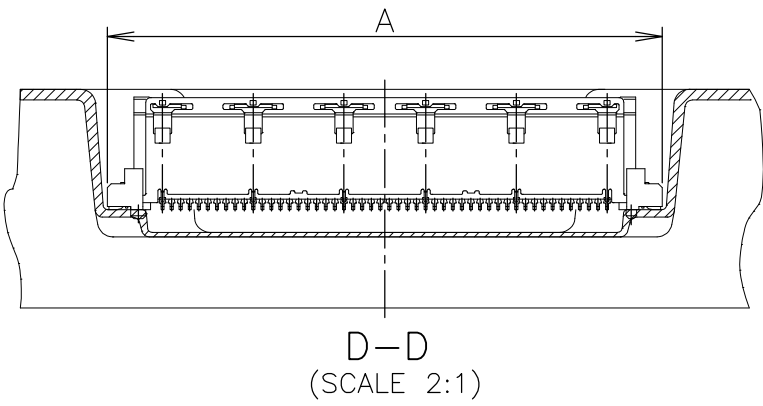
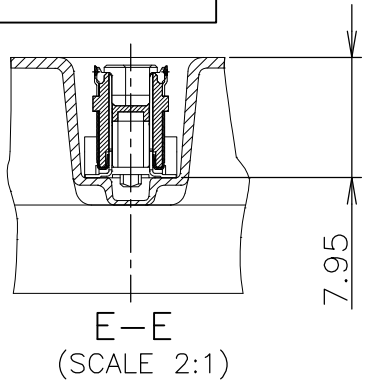
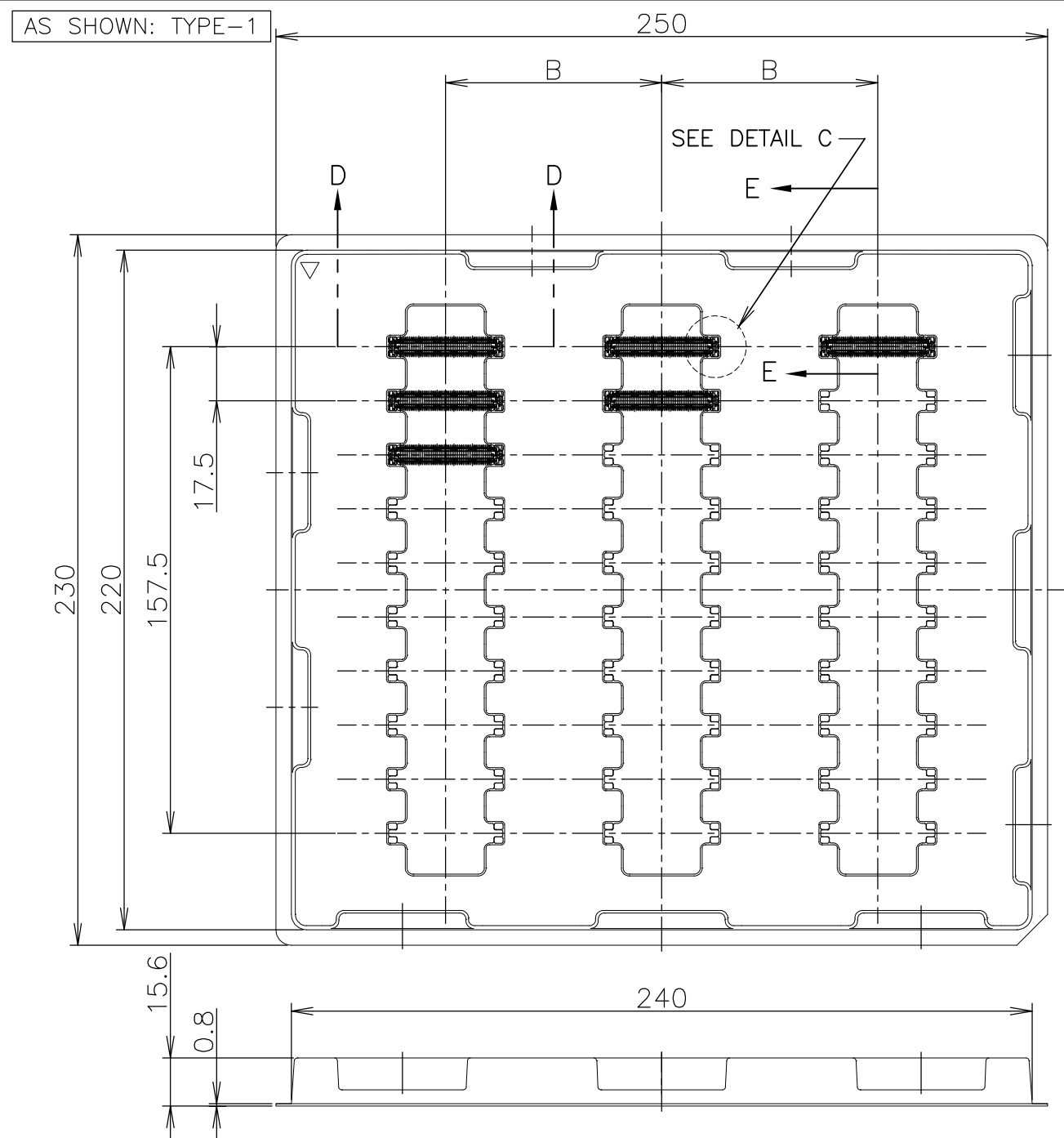


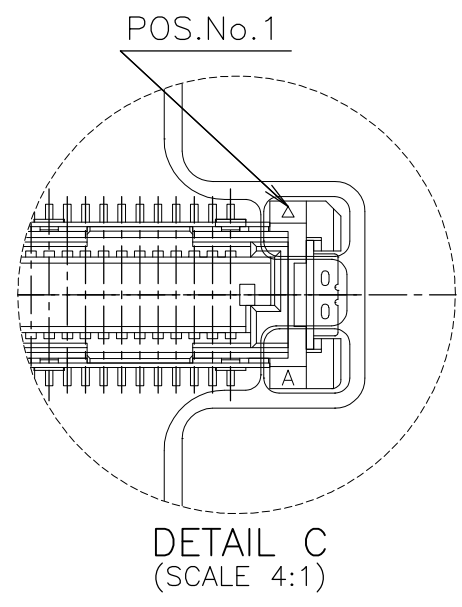
THIS DRAWING IS UNPUBLISHED. RELEASED FOR PUBLICATION OCT, 1995.  
 © COPYRIGHT 1995 BY TYCO ELECTRONICS CORPORATION. ALL RIGHTS RESERVED.

| LOC | DIST | REVISIONS             |         |      |
|-----|------|-----------------------|---------|------|
| J   |      | 変更                    |         |      |
| P   | LTR  | DESCRIPTION           | DATE    | DWN  |
|     | A    | REVISED ECR-08-000339 | 01FEB08 | T.T  |
|     |      |                       |         | APVD |
|     |      |                       |         | T.F  |



| SEALANT       | TOOLING STATUS | ROW | QTY | B  | A    | POS. | TRAY P/N   | PART NO.    |
|---------------|----------------|-----|-----|----|------|------|------------|-------------|
| AVAILABLE     | ↑              | 3   | 30  | 70 | 54.7 | 160  | 3-912068-1 | 6-5316562-1 |
| AVAILABLE     | ↑              | 3   | 30  | 70 | 48.7 | 140  | 7-912063-3 | 6- - -0     |
| NOT AVAILABLE | ↓              |     |     |    | 42.7 | 120  | 7-912063-2 | 5- - -9     |
| ↑             | ↓              |     |     |    | 36.7 | 100  | 3-912068-0 | 5- - -8     |
| ↓             | ↑              | 3   | 30  | 70 | 33.7 | 90   | 2- - -9    | 5- - -7     |
| ↑             | ↓              | 5   | 50  | 43 | 30.7 | 80   | 2- - -8    | 5- - -6     |
| ↓             | ↑              |     |     |    | 27.7 | 70   | 2- - -7    | 5- - -5     |
| ↑             | ↓              |     |     |    | 24.7 | 60   | 2- - -6    | 5- - -4     |
| ↓             | ↑              |     |     |    | 21.7 | 50   | 2- - -5    | 5- - -3     |
| ↑             | ↓              |     |     |    | 18.7 | 40   | 2- - -4    | 5- - -2     |
| NOT AVAILABLE | ↓              | 5   | 50  | 43 | 15.7 | 30   | 2-912068-3 | 5-5316562-1 |
| ↑             | ↓              | 3   | 30  | 70 | 54.7 | 160  | 3-912068-1 | 1-5316562-1 |
| ↑             | ↓              | 3   | 30  | 70 | 48.7 | 140  | 7-912063-3 | 1- - -0     |
| NOT AVAILABLE | ↓              |     |     |    | 42.7 | 120  | 7-912063-2 | - - -9      |
| ↑             | ↓              |     |     |    | 36.7 | 100  | 3-912068-0 | - - -8      |
| ↓             | ↑              | 3   | 30  | 70 | 33.7 | 90   | 2- - -9    | - - -7      |
| ↑             | ↓              | 5   | 50  | 43 | 30.7 | 80   | 2- - -8    | - - -6      |
| ↓             | ↑              |     |     |    | 27.7 | 70   | 2- - -7    | - - -5      |
| ↑             | ↓              |     |     |    | 24.7 | 60   | 2- - -6    | - - -4      |
| ↓             | ↑              |     |     |    | 21.7 | 50   | 2- - -5    | - - -3      |
| ↑             | ↓              |     |     |    | 18.7 | 40   | 2- - -4    | - - -2      |
| NOT AVAILABLE | ↓              | 5   | 50  | 43 | 15.7 | 30   | 2-912068-3 | 5316562-1   |

△ TRAY TYPE-1 AND TYPE-2 MUST BE  
 PILED UP BY TURNS.  
 (REFER TO PACKING SPECIFICATIONS)



GENERAL TOLERANCE  
 一般公差

|             |            |
|-------------|------------|
| 10 ≥        | ±0.2       |
| 30 ≥        | >10: ±0.25 |
| 100 ≥       | >30: ±0.3  |
| ANGLES: ±3° |            |

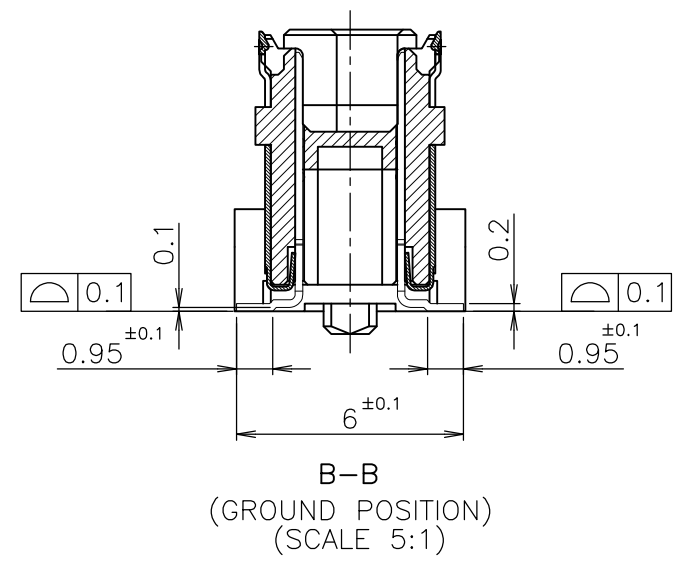
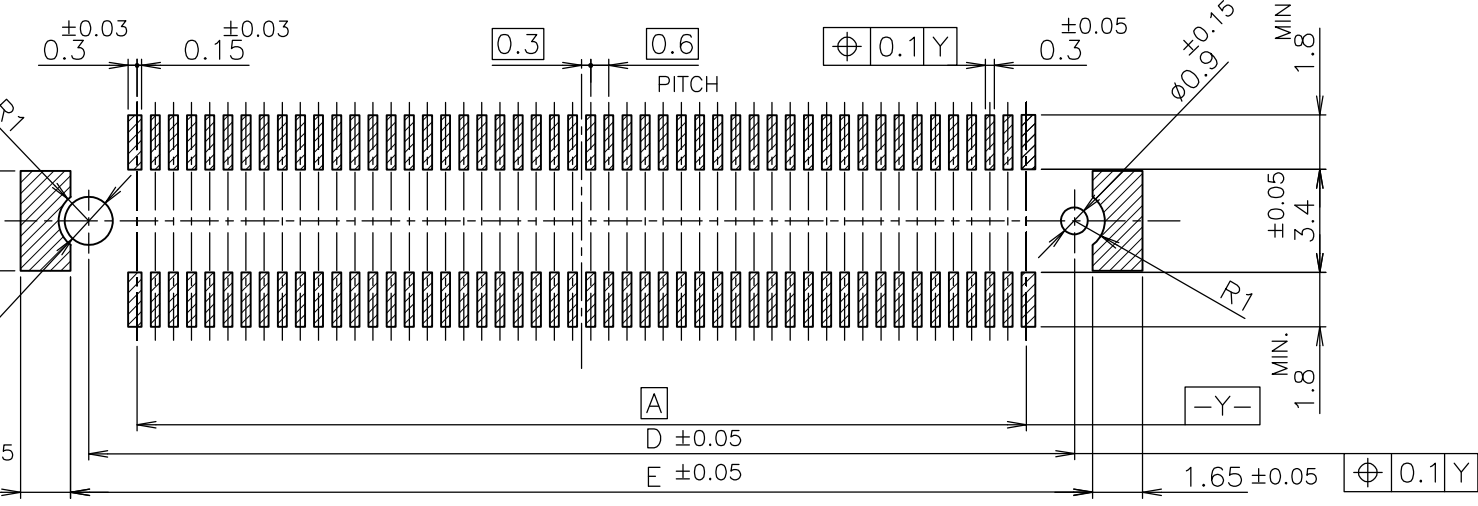
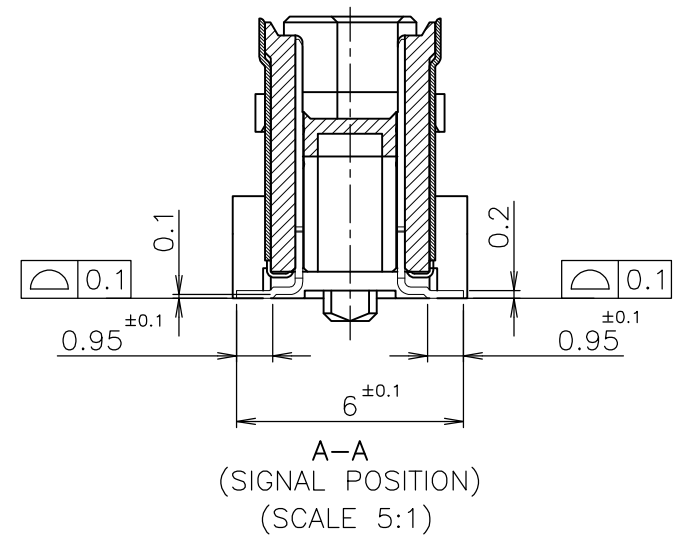
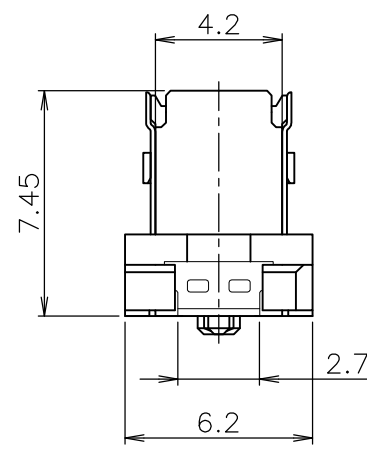
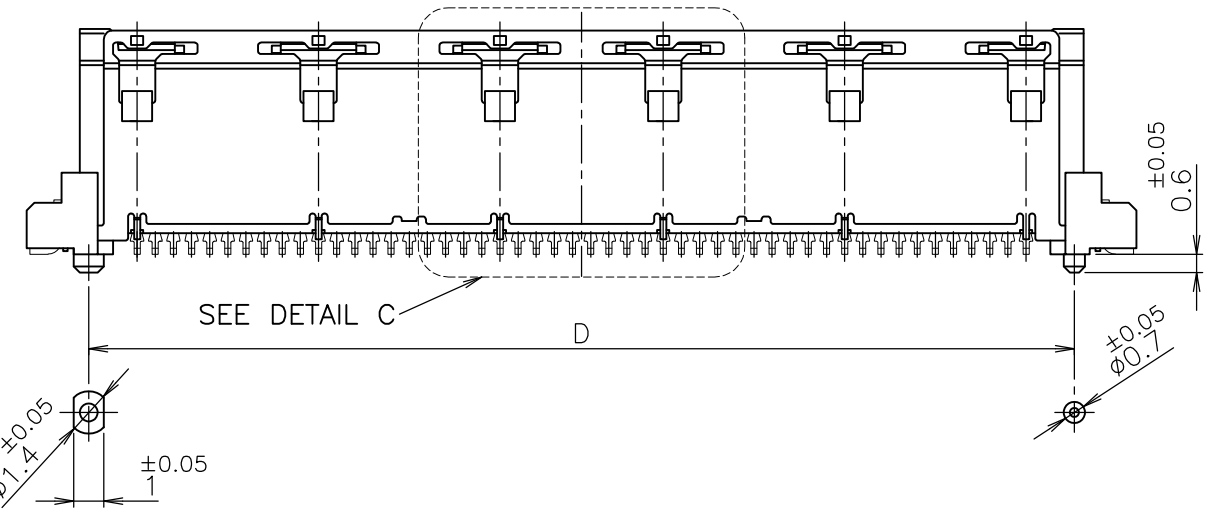
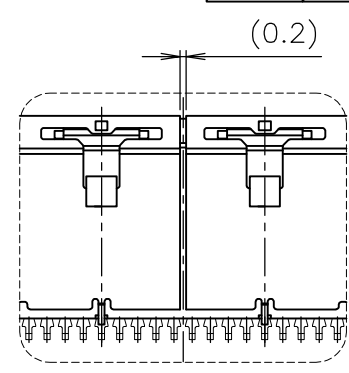
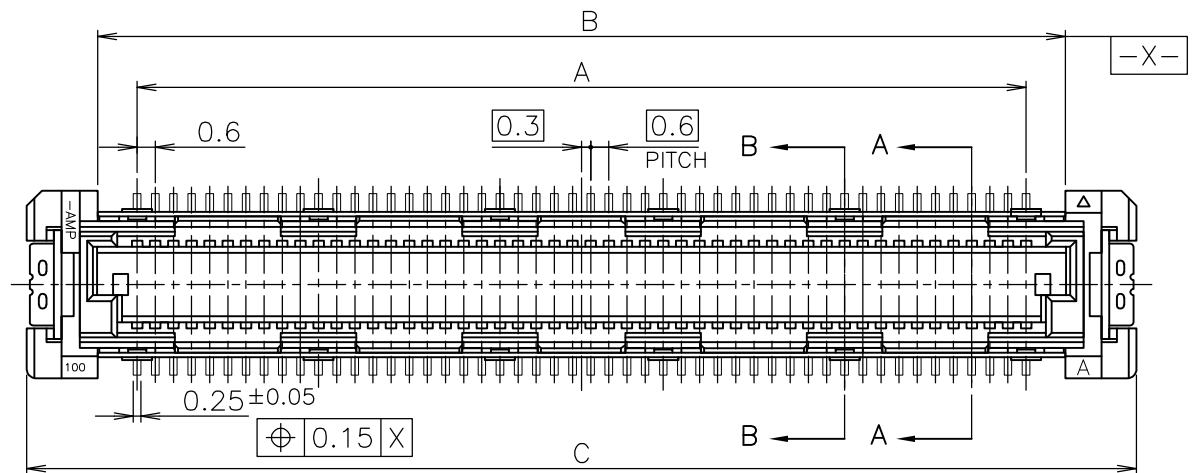
THIS DRAWING IS A CONTROLLED DOCUMENT.

|  |   |
|--|---|
| DWN<br>HAWKING HE<br>20DEC04           | Tyco Electronics<br>Tyco Electronics Corporation<br>Kawasaki, Japan |
| CHK<br>STEVEN YAO<br>20DEC04           |   |
| APVD<br>I.ENOMOTO<br>20DEC04           | NAME<br>名称  |
| PRODUCT SPEC<br>製品規格<br>108-60047      | SOFT TRAY ASSY<br>FH 0.6BTB CONNECTOR<br>PLUG 8H W/G-PLATE          |
| APPLICATION SPEC<br>取付適用規格<br>114-5255 | SIZE<br>A3  |
| WEIGHT                                 | CAGE CODE<br>00779  |
|  | DRAWING NO<br>G-5316562   |
|  | RESTRICTED TO   |

CUSTOMER DRAWING SCALE 1:2 SHEET 1 OF 3 REV A

THIS DRAWING IS UNPUBLISHED. RELEASED FOR PUBLICATION OCT, 1995.  
 © COPYRIGHT 1995 BY TYCO ELECTRONICS CORPORATION. ALL RIGHTS RESERVED.

| LOC | DIST | REVISIONS   |      |     |
|-----|------|-------------|------|-----|
| J   |      | 変更          | DATE | DWN |
| P   | LTR  | DESCRIPTION | APVD |     |
|     |      | SEE SHEET 1 | -    | -   |



|                |      |      |      |    |      |     |
|----------------|------|------|------|----|------|-----|
| AVAILABLE      | 51.8 | 50.6 | 54.7 | 50 | 47.4 | 160 |
| AVAILABLE      | 45.8 | 44.6 | 48.7 | 44 | 41.4 | 140 |
| NOT AVAILABLE  | 39.8 | 38.6 | 42.7 | 38 | 35.4 | 120 |
|                | 33.8 | 32.6 | 36.7 | 32 | 29.4 | 100 |
|                | 30.8 | 29.6 | 33.7 | 29 | 26.4 | 90  |
|                | 27.8 | 26.6 | 30.7 | 26 | 23.4 | 80  |
|                | 24.8 | 23.6 | 27.7 | 23 | 20.4 | 70  |
|                | 21.8 | 20.6 | 24.7 | 20 | 17.4 | 60  |
|                | 19.8 | 17.6 | 21.7 | 17 | 14.4 | 50  |
|                | 15.8 | 14.6 | 18.7 | 14 | 11.4 | 40  |
| NOT AVAILABLE  | 12.8 | 11.6 | 15.7 | 11 | 8.4  | 30  |
| TOOLING STATUS | E    | D    | C    | B  | A    | POS |

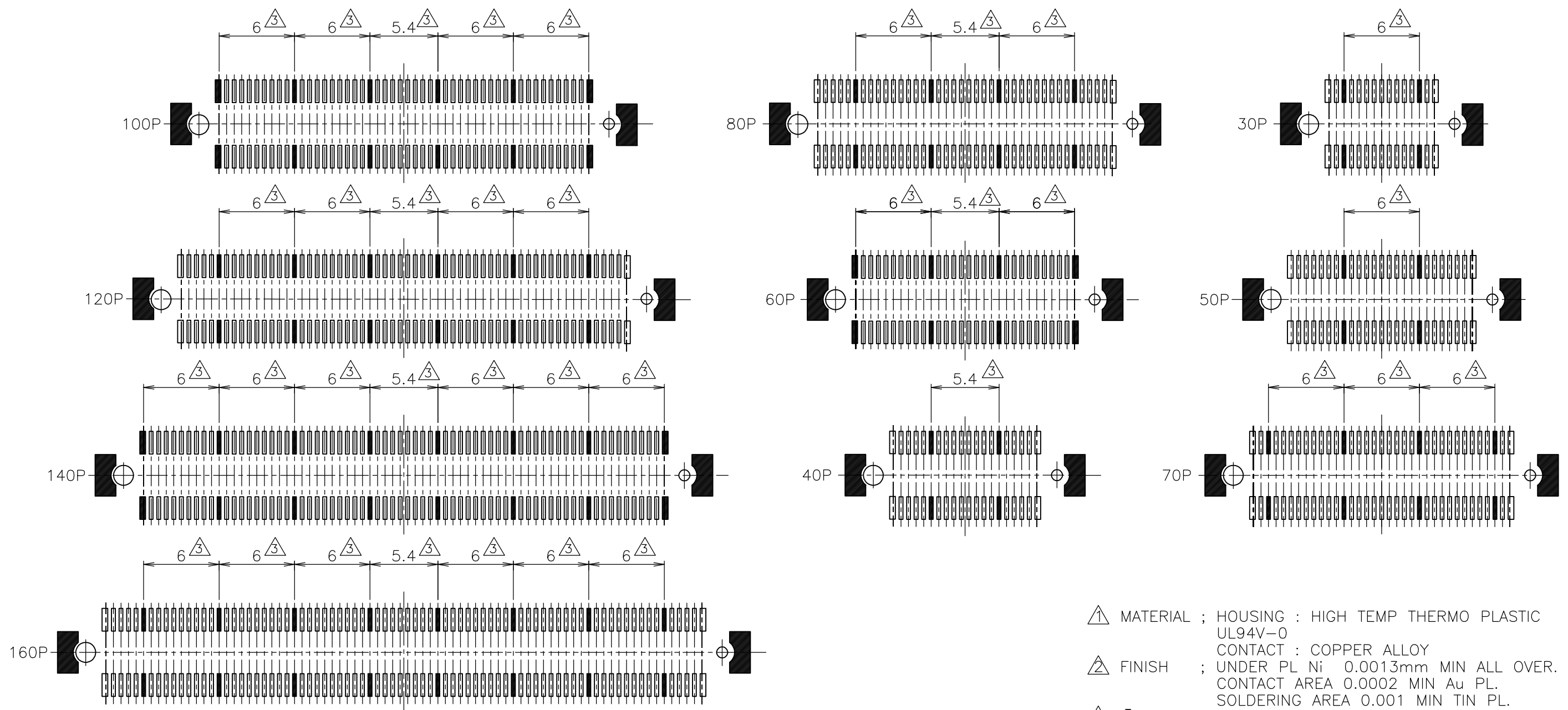
REFERENCE P.C.BOARD LAYOUT

GENERAL TOLERANCE  
 一般公差  
 10 ≥ ±0.2  
 30 ≥ >10: ±0.25  
 100 ≥ >30: ±0.3  
 ANGLES: ±3°

|   |  |                            |  |               |
|---|--|----------------------------|--|---------------|
| THIS DRAWING IS A CONTROLLED DOCUMENT.                                      |  | DWN                        | Tyco Electronics Corporation<br>Kawasaki, Japan            |               |
| DIMENSIONS: 单位: 耗 mm  |  | CHK                        | NAME 名称  |               |
| TOLERANCES UNLESS OTHERWISE SPECIFIED: 一般公差                                 |  | APVD                       | SOFT TRAY ASSY<br>FH 0.6BTB CONNECTOR<br>PLUG 8H W/G-PLATE |               |
| 0 PLC ± -<br>1 PLC ± -<br>2 PLC ± -<br>3 PLC ± -<br>4 PLC ± -<br>ANGLES ± - |  | PRODUCT SPEC<br>製品規格       | SIZE   | CAGE CODE     |
| MATERIAL 材料   |  | APPLICATION SPEC<br>取付適用規格 | A3   | 00779         |
| FINISH 仕上   |  | WEIGHT                     | DRAWING NO<br>番号   | RESTRICTED TO |
| 1   |  | G-5316562                  |  |               |
| 2   |  | CUSTOMER DRAWING           |  | SCALE 尺度 4:1  |
|   |  | SHEET 2 OF 3               |  | REV A         |

THIS DRAWING IS UNPUBLISHED. RELEASED FOR PUBLICATION OCT, 1995.  
 © COPYRIGHT 1995 BY TYCO ELECTRONICS CORPORATION. ALL RIGHTS RESERVED.

| LOC | DIST | REVISIONS<br>変更 |     |             |      |     |      |
|-----|------|-----------------|-----|-------------|------|-----|------|
| J   |      | P               | LTR | DESCRIPTION | DATE | DWN | APVD |
|     |      |                 | -   | SEE SHEET 1 | -    | -   | -    |



- △ MATERIAL ; HOUSING : HIGH TEMP THERMO PLASTIC UL94V-0  
CONTACT : COPPER ALLOY
- △ FINISH ; UNDER PL Ni 0.0013mm MIN ALL OVER.  
CONTACT AREA 0.0002 MIN Au PL.  
SOLDERING AREA 0.001 MIN TIN PL.
- △ THIS POSITION IS GROUND CIRCUIT.

GENERAL TOLERANCE  
一般公差

10 ≥ : ±0.2  
30 ≥ >10 : ±0.25  
100 ≥ >30 : ±0.3  
ANGLES : ±3°

|  |   |                            |  |                  |               |
|--|---|----------------------------|--|------------------|---------------|
| THIS DRAWING IS A CONTROLLED DOCUMENT. |   | DWN                        | Tyco Electronics Tyco Electronics Corporation<br>Kawasaki, Japan |                  |               |
| DIMENSIONS:<br>単位: 耗<br>mm             | TOLERANCES UNLESS<br>OTHERWISE SPECIFIED:<br>一般公差                           | CHK                        | NAME<br>名称   |                  |               |
|  | 0 PLC ± -<br>1 PLC ± -<br>2 PLC ± -<br>3 PLC ± -<br>4 PLC ± -<br>ANGLES ± - | APVD                       | SOFT TRAY ASSY<br>FH 0.6BTB CONNECTOR<br>PLUG 8H W/G-PLATE       |                  |               |
|  | MATERIAL<br>材料  | FINISH<br>仕上               | PRODUCT SPEC<br>製品規格   | SIZE             | CAGE CODE     |
| △ 1                                    | △ 2   | APPLICATION SPEC<br>取付適用規格 | WEIGHT   | DRAWING NO<br>番号 | RESTRICTED TO |
| CUSTOMER DRAWING                       |   |                            | A3   | 00779            | G-5316562     |
|  |   |                            | SCALE<br>尺度  | SHEET            | REV           |
|  |   |                            | 3:1  | 3 OF 3           | A             |