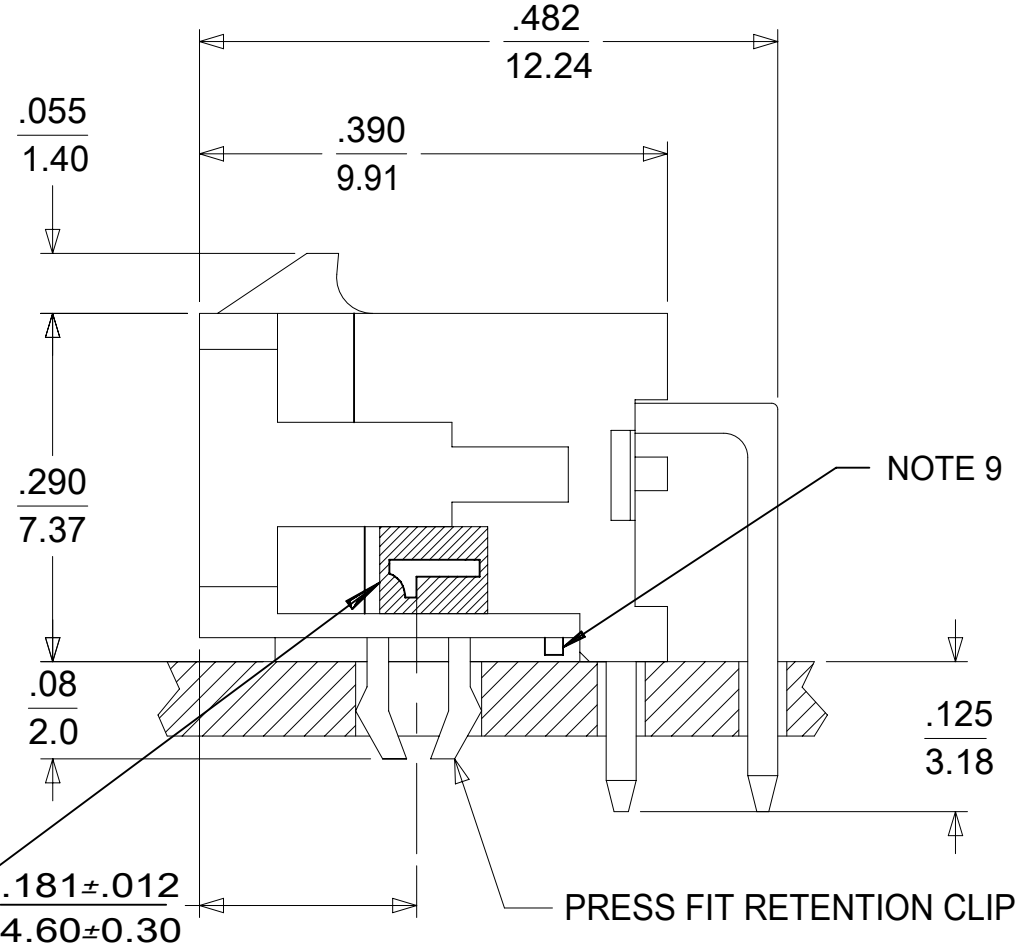
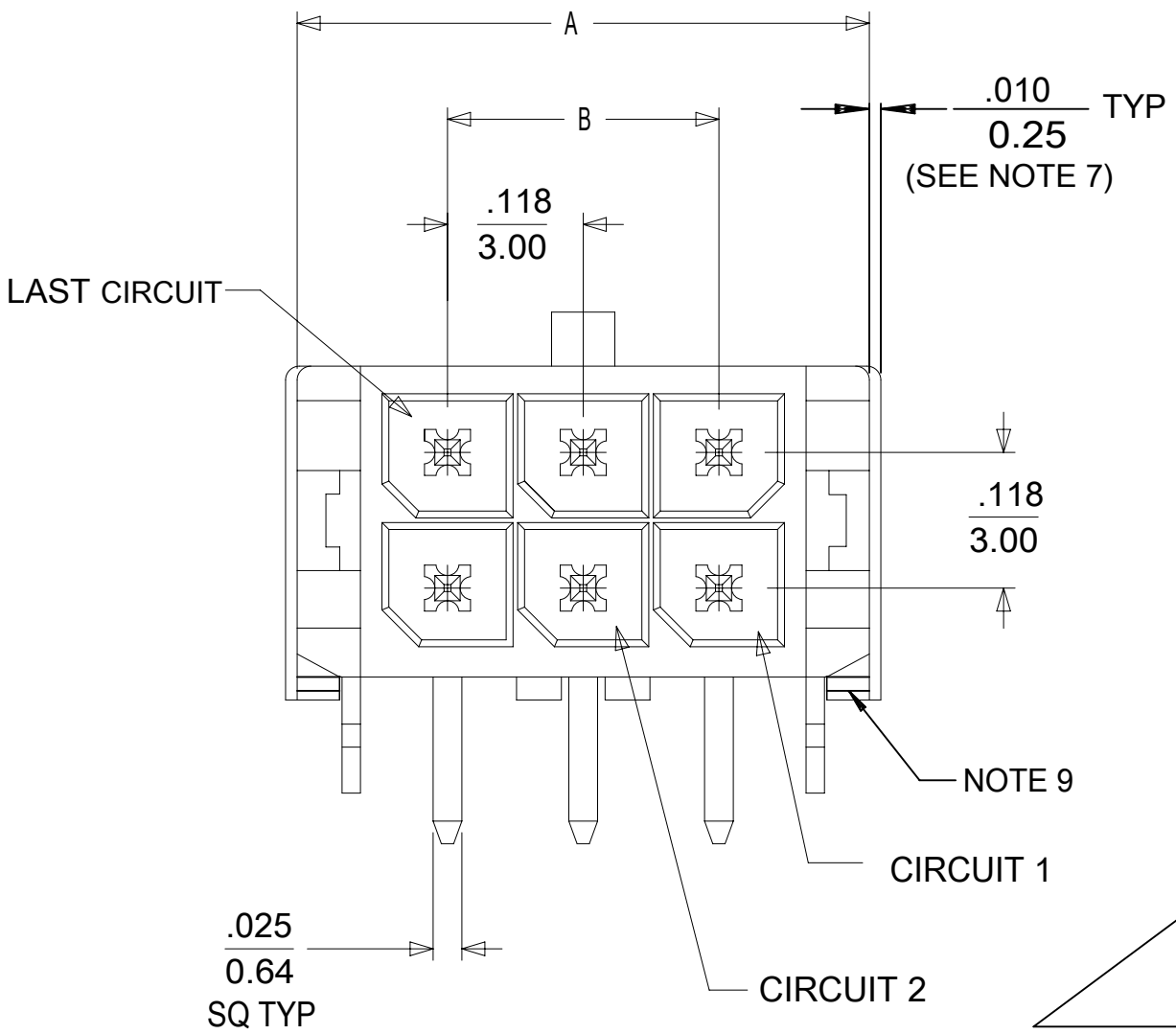
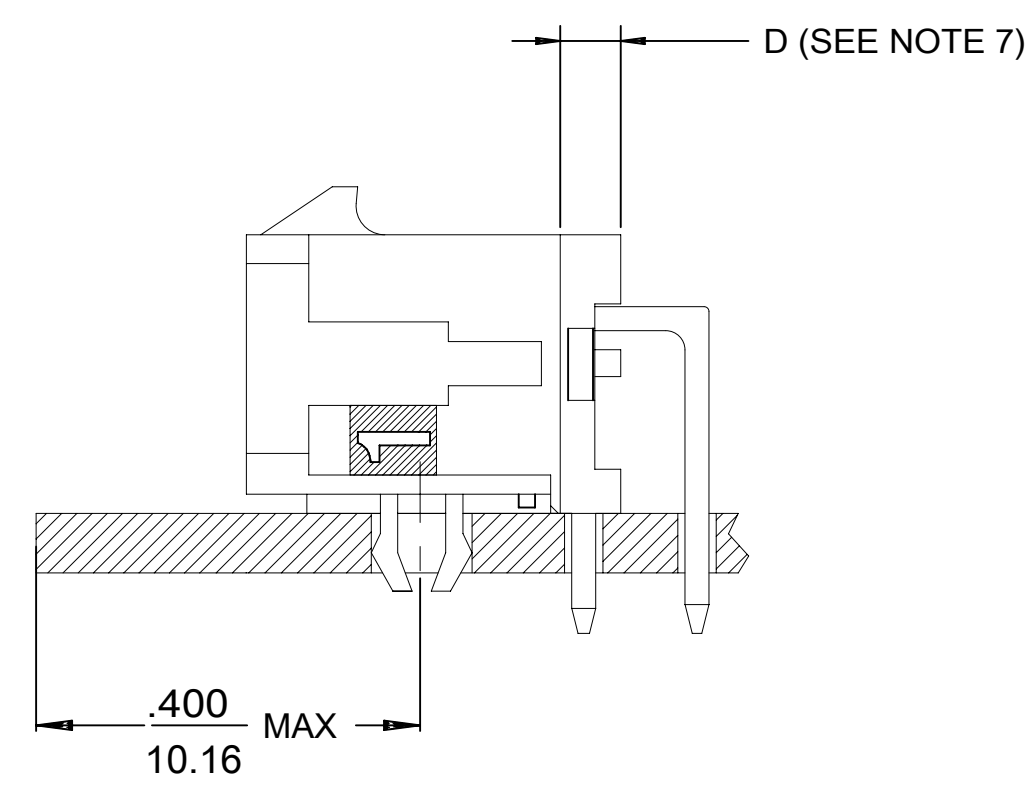


PCB LAYOUT: COMPONENT SIDE
RECOMMEND PCB THICKNESS: .062/1.57



CIRCUIT "1" IDENTIFIED ON THIS SURFACE
(APPROX. LOCATION SHOWN FOR REF.)



LOCATION DETAIL
SEE NOTE #8

CKTS	A	B	C
02	.262 6.65	NA	.169 4.30
04	.380 9.65	.118 3.00	.287 7.30
06	.498 12.65	.236 6.00	.405 10.30
08	.616 15.65	.354 9.00	.524 13.30
10	.734 18.65	.472 12.00	.642 16.30
12	.852 21.65	.591 15.00	.760 19.30
14	.970 24.65	.709 18.00	.878 22.30
16	1.088 27.65	.827 21.00	.996 25.30
18	1.206 30.65	.945 24.00	1.114 28.30
20	1.325 33.65	1.063 27.00	1.252 31.30
22	1.443 36.65	1.181 30.00	1.350 34.30
24	1.561 39.65	1.299 33.00	1.469 37.30

CKTS	FINISH A MATERIAL NO:
02	
04	
06	43045-0658
08	
10	
12	
14	
16	
18	43045-1858
20	
22	
24	

- NOTES:
- HOUSING MATERIAL: GLASS FILLED LIQUID CRYSTAL POLYMER
UL94V-0, COLOR: BLACK
TERMINAL MATERIAL: BRASS ALLOY
 - FINISH:
A = .000100/(0.00254) MIN. MATTE TIN OVER
.000050/(0.00127) MIN. NICKEL PLATE.
 - PRODUCT SPECIFICATION: PS-43045
 - TRAY PACKAGED: SEE MOLEX DRAWING PK-70873-0313
 - MATES WITH MICRO FIT (3.0) RECEPTACLE SERIES 43025
 - THIS PART CONFORMS TO CLASS B REQUIREMENTS OF COSMETIC SPEC PS-45499-002.
 - CIRCUIT SIZES 2-6: "D" IS .265/6.74 FOR .010/0.25 STEP
CIRCUIT SIZES 8-24: "D" IS .063/1.60 FOR .010/0.25 STEP.
 - TO AVOID INTERFERENCE BETWEEN RECEPTACLE AND PCB, HEADER MUST BE PLACED WITHIN .400/(10.16) MAX. FROM EDGE OF PCB, AS SHOWN IN LOCATION DETAIL.
 - METAL TAB MAY BE FLUSH WITH PCB.

THIS DRAWING CONTAINS INFORMATION THAT IS PROPRIETARY TO MOLEX ELECTRONIC TECHNOLOGIES, LLC AND SHOULD NOT BE USED WITHOUT WRITTEN PERMISSION

QUALITY SYMBOLS	2016/06/22 2016/07/22 EC NO: 106026 DRWN: CSLAFTER CHKD: REV / APPR: FSMITH	GENERAL TOLERANCES (UNLESS SPECIFIED)		DIMENSION UNITS	SCALE	
		MM	INCH	IN/MM	---	
▽ = 0	REVISE FINISH A EC NO: 106026 DRWN: CSLAFTER CHKD: REV / APPR: FSMITH	4 PLACES ±	±	DRWN BY	DATE	MICROFIT RIGHT ANGLE THRU HOLE W/ CLIPS DUAL ROW HEADER
▽ = 0		3 PLACES ±	± 0.01	MKIPPER	2007/01/05	
▽ = 0		2 PLACES ±	± 0.014	CHK'D BY	DATE	
▽ = 0		1 PLACES ±	± 0.036	SSOUSEK	2007/01/05	PRODUCT CUSTOMER DRAWING
▽ = 0		0 PLACES ±	±	APPR BY	DATE	
▽ = 0		ANGULAR TOL = 0.5	DRAWING SIZE	THIRD ANGLE PROJECTION	FSMITH	
▽ = 0	DRAFT WHERE APPLICABLE MUST REMAIN WITHIN DIMENSIONS	C				SERIES: 43045 MATERIAL NUMBER: SEE CHART CUSTOMER: GENERAL MARKET
▽ = 0	C3					DOCUMENT NUMBER: SD-43045-027 DOC TYPE: PSD DOC PART: 000 SHEET NUMBER: 1 OF 1