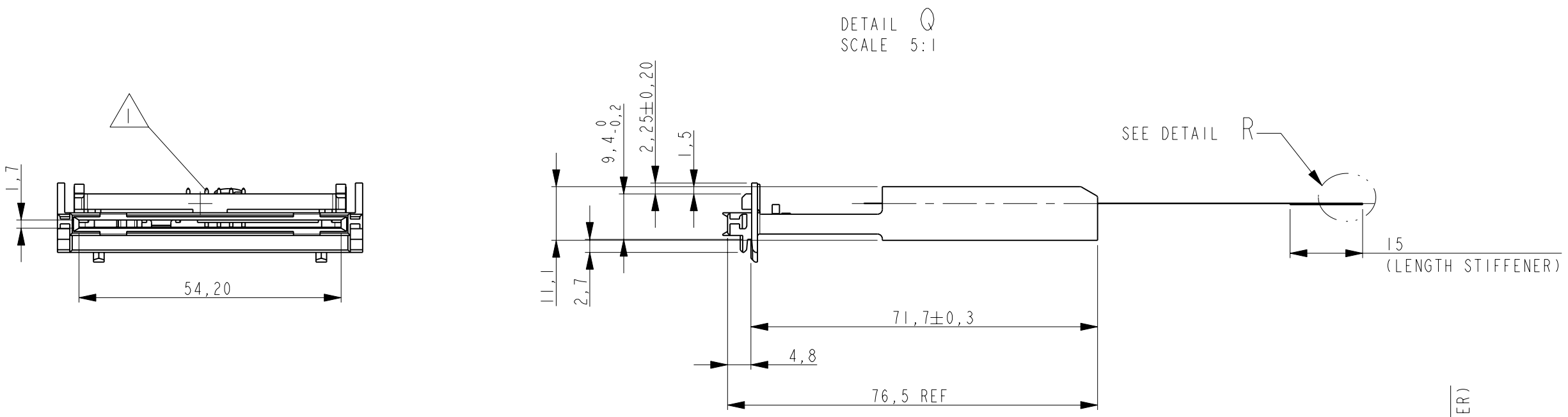
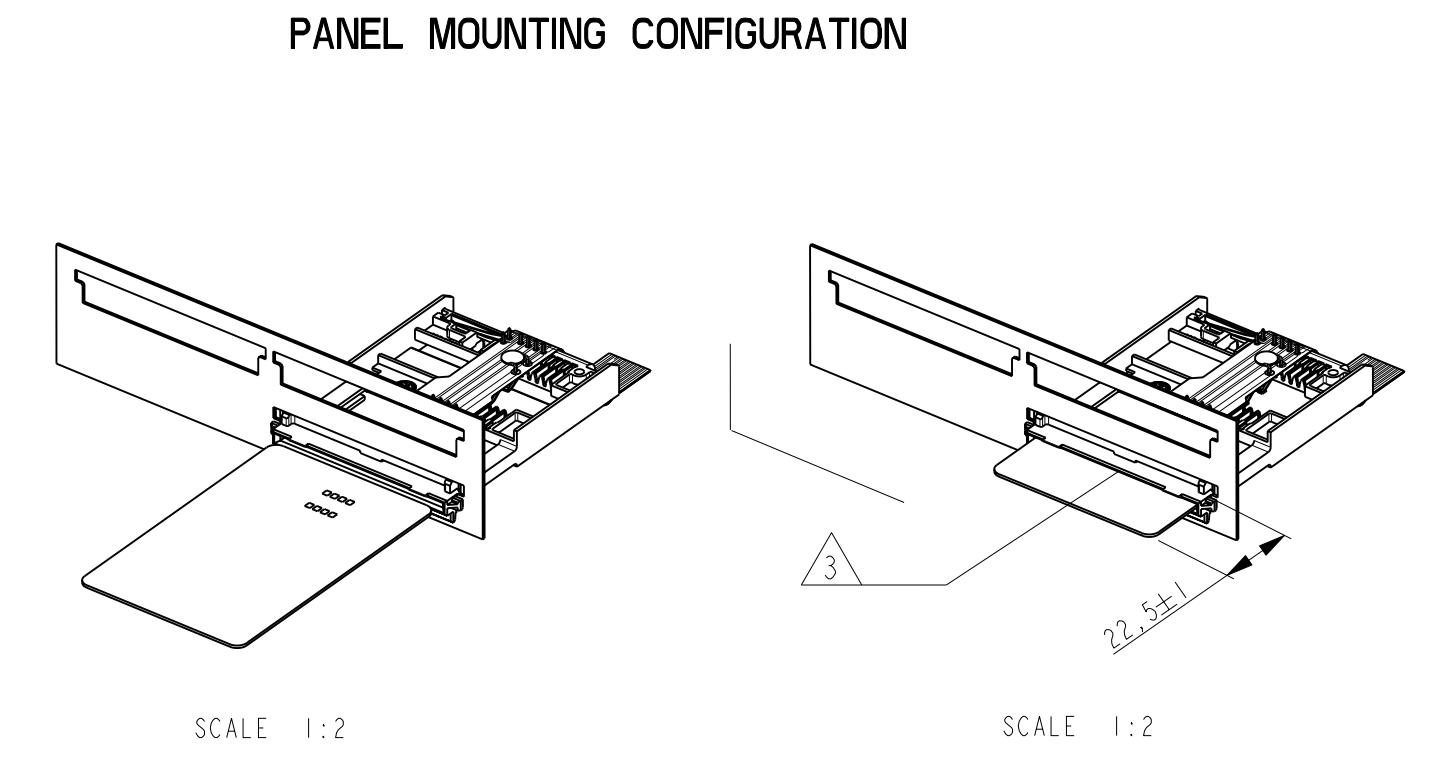
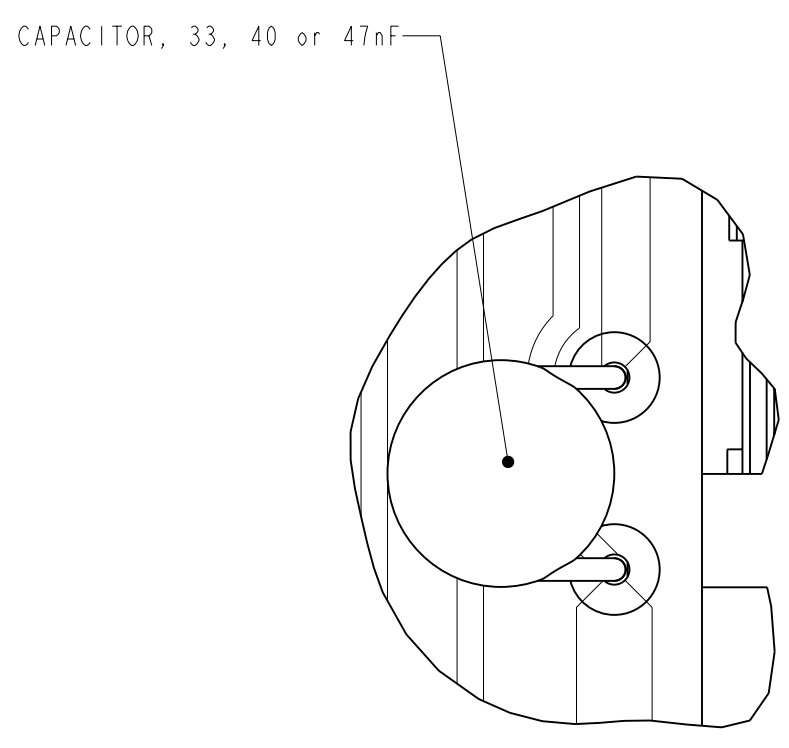
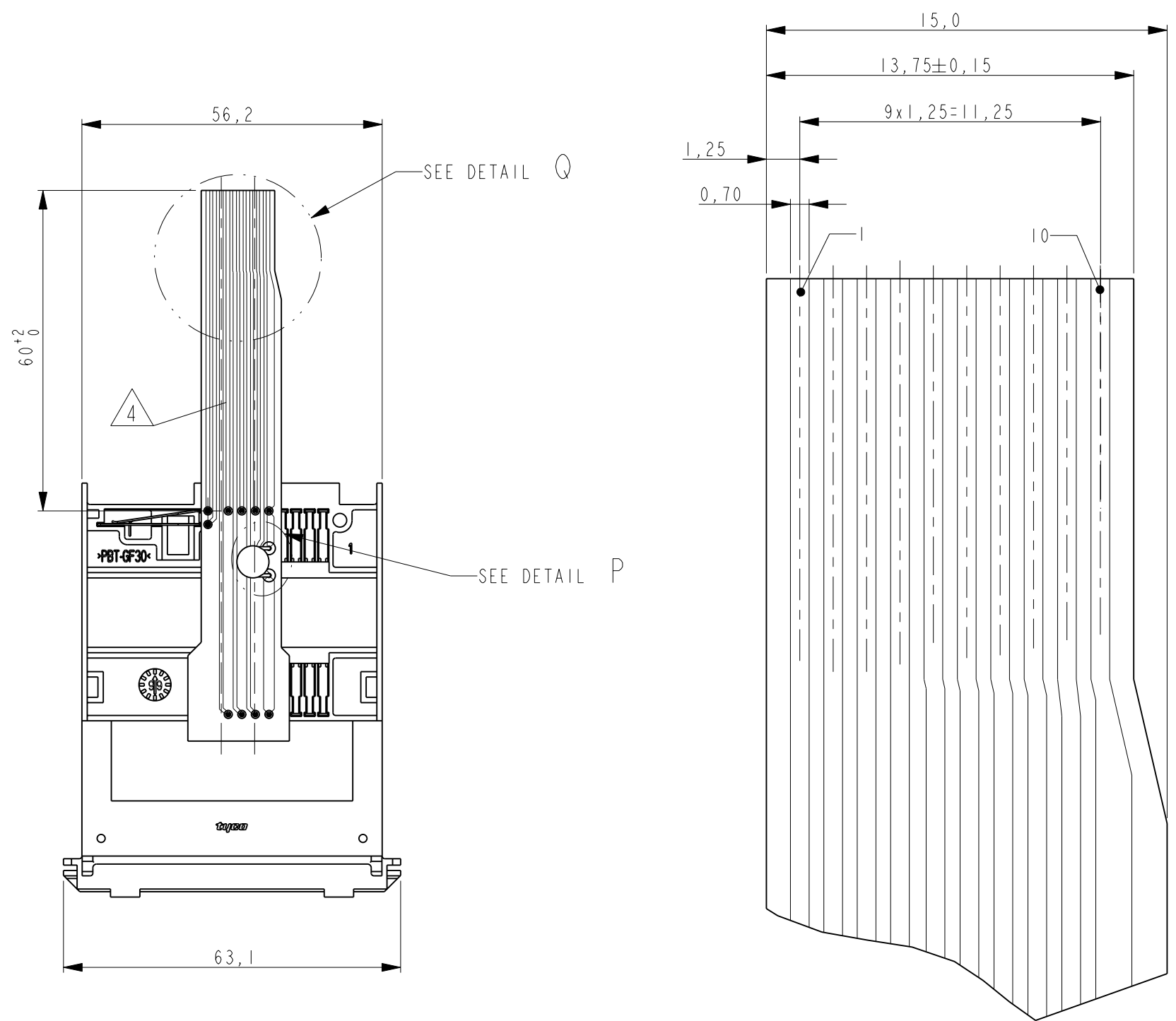
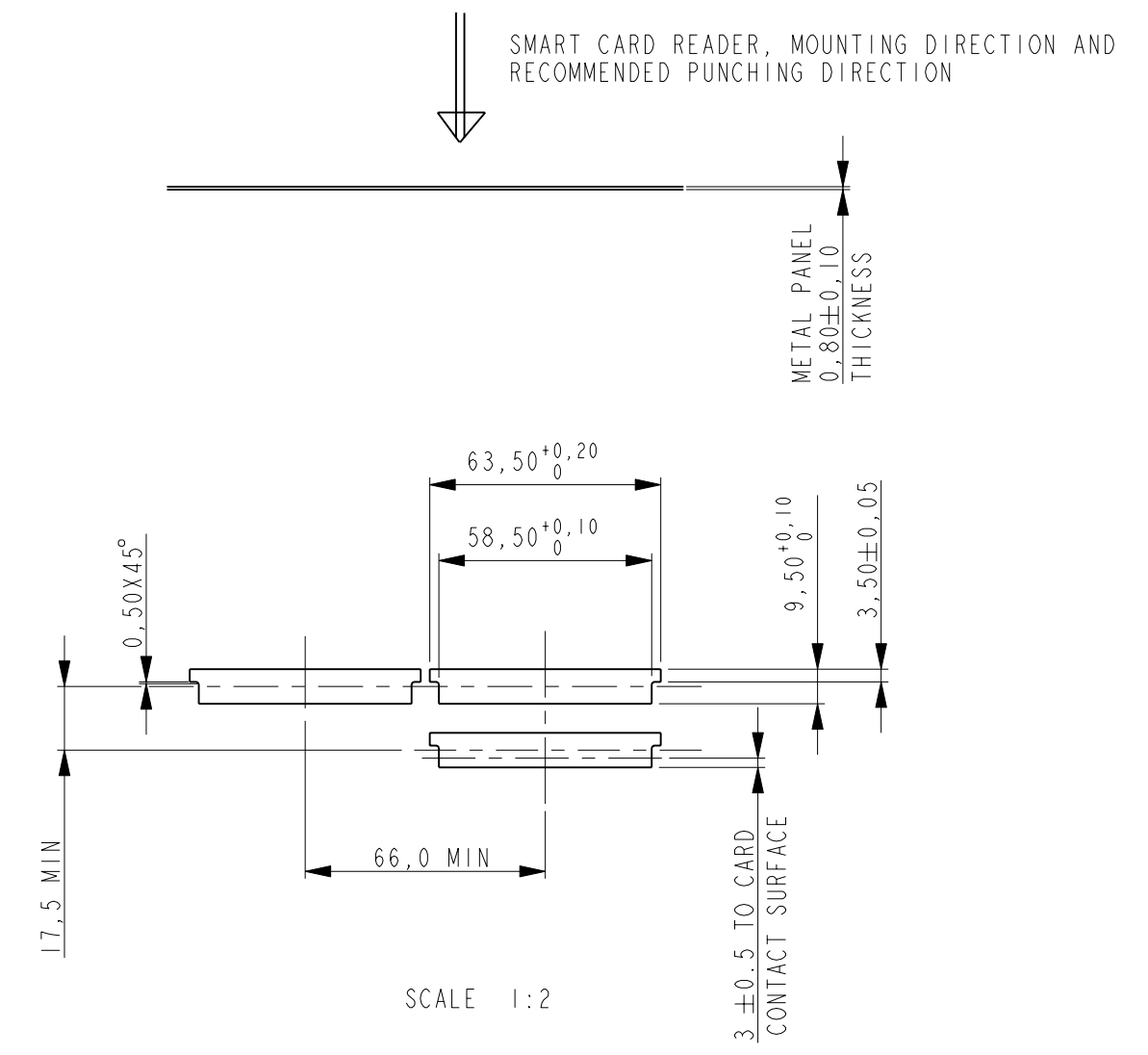


THIS DRAWING IS UNPUBLISHED. RELEASED FOR PUBLICATION
 © COPYRIGHT - ALL RIGHTS RESERVED.

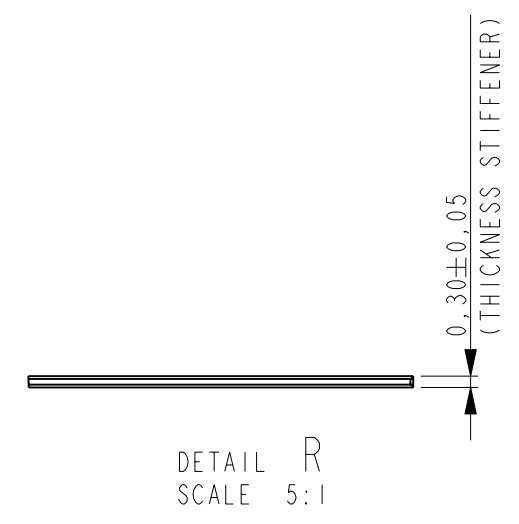
LOC		DIST		REVISIONS			
P	LTR	DESCRIPTION	DATE	DWN	APVD		
C		ECR-09-024818	12 NOV 2009	GG	PCH		
CI		ECR-11-004915	08 MAR 2011	GG	PKS		



RECOMMENDED METAL PANEL CUT-OUT



- NOTES:
- CONTACTS PLATING :
- ① OVERALL: Ni 2µm MIN, ALL OVER THE CONTACTS.
SOLDER ZONE: Sn 2.5µm MIN ON THE SOLDER ZONE OF THE CONTACTS.
MATING ZONE: PLATING CONFIRMS TO PRODUCT REQUIREMENTS AS PER SPECIFICATION 108-15202.
- MATERIAL :
- ② HOUSING: PBT-GF, BLACK UL 94V0.
CONTACTS: PHOSPHOR BRONZE.
 - ③ TE SMART CARD RECEPTACLE DESIGNED TO ACCEPT ISO 7810-7816 TYPE INTEGRATED CIRCUIT SMART CARDS (0.76MM REF. THICKNESS)
 - ④ BASEFILM: POLYESTER, THICKNESS 100 µm
CONDUCTOR: COPPER, THICKNESS 35 µm
COVERCOATING: COLOR GREEN, THICKNESS 15-25 µm



THIS DRAWING IS A CONTROLLED DOCUMENT.		DWN 23 FEB 2005 J.V.D. HEIJDEN	TE Connectivity	
DIMENSIONS: mm		CHK P. JAEGER		
TOLERANCES UNLESS OTHERWISE SPECIFIED:		APVD J. BROEKSTEEG	PRODUCT SPEC	SIZE A2
0 PLC ±1		APPLICATION SPEC	APPLICATION SPEC	CAGE CODE 00779
1 PLC ±0.2		WEIGHT	WEIGHT	DRAWING NO. C-1857012
2 PLC ±0.1		RESTRICTED TO		
3 PLC ±		SCALE		
4 PLC ±		SHEET OF		
ANGLES ±		REV. CI		
FINISH				