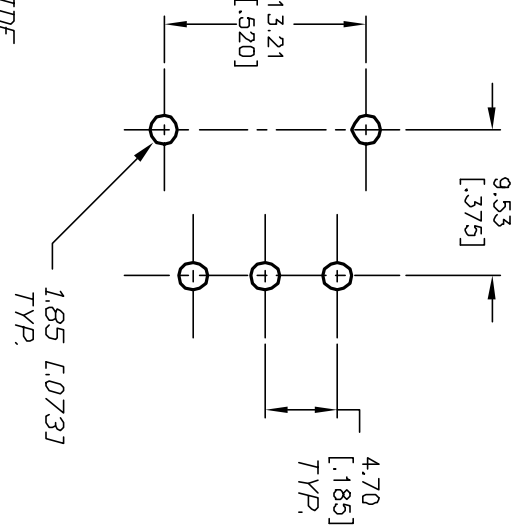
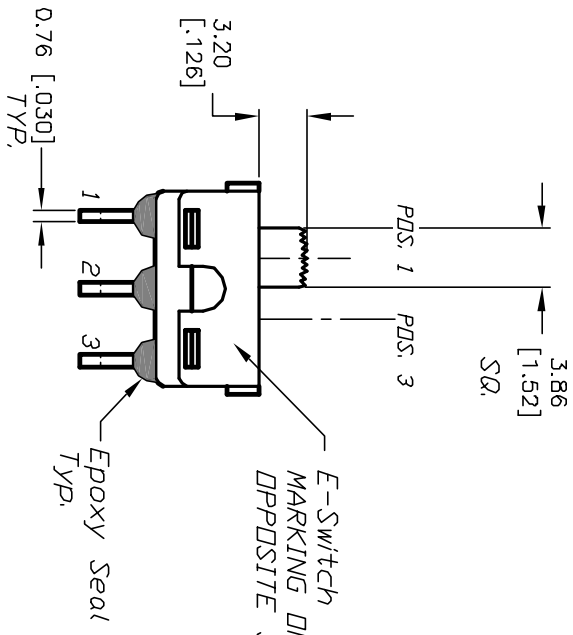
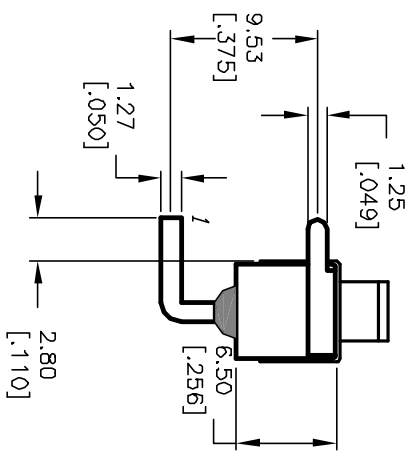
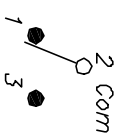


TRAVEL
SEE NOTE 10



RECOMMENDED P.C.B. LAYOUT

CIRCUIT: SPDT



SWITCH FUNCTION		
PDS. 1	PDS. 2	PDS. 3
DN	NONE	DN
2-1	OPEN	2-3

NOTES:

1. ALL DIMENSIONS IN MM [INCH]
2. GENERAL TOLERANCE: X.X=±0.4 X.XX=±0.25
3. TERM NOS. FOR REF. ONLY
4. RATING: 0.4VA @20V AC or DC max.
5. CONTACT MATERIAL:
Copper Alloy w/Gold plate over Nickel plate.
6. ELECTRICAL LIFE: 30,000 ACTUATIONS @Full Load
7. INSULATION RESISTANCE: 1000 Mega Ohms min.
8. DIELECTRIC STRENGTH: 1000V RMS @SEA LEVEL.
9. OPERATING TEMPERATURE: -30°C TO 85°C
10. TRAVEL: 2.16mm

B				
A	12386	RELEASED FOR PRODUCTION	8/26/02	CJB
REV.	ECN No.	DESCRIPTION	DATE	CHKD

TITLE		SCALE	DATE	DR	DWG	REV
500 SSP-1 S4 M6 R E A (GOLD CONTACTS)		2:1	--	--	TS11018	A

E-SWITCH®

THE INFORMATION CONTAINED IN THIS DOCUMENT IS PROPRIETARY TO E-SWITCH AND IS NOT TO BE COPIED OR TRANSFERRED