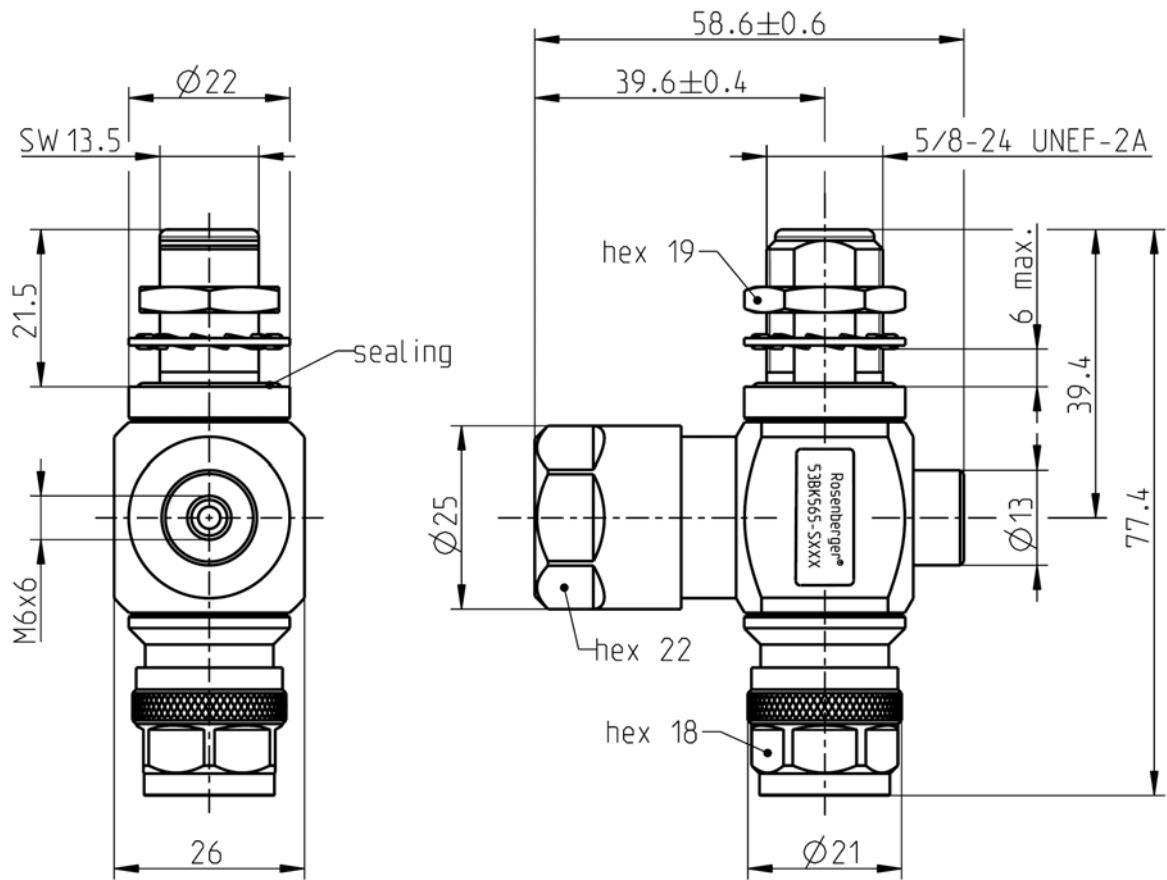


N 50 Ω

SURGE ARRESTER
JACK - PLUG

53BK565-SXXXN1



All dimensions are in mm; tolerances according to ISO 2768 m-H

Order No	Nom. DC spark over voltage	Residual voltage (20kA 8/20 μs)	Residual voltage (4kV 1.2/50μs, 2kA 8/20 μs)	Residual energy (4kV 1.2/50μs, 2kA 8/20 μs)	Power handling (20 °C, sea level, VSWR 1.0)	Gas capsule
53BK565-S090N1	90 V	≤ 650 V	≤ 650 V	≤ 1.2 mJ	1000 W	53ZB01-090
53BK565-S230N1	230 V				5000 W	53ZB01-230
53BK565-S350N1	350 V				10000 W	53ZB01-350

Interface

According to IEC 61169-16, MIL-PRF-39012, CECC 22210

Documents

Panel piercing B 13
 Assembly instruction MA_60X2

Material and plating

Connector parts

- Center contact jack side
- Center contact plug side
- Outer contact
- Body
- Dielectric
- Gasket

Material

- Spring bronze
- Brass
- Brass
- Brass
- PTFE
- Silicone

Plating

- Silver, 3-6 μm
- Silver, 3-6 μm
- Flash white bronze over silver (e.g. Optargen®)
- Flash white bronze over silver (e.g. Optargen®)

Dieses Dokument ist urheberrechtlich geschützt • This document is protected by copyright • Rosenberger Hochfrequenztechnik GmbH & Co. KG

RF_35/05.10/6.0

N 50 Ω

**SURGE ARRESTER
JACK - PLUG**

53BK565-SXXXN1

Electrical data

Impedance	50 Ω
Frequency	698 to 2700 MHz
Return loss	≥ 21 dB, 698 to 800 MHz ≥ 26 dB, 800 to 960 MHz ≥ 21 dB, 960 to 1700 MHz ≥ 26 dB, 1700 to 2200 MHz ≥ 24 dB, 2200 to 2500 MHz ≥ 21 dB, 2500 to 2700 MHz
Insertion loss	≤ 0.1 dB
Center contact resistance	≤ 5 mΩ
Outer contact resistance	≤ 5 mΩ
RF-leakage	≥ 128 dB @ DC to 1 GHz
Intermodulation 3 rd order	< -117 dBm @ 2 x 20 W
Nominal impulse discharge current	10 x 20 kA (8/20 μs) 1 x 30 kA (8/20 μs)

Mechanical data

Mating cycles	≥ 500
Coupling nut retention	≥ 450 N
Center contact captivation: axial	≥ 28 N
radial	≥ 3 Ncm
Coupling test torque	≤ 1.7 Nm
Recommended torque	0.7 Nm to 1.1 Nm

Environmental data

Temperature range	-45°C to +85°C
Thermal shock	MIL-STD-202, Meth. 107, Cond. B
Corrosion	MIL-STD-202, Meth. 101, Cond. B
Vibration	MIL-STD-202, Meth. 204, Cond. B
Shock	MIL-STD-202, Meth. 213, Cond. I
Moisture resistance	MIL-STD-202, Meth. 106
Degree of protection	IEC 60529, IP68 1h, 2.5 bar (mated condition)
RoHS	compliant

Weight

Weight 240 g/pce

While the information has been carefully compiled to the best of our knowledge, nothing is intended as representation or warranty on our part and no statement herein shall be construed as recommendation to infringe existing patents. In the effort to improve our products, we reserve the right to make changes judged to be necessary.

Draft	Date	Approved	Date	Rev.	Engineering change number	Name	Date
H.Schütt	22.12.10	J_Gramsamer	15.04.15	500	15-0397	J_Krautenb.	15.04.15
Rosenberger Hochfrequenztechnik GmbH & Co. KG P.O.Box 1260 D-84526 Tittmoning Germany www.rosenberger.de						Tel. : +49 8684 18-0 Email : info@rosenberger.de	
							Page 2 / 2