

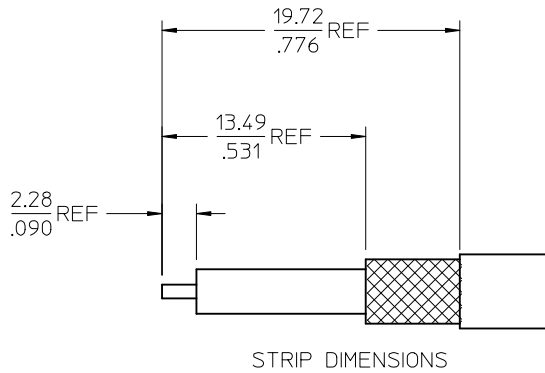
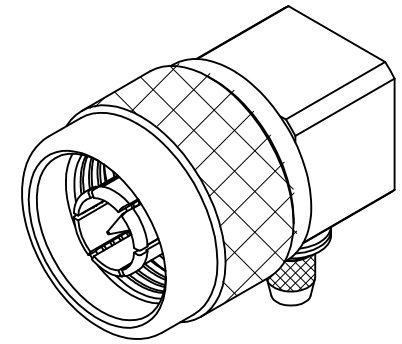
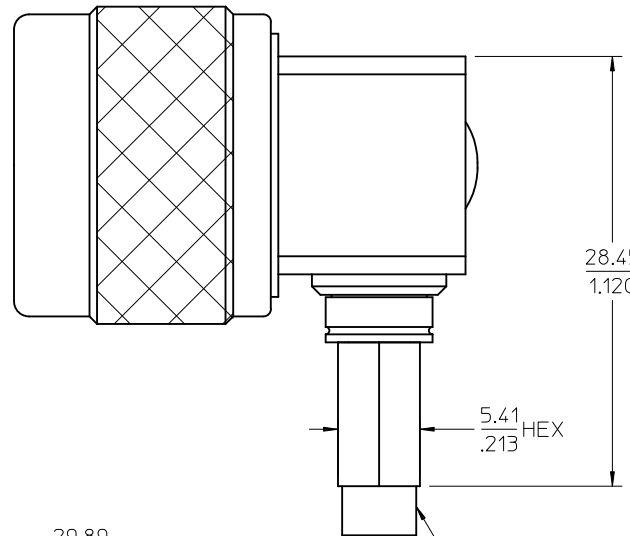
MATERIALS AND FINISHES

BODY, COUPLING NUT, CAP, OUTER CONTACT BRASS
PLATED NICKEL

CENTER CONTACT BRASS
PLATED GOLD

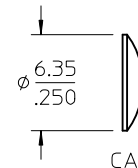
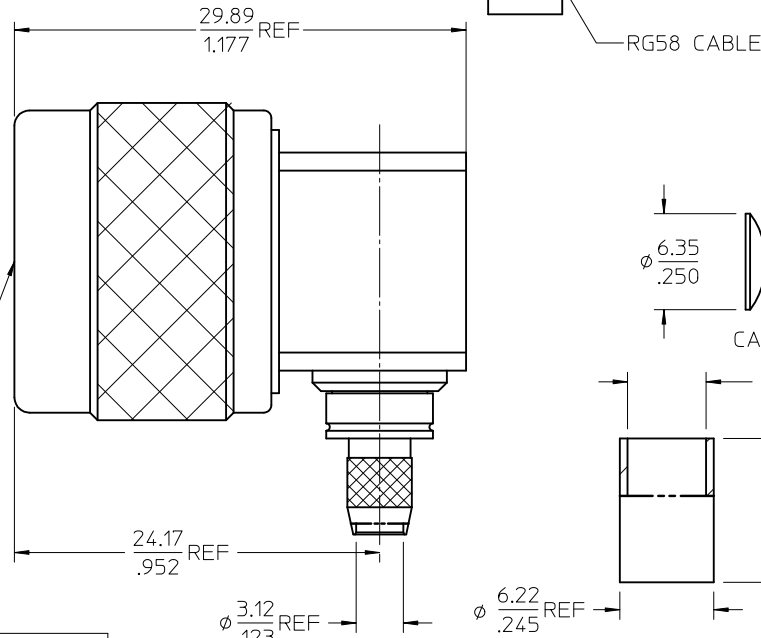
INSULATOR TEFLON

GASKET SILICONE RUBBER

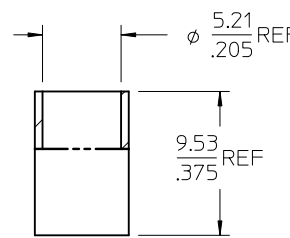


STRIP DIMENSIONS

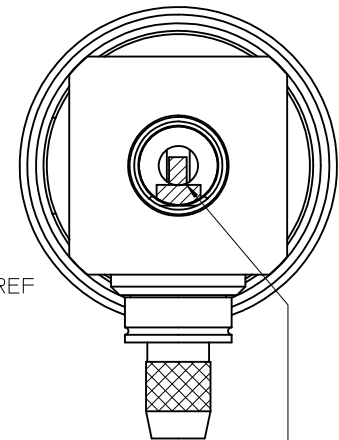
N PLUG
INTERFACE



CAP



CRIMP TUBE



CABLE DIELECTRIC MUST
COME CLOSE TO THE CENTER
CONTACT AS POSSIBLE

73276-0191	ONE PER BAG
73276-0190	STANDARD
PART NO.	PACKAGING

MIL-STD-348A, FIG. 304.1	INTERFACE
SPECIFICATION	DESCRIPTION

CHG: ADD -0191	EC NO: URF2011-0614	2011/04/18
	DRWN: JWIENER	2011/04/18
REV	CHKD: SSS	2011/04/18
	APPR: JWIENER	2011/04/20
DESCRIPTION		
B1		

QUALITY SYMBOLS	▽=0
▽=0	

GENERAL TOLERANCES (UNLESS SPECIFIED)	mm	INCH
4 PLACES	± .005	± .0002
3 PLACES	± .002	± .0001
2 PLACES	± .001	± .00005
1 PLACE	± .0005	± .00002
ANGULAR ± 2°		
DRAFT WHERE APPLICABLE MUST REMAIN WITHIN DIMENSIONS		

DIMENSION STYLE		SCALE
MM/IN		DESIGN UNITS
DRAWN BY		DATE
JM		2005/08/24
CHECKED BY		DATE
JM		2005/08/24
APPROVED BY		DATE
JDW		2005/08/24
MATERIAL NO.		DOCUMENT NO.
SEE TABLE		SD-73276-019
SIZE		SHEET NO.
C		1 OF 1

THIRD ANGLE PROJECTION	
TITLE	
N PLUG, R/A FOR RG58 CABLE, 50 OHMS EWR-2894, N-PC/RA	
MOLEX INCORPORATED	
THIS DRAWING CONTAINS INFORMATION THAT IS PROPRIETARY TO MOLEX INCORPORATED AND SHOULD NOT BE USED WITHOUT WRITTEN PERMISSION	