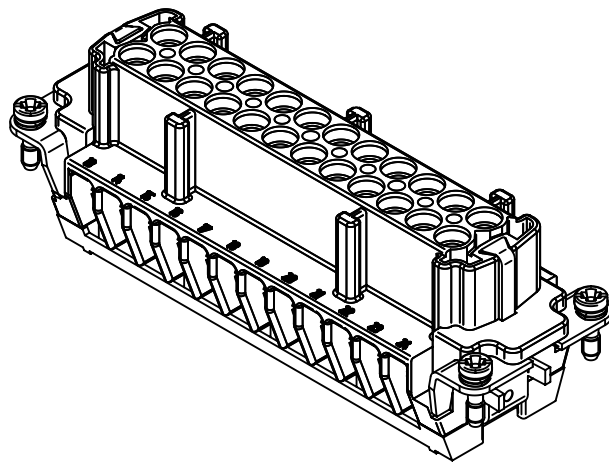
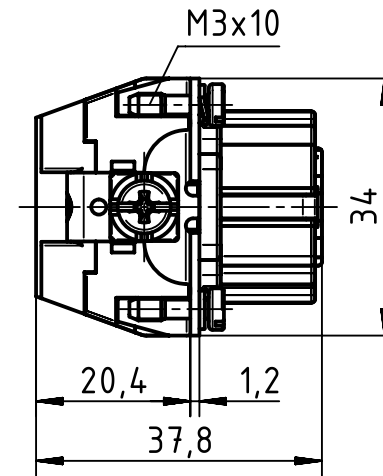
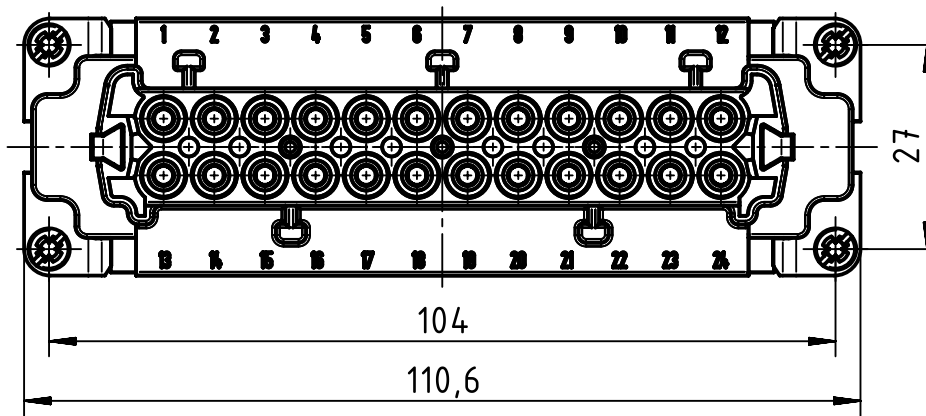
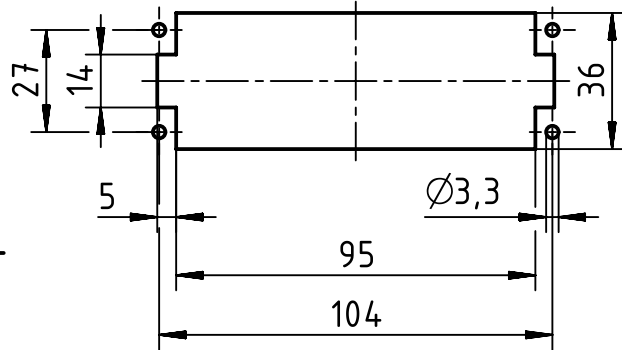



panel cut out (1:2)



| | | | | | | | |
|---|--|-------------------------------------|--------------------------|--------------------------|-----------------------------|--|------------------------|
|  | All Dimensions in mm Original Size DIN A4 | | Scale 1:1 | Free size tol. | | Ref. | |
| | All rights reserved Department EL PD - DE | | Created by HOLLERT | Inspected by SPILKERN | Standardisation TIEMANNA | Date 2013-11-05 | State Final Release |
| HARTING Electric GmbH & Co. KG D-32339 Espelkamp | | Title Han High Temp 24E-s female | | | | Doc-Key / ECM-Nr. 100528785/UGD/001/A 500000067351 | |
| | | Type TB | Number 09 33 824 2701 | | | Rev. A | Page 1/1 |