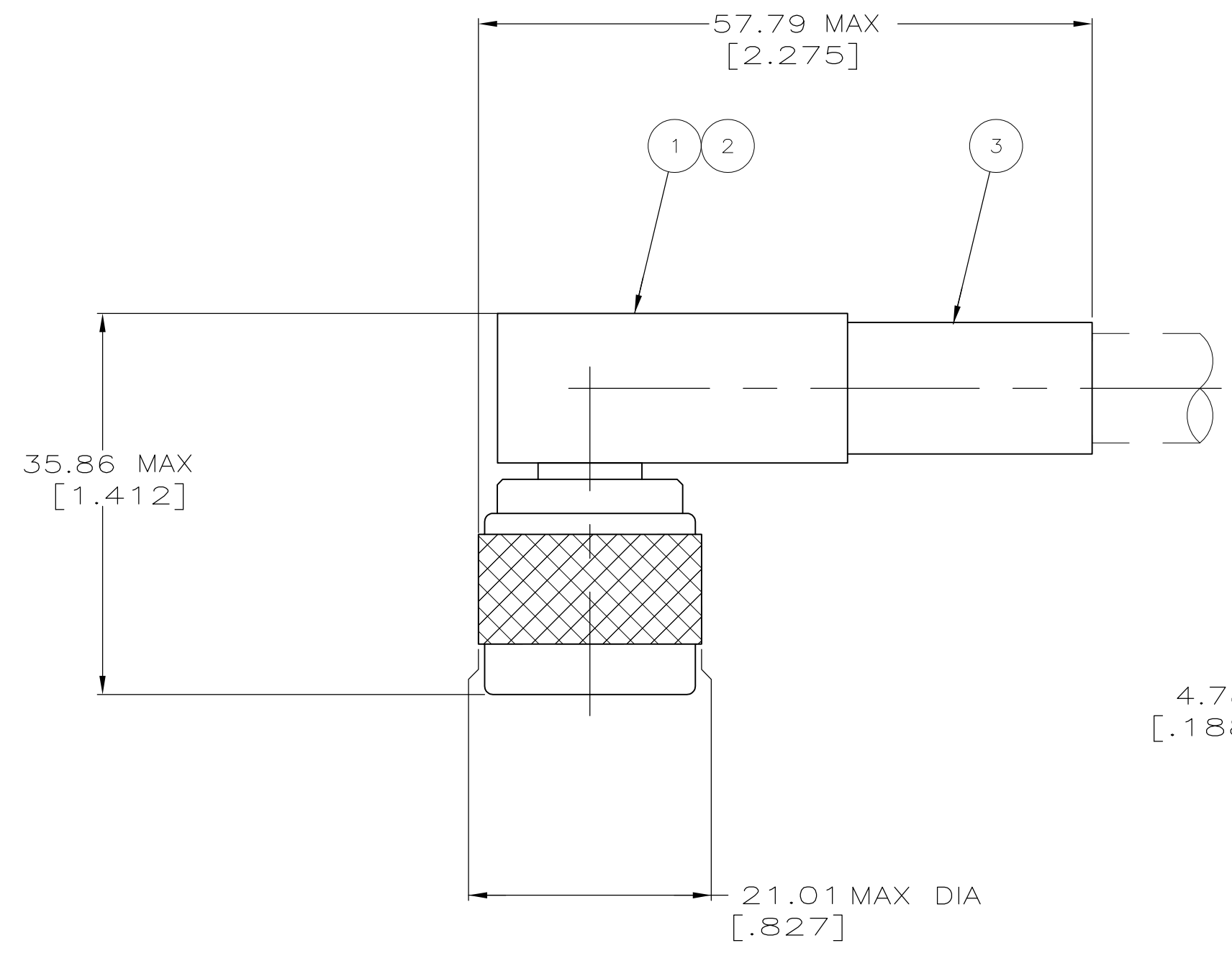
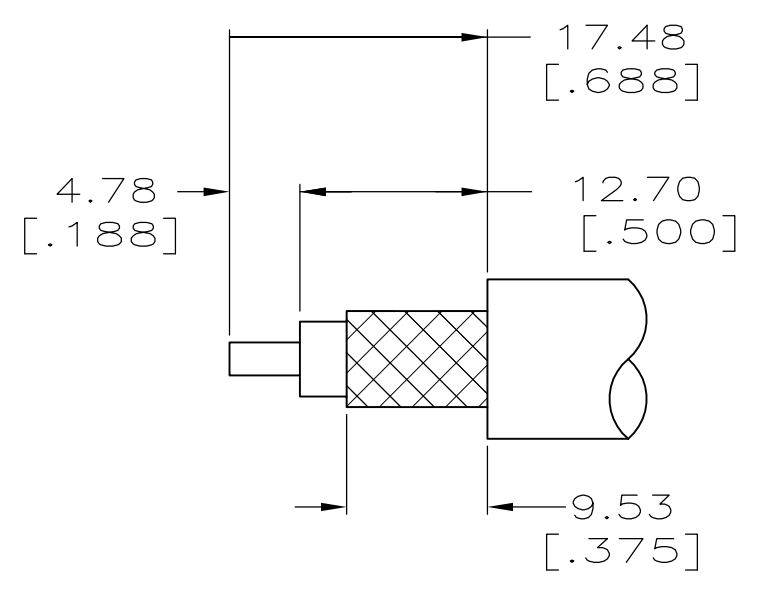


THIS DRAWING IS UNPUBLISHED. RELEASED FOR PUBLICATION
 © COPYRIGHT - By - ALL RIGHTS RESERVED.

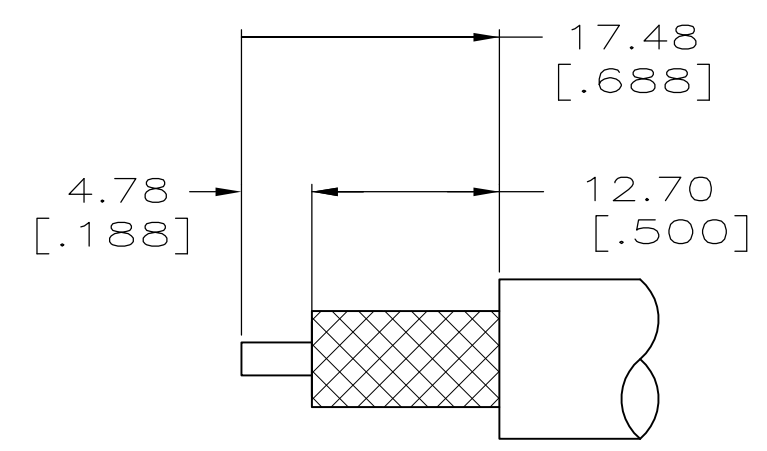
LOC	DIST	REVISIONS			
P	LTR	DESCRIPTION	DATE	DWN	APVD
AJ	16				
	G2	REVISED PER ECO-12-008922	06SEP12	MGM	WM



- 1. USE CRIMPING TOOL 220015-1
- 2. SEE I S 2028-5



RECOMMENDED STRIP LENGTH
(FOR -2 ONLY)



RECOMMENDED STRIP LENGTH

OBSOLETE	-	-	-	-	-	1-225014-0
OBSOLETE	RG-115A/U	225014-4 AMP	51713-2	51704-2	225350-1	225014-4
	RG-214/U	00779M39012/05 B 0003 AMP & DATE CODE	9-51713-4	51704-2	225327-1	225014-3
	RG-213/U	00779M39012/05 B 0002 AMP & DATE CODE	9-51713-4	51704-2	225327-1	225014-2
	CABLE SIZE	STAMPING	③ FERRULE QTY=1	② CONTACT QTY=1	① PLUG ASSY QTY=1	PART NUMBER

THIS DRAWING IS A CONTROLLED DOCUMENT.

DWN NIK FRITZ 8-3-90	 TE Connectivity PLUG, RIGHT ANGLE, SERIES N
CHK M. SNEED 1-21-90	
APVD -	
NAME	
DIMENSIONS: INCHES	PRODUCT SPEC 108-12019
TOLERANCES UNLESS OTHERWISE SPECIFIED: 0 PLC ± - 1 PLC ± - 2 PLC ± 0.41 [.016] 3 PLC ± - 4 PLC ± - ANGLES ± -	APPLICATION SPEC
MATERIAL	WEIGHT
FINISH	SCALE 4:1
	CUSTOMER DRAWING

SIZE: A2 CAGE CODE: 00779 DRAWING NO: 225014 SHEET: 1 of 1 REV: G2