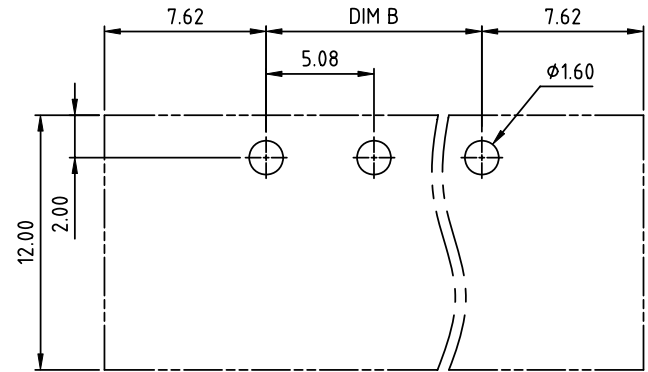
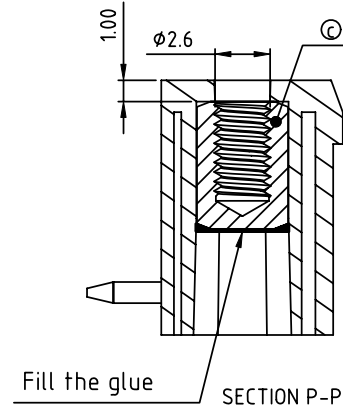
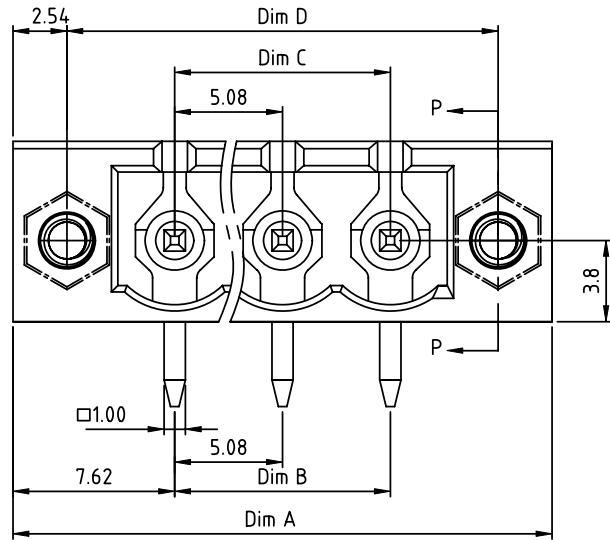
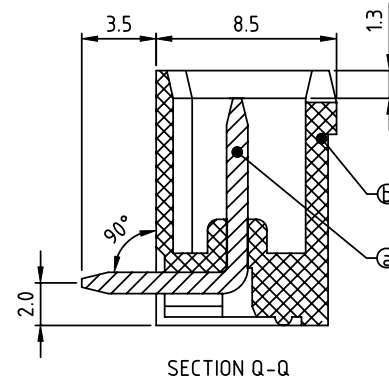
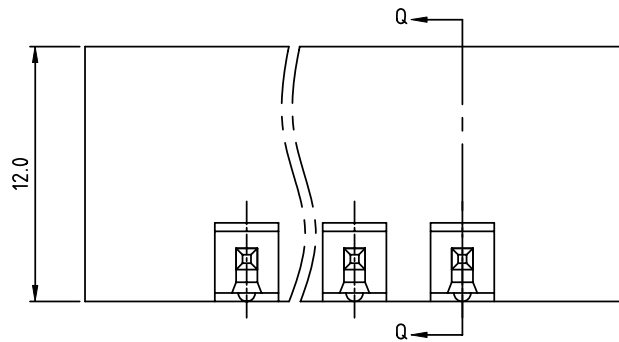


PRODUCT NUMBER	PITCH
OQxx55x100J0G	5.08 mm



RECOMMENDED P.C.B LAYOUT
TOP VIEW



Material:

- Item a Male contact pin: Copper Tin plated
- Item b Terminal housing: Thermoplastic (UL94V-0)
- Item c Flange nut: Brass ,M2.5

Electrical:

- Voltage rating: 300V/300V/300V
- Current rating: 20A/20A/20A
- Withstanding Voltage: 1.6 KV/2.5KV/2.5KV
- Operating temperature: -40°C to +115°C
- Soldering temperature: 260°C±5°C/5 Sec
- Safety Approval:

DIMENSION

Dim A	(N+2)×5.08
Dim B&C	(N-1)×5.08
Dim D	(N+1)×5.08

N = Number of poles

Poles	Tolerance
2-6p	±0.15
7-12p	±0.20
13-18p	±0.30
19-24p	±0.40

PART NO.: OQ xx 5 5 x 1 00J0 G

No. of poles	Body Color	RoHS compliant
02 2 poles	0 Black (RAL9005)	(lead<4%) In copper Alloy
03 3 poles	2 Red (RAL3001/D)	
...	3 Orange(RAL2011/P)	
...	4 Yellow(RAL1018/A)	
24 24 poles	5 Green(RAL6018/T)	
	6 Blue (RAL5015/A)	
	8 Grey(RAL7035/D)	
	9 White(RAL1102)	
	C Green(RAL6018/U)	

mat'l. code		surface ASME Y14.5	tolerance ASME Y14.5	projection	product family
ltr	ecn no	dr	date		TERMINAL BLOCK
tolerances unless otherwise specified				MM	title
angles		X.±0.5		scale	TERMINAL BLOCK
X*±1°		X.X±0.3			PLUGGABLE SOCKET, WITH FLANGE, RIGHT ANGLE
dr		HANKE FENG	040314		dwg no
enrg		HANKE FENG	040314		sheet 1 of 1
chr		SHI JUN	040314		size
appd		SHI JUN	040314		A4
sheet index	revision	A		type	CUSTOMER Drawing
	sheet	1			