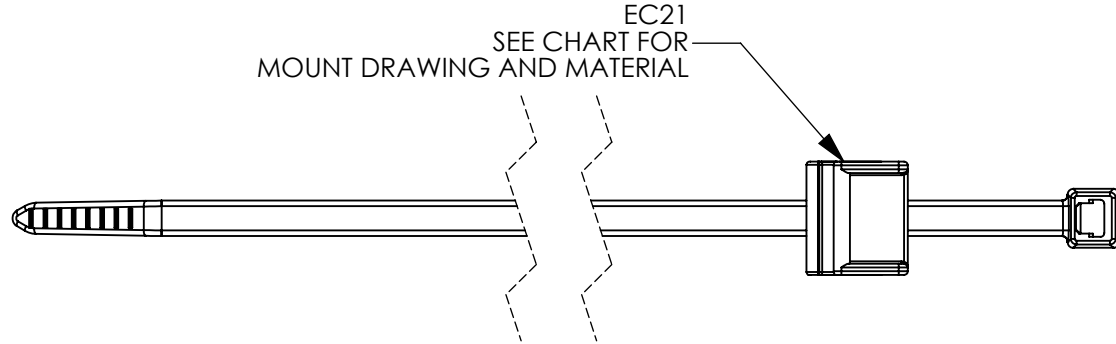
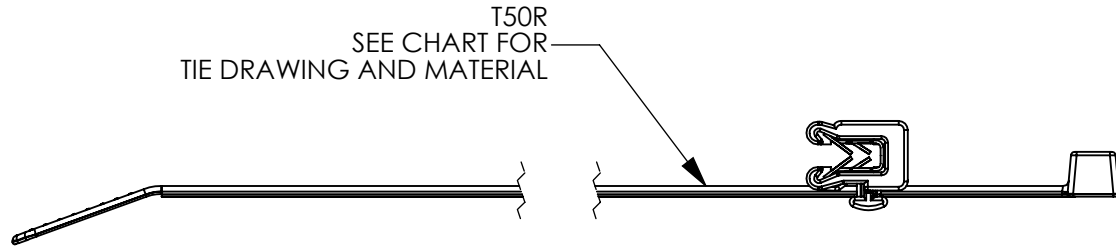


Revision level		Revision Record	Changed	Date	Approved	Date
Part	Drawing					
-	01	See ECN 011333	AAC	07/09/2009	KAC	07/09/2009



DELIVERY CONDITION:
CABLE TIE HEAD COULD BE AT THE LEFT OR RIGHT SIDE OF EDGE CLIP

TYPE	BUNDLE RANGE	CABLE TIES		MOUNT	
		DRAWING	MATERIAL	DRAWING	MATERIAL
T50REC21	5 to 50	CT2050007CST	PA66HS PA66UV PA46	XCL-HTG159CST	PA66HIRHS
	12.7 to 44.5	CT2050007CSTPPP	PP		

SEE CHART

Material

Dimension tolerances unless otherwise specified	SW 2007	
.xxxx = ±.013	<p>ALL PROPRIETARY RIGHTS IN THE SUBJECT MATTER SHOWN ON THIS DRAWING ARE EXCLUSIVE PROPERTY OF HELLERMANNNTYTON</p> <p>7930 N. Faulkner Rd. Milwaukee, WI 53224 Ph: (414) 355-1130 Fx: (414) 362-8342</p>	
.xxx = ±.13		
.xx = ±.3		
.x = ±.8		
∠ = ±0.5°		
Dimension Units millimeters	<p>Drawn AAC 07/09/2009</p> <p>Approved KAC 07/09/2009</p>	
PERFORMANCE SPECIFICATION	<p>Scale 1:1</p> <p>Computer File Number CT2050063CST_01</p> <p>Title T50REC21 T50R STANDARD CABLE TIE WITH EC21 MOUNT</p> <p>Drawing-No CT2050063CST</p> <p>Format AH</p> <p>Sheet 1 of 1</p>	

SW 2007

ALL PROPRIETARY RIGHTS IN THE SUBJECT MATTER SHOWN ON THIS DRAWING ARE EXCLUSIVE PROPERTY OF HELLERMANNNTYTON

Drawn AAC 07/09/2009

Approved KAC 07/09/2009

HellermannTyton®

7930 N. Faulkner Rd.
Milwaukee, WI 53224
Ph: (414) 355-1130
Fx: (414) 362-8342

Scale 1:1

Computer File Number CT2050063CST_01

Title **T50REC21
T50R STANDARD CABLE TIE
WITH EC21 MOUNT**

Drawing-No **CT2050063CST**

Format **AH**

Sheet 1 of 1

Product Number
Cross Reference Record

Uncontrolled Document

Pre-UNS Number System	(New) UNS Universal Number System	Customer Part Number
Product Number T50REC21	Product Number 156-00553	Product Number -
Reference Drawing Number: CT2050063CST		

Issued By:	(New) UNS Product Number	Issue Date:
HellermannTyton	Universal Numbering System	October 27, 2010