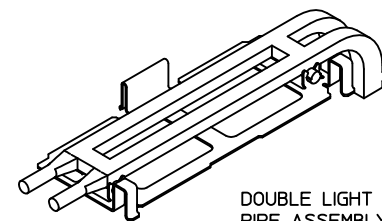
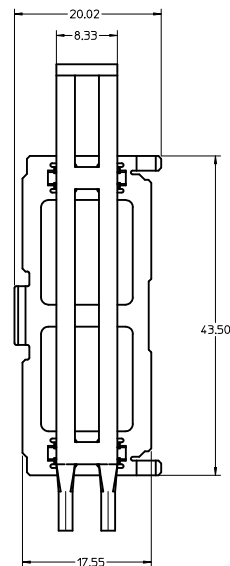
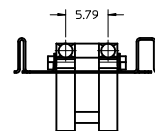
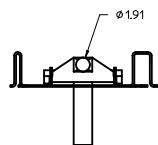


SINGLE LIGHT
PIPE ASSEMBLY
(74750-0030)



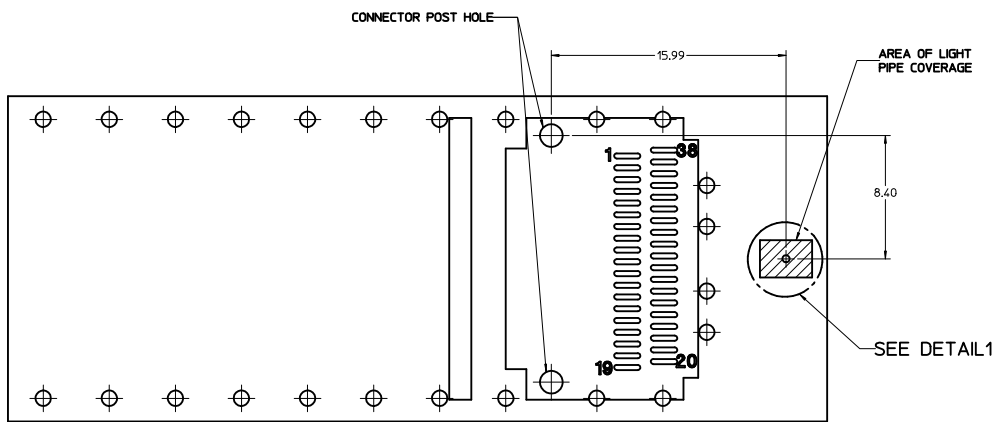
DOUBLE LIGHT
PIPE ASSEMBLY
(74750-0031)



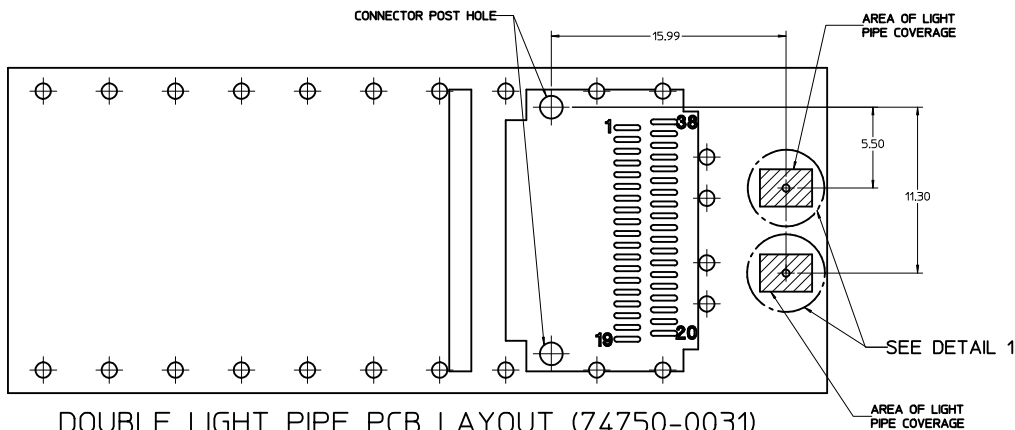
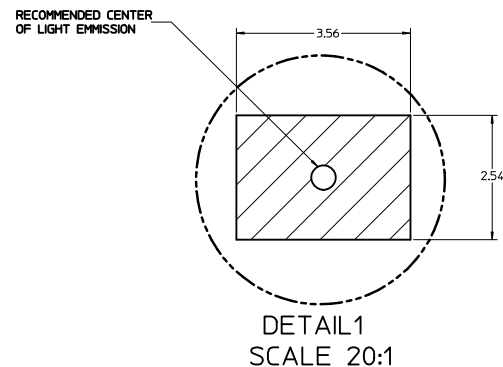
NOTES:

1. MATERIALS:
LIGHT PIPE CLIP: UNPLATED STAINLESS STEEL
LIGHT PIPE: CLEAR LEXAN
2. THESE LIGHT PIPE ASSEMBLIES TO BE USED WITH THE QSFP CAGE ASSEMBLY (74750-0001)
3. IT IS RECOMMENDED THAT THE CAGE ASSEMBLY BE PRESSED INTO THE PCB PRIOR TO ASSEMBLING THE LIGHT PIPE ASSEMBLY
4. RECOMMENDED LED'S INCLUDE THE FOLLOWING MANUFACTURERS:
DIALIGHT: 597-77X1-5XX SERIES
CHICAGO MINIATURE: 7016 SERIES
KINGBRIGHT: APBL3025 SERIES (BICOLOR)
APL3015 SERIES (SINGLE COLOR)
5. THIS PRODUCT MEETS THE RESTRICTION OF HAZARDOUS SUBSTANCES IN ELECTRICAL AND ELECTRONIC EQUIPMENT (RoHS) DIRECTIVE (2002/95/EC)

| | | | | | | | | | |
|---|--------------------------------------|--|----------------------|--|----------------------|--|--|---------------------------|--|
| ENTER DESCRIPTION IEC NO. USY2010-0460 DRAWN BY CHYKORUSSELL 2007/01/10 CHECKED BY APPRO:RAHMOOD 2010/03/31 | QUALITY SYMBOLS ▽=0 ▽=0 | GENERAL TOLERANCES (UNLESS SPECIFIED) | | DIMENSION STYLE MM ONLY | SCALE 3:1 | DESIGN UNITS METRIC | <input checked="" type="checkbox"/> THIRD ANGLE PROJECTION | | |
| | | 4 PLACES ± mm INCH ± --- | 3 PLACES ± --- ± --- | 2 PLACES ± 0.13 ± --- | 1 PLACE ± 0.25 ± --- | TITLE QSFP LIGHT PIPE ASSEMBLIES | | | |
| | | ANGULAR ± 1° | | DRAFT WHERE APPLICABLE MUST REMAIN WITHIN DIMENSIONS | | APPROVED BY RAHMOOD 2010/03/31 | | MOLEX INCORPORATED | |
| | | WATERL. NO. SEE ABOVE | | DOCUMENT NO. SD-74750-0030 | | SHEET NO. 1 OF 4 | | | |

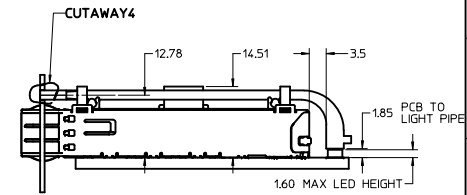
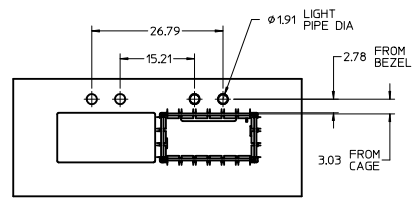
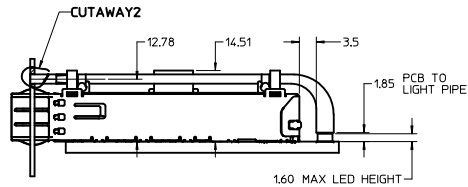
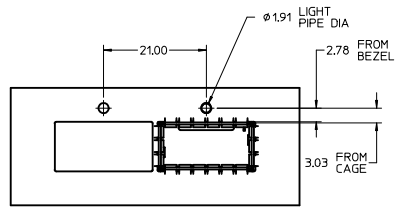
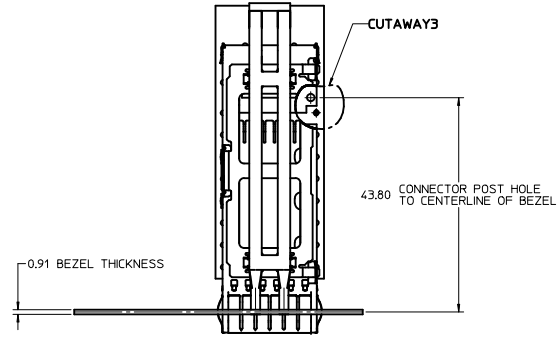
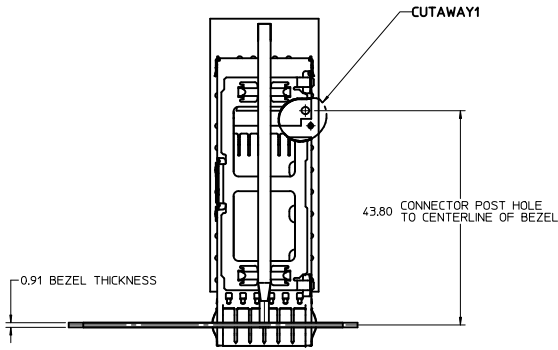


SINGLE LIGHT PIPE PCB LAYOUT (74750-0030)



DOUBLE LIGHT PIPE PCB LAYOUT (74750-0031)

| | | | | | | |
|---|---|--|--|---------------------|--------------------|-------------------------------------|
| ENTER DESCRIPTION IEC NO. USY2010-0460 DRAWN BY CHIRRSCHY 2008/07/08 CHECKED BY CHYD BRUSSELL 2007/01/10 APPROVED BY APPR:RAHMOOD 2010/03/31 | QUALITY SYMBOLS | GENERAL TOLERANCES (UNLESS SPECIFIED) | DIMENSION STYLE | SCALE | DESIGN UNITS | THIRD ANGLE PROJECTION |
| | ▼=0 ▽=0 | mm INCH 4 PLACES ± --- ± --- 3 PLACES ± --- ± --- 2 PLACES ± 0.13 ± --- 1 PLACE ± 0.25 ± --- ANGULAR ± 1° | MM ONLY DRAWN BY DATE CHIRRSCHY 2007/01/10 CHECKED BY DATE BRUSSELL 2007/01/10 APPROVED BY DATE RAHMOOD 2010/03/31 | 6:1 | METRIC | TITLE QSFP LIGHT PIPE ASSEMBLIES |
| | DRAFT WHERE APPLICABLE MUST REMAIN WITHIN DIMENSIONS | SEE SHEET 1 | MATERIAL NO. DOCUMENT NO. SD-74750-0030 | SHEET NO. 2 OF 4 | MOLEX INCORPORATED | |
| | THIS DRAWING CONTAINS INFORMATION THAT IS PROPRIETARY TO MOLEX INCORPORATED AND SHOULD NOT BE USED WITHOUT WRITTEN PERMISSION | | | | | |



| | | | | | | | |
|---|-----------------------------|--|---|----------------------------|-------------------------------|-------------------------------------|---------------------|
| ENTER DESCRIPTION IEC NO. USY2010-0460 DRAWN BY CHIRRSCHY 2008/07/08 CHECKED BY CHYDORUSSELL 2007/01/10 APPROVED BY RAHMOOD 2010/03/31 | QUALITY SYMBOLS | GENERAL TOLERANCES (UNLESS SPECIFIED) | DIMENSION STYLE | SCALE | DESIGN UNITS | THIRD ANGLE PROJECTION | |
| | ▼=0 ▽=0 | mm INCH 4 PLACES ± --- ± --- 3 PLACES ± --- ± --- 2 PLACES ± 0.13 ± --- 1 PLACE ± 0.25 ± --- ANGULAR ± 1° | MM ONLY | 2:1 | METRIC | | |
| | DESCRIPTION SEE SHEET 1 | DRAFT WHERE APPLICABLE MUST REMAIN WITHIN DIMENSIONS | DRAWN BY DATE CHIRRSCHY 2007/01/10 CHECKED BY DATE BRUSSELL 2007/01/10 APPROVED BY DATE RAHMOOD 2010/03/31 | WATERL. NO. SEE SHEET 1 | DOCUMENT NO. SD-74750-0030 | TITLE QSFP LIGHT PIPE ASSEMBLIES | SHEET NO. 3 OF 4 |
| | MATERIAL NO. SEE SHEET 1 | MOLEX INCORPORATED | THIS DRAWING CONTAINS INFORMATION THAT IS PROPRIETARY TO MOLEX INCORPORATED AND SHOULD NOT BE USED WITHOUT WRITTEN PERMISSION | | | | |

| DATE | REV | DESCRIPTION |
|------------|-----|--|
| 2008/04/03 | A | INITIAL RELEASE |
| 2009/04/13 | B | UPDATED VIEWS TO SHOW TOOLING CHANGES IN LIGHT PIPE CLIP AND CAGE (NO DIMENSIONS AFFECTED) |
| | | |
| | | |
| | | |
| | | |
| | | |
| | | |
| | | |
| | | |

| ENTER DESCRIPTION IEC NO: USY2010-0460 DRAWN BY: CHYKORUSSSELL 2007/01/10 CHECKED BY: APPR:RMAHMOOD 2010/03/31 | QUALITY SYMBOLS ▽=0 ▽=0 | GENERAL TOLERANCES (UNLESS SPECIFIED) <table border="1"> <thead> <tr> <th></th> <th>mm</th> <th>INCH</th> </tr> </thead> <tbody> <tr> <td>4 PLACES</td> <td>±---</td> <td>±---</td> </tr> <tr> <td>3 PLACES</td> <td>±---</td> <td>±---</td> </tr> <tr> <td>2 PLACES</td> <td>±0.13</td> <td>±---</td> </tr> <tr> <td>1 PLACE</td> <td>±0.25</td> <td>±---</td> </tr> </tbody> </table> ANGULAR ± 1° | | mm | INCH | 4 PLACES | ±--- | ±--- | 3 PLACES | ±--- | ±--- | 2 PLACES | ±0.13 | ±--- | 1 PLACE | ±0.25 | ±--- | DIMENSION STYLE MM ONLY | SCALE 1:1 | DESIGN UNITS METRIC | THIRD ANGLE PROJECTION |
|--|--|---|-----------------------------------|--------------------------------------|---|----------------------------|------|------|----------|------|------|----------|-------|------|---------|-------|------|-----------------------------------|---------------------|-------------------------------|----------------------------|
| | | mm | INCH | | | | | | | | | | | | | | | | | | |
| | 4 PLACES | ±--- | ±--- | | | | | | | | | | | | | | | | | | |
| | 3 PLACES | ±--- | ±--- | | | | | | | | | | | | | | | | | | |
| 2 PLACES | ±0.13 | ±--- | | | | | | | | | | | | | | | | | | | |
| 1 PLACE | ±0.25 | ±--- | | | | | | | | | | | | | | | | | | | |
| DRAWN BY: CHIRSCHY 2007/01/10 CHECKED BY: BRUSSELL 2007/01/10 APPROVED BY: RMAHMOOD 2010/03/31 | DRAFT WHERE APPLICABLE MUST REMAIN WITHIN DIMENSIONS | | WATERL. NO. SEE SHEET 1 | DOCUMENT NO. SD-74750-0030 | TITLE QSFP LIGHT PIPE ASSEMBLIES | SHEET NO. 4 OF 4 | | | | | | | | | | | | | | | |
| MATERIAL NO. | | | MOLEX INCORPORATED | | THIS DRAWING CONTAINS INFORMATION THAT IS PROPRIETARY TO MOLEX INCORPORATED AND SHOULD NOT BE USED WITHOUT WRITTEN PERMISSION | | | | | | | | | | | | | | | | |
| SIZE D | | | SEE SHEET 1 | | SD-74750-0030 | | | | | | | | | | | | | | | | |