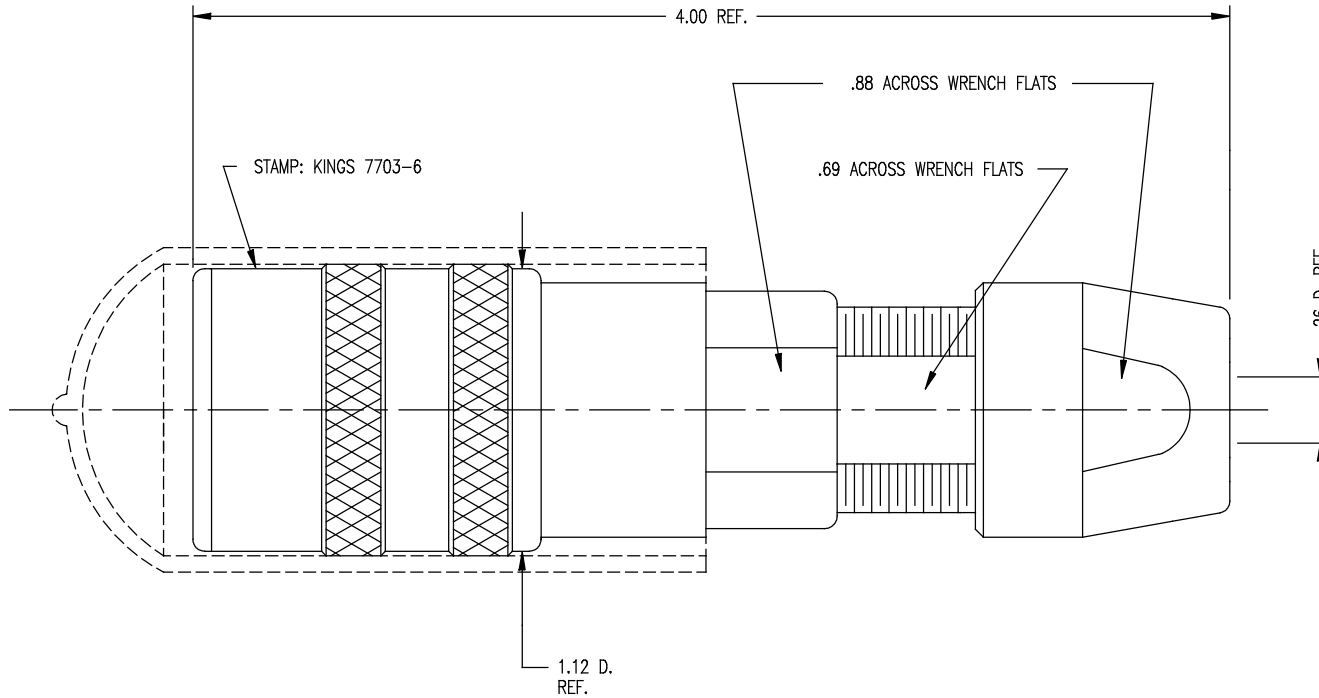


DASH NO.	M CODE	MADE FROM
----------	--------	-----------

GSD

7703-6

REVISIONS	
ISSUE	CHANGES
0	ER 37089 KH 08/08/96
1	CN 37238 D KH 02/03/97
2	CN 38024 E HVN 07/06/00



NOTES:

- FOR USE WITH BELDEN 88232 & COMM SCOPE 8000257 (780 CABLE GROUP).
- FOR CABLING INSTRUCTIONS SEE KAI-8010.
- FOR CRIMPING USE DIE SIZE KTH-2002.
- MATERIALS:  
 INSULATORS: TEFLON, ASTM-D-4894  
 GASKETS: SILICONE RUBBER, ZZ-R-765  
 CAP: VINYL  
 K-GRIP SLEEVE: COM'L BRONZE, ASTM-B-135  
 CENTER CONTACT }  
 OUTER CONTACT SPRING } BER. COPPER, ASTM-B-196  
 INSERT }  
 ALL OTHER METAL PARTS: BRASS, ASTM-B16

- FINISHES:  
 CENTER CONTACT } GOLD PLATE PER MIL-G-45204  
 OUTER CONTACT SPRING }  
 NUTS }  
 COLLET } KINGS TARNISH RESISTANT NICKEL FINISH (TR-5)  
 BODIES }  
 ALL OTHER METAL PARTS: SILVER PLATE PER QQ-S-365
- ELECTRICAL CHARACTERISTICS:  
 NOMINAL IMPEDANCE: 75 ~W  
 FREQUENCY RANGE: DC-500 MHZ  
 VOLTAGE BREAKDOWN: CENTER CONDUCTOR/INNER GROUND: 1500 VRMS  
 INNER GROUND/OUTER GROUND: 500 VRMS

KAM6259

SCALE 2:1

APPROX SURFACE AREA

WAS: E-19092

USED ON

REF:

JACK, TRI-LOC,  
SERIAL DIGITAL

DRAWN KH DATE 12/01/95

DESIGN FD DATE 12/02/95

APPR. FD DATE 12/11/95

**KINGS**  
ELECTRONICS CO., INC.  
TUCKAHOE, NEW YORK 10707

GSD

7703-6