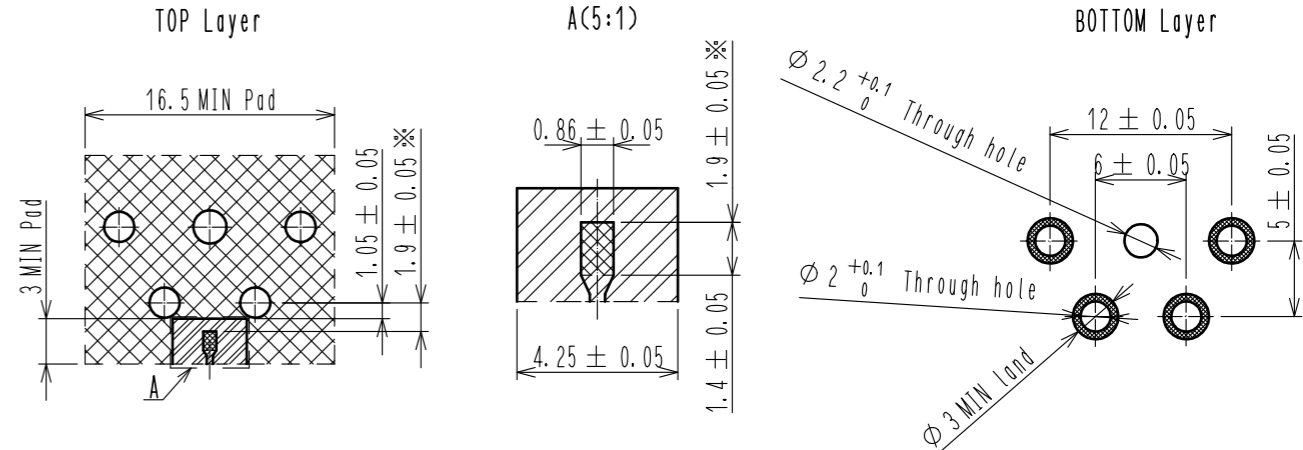
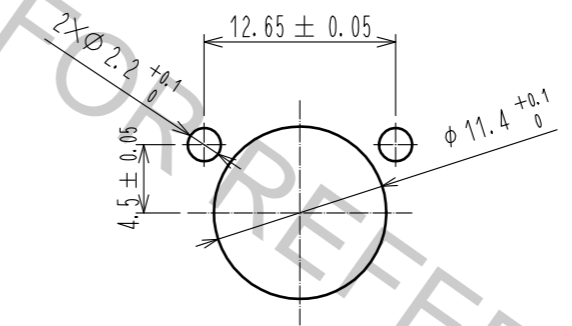


Recommended PCB Layout (t=1.6 FR4) Land/Pad Part Resist Part

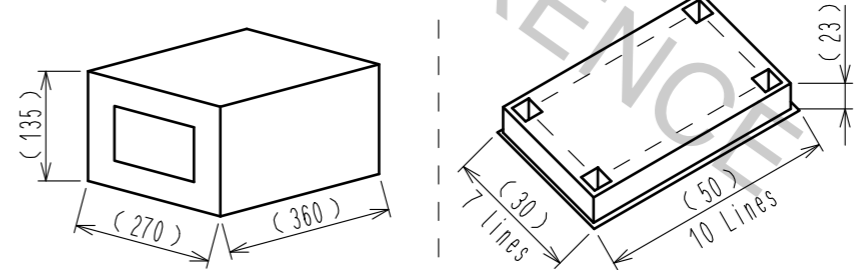


Note 1. ※ indicates duplicate dimension.
 2. This pattern is an example of the FCB.
 (thickness=1.6mm, material=FR4, layer thickness containing plating=0.035mm)

Reference: Panel Layout (Thickness 0.5~2.5mm)
 Screw: M2×0.4



Packing specification (FREE)



Packing unit: max 250pcs/box
 (Max 4 trays /box)

Max 70pcs/tray
 (There is some fraction trays)

2	SPS				
1	ZINC ALLOY	NICKEL PLATING	3	BERYLLIUM COPPER	GOLD PLATING
NO.	MATERIAL	FINISH, REMARKS	NO.	MATERIAL	FINISH, REMARKS
UNITS		SCALE	COUNT	DESCRIPTION OF REVISIONS	
mm		2 : 1	1	DIS-D-00001222	
APPROVED : KY. SHIMIZU		16.03.04	DESIGNED : MA. SAEKI		
CHECKED : KY. SHIMIZU		16.03.04	CHECKED : KY. SHIMIZU		
DESIGNED : YI. FUNADA		16.03.04	DATE : 16.05.31		
DRAWN : YI. FUNADA		16.03.04	DRAWING NO. : EDC-368283-00-00		
HRS HIROSE ELECTRIC CO., LTD.			PART NO. : BNC(75)-PLR-PC-12G-1		
			CODE NO. : CL302-0083-0-00		
			1/1		