

This drawing involves proprietary design rights of Tyco Electronics Corporation, and all design, manufacture, reproduction, use and sale rights regarding the same are expressly reserved. It is submitted for a specific purpose and the recipient by accepting this drawing, assumes custody and control and agrees to take reasonable precautions; (a) that this drawing will not be copied and reproduced, in whole or in part, or its contents revealed in any manner, or to any person except to meet the purpose for which it was delivered and (b) that any special features peculiar to this design will not be incorporated in other projects without the expressed written permission of Tyco Electronics Corporation.

REVISIONS			
EC	REV	DESCRIPTION	DATE
0S1Q-0112-05	A	NEW RELEASE	04/08/05

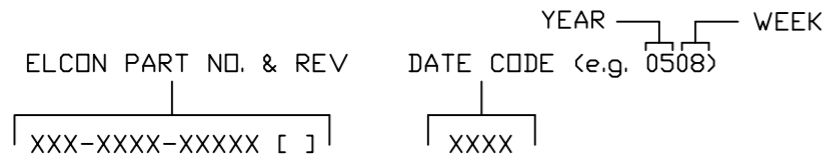
7. MODULE INFORMATION

CONNECTOR	TYCO PART NUMBER	ELCON PART NUMBER	CATALOG MODULE #	QTY	SIZE NO.	CONTACT QTY	MATING PIN	MAX. CURRENT (PER CONTACT)	CONTACT SPACING	VOLTAGE RATING*
SOCKET	6646742-1	279-0320-10200A	FP1104	12	8	12	1.25 X 7.00 [.049 X .276]	35 AMPERES	7.50 [2953]	250 VOLTS
			FP1303	1	22	24	.64 [.025] SQ.	3 AMPERES	2.50 [.0984]	125 VOLTS

*IAW IEC-950

NOTES: UNLESS OTHERWISE SPECIFIED.

- PART NUMBER CHANGES AND OR DESIGN CHANGES AFFECTING ITEM INTERCHANGEABILITY REQUIRE PRIOR ELCON APPROVAL AND AUTHORIZATION BY REVISION TO THIS DRAWING.
- MATERIALS:
 - INSULATORS: THERMOPLASTIC, GLASS REINFORCED, COLOR BLACK. UL94V-0 FLAMMABILITY RATED.
 - SOLDER SIGNAL PIN: BRASS ALLOY.
 - POWER CONTACTS: PHOSPHOR BRONZE ALLOY, COPPER ALLOY.
 - CROWN BANDS: BERYLLIUM COPPER ALLOY.
- FINISHES:
 - CONTACTS: GOLD PLATED PER MIL-G-45204 TYPE II, CLASS 0, .000030" MIN. THK, OVER NICKEL PER QQ-N-290, CLASS 2, .000040" MIN. THICKNESS.
 - TERMINALS: TIN PLATED, MATTE FINISH, .000100" MINIMUM THICKNESS.
- ALL POWER MODULES ARE NON HOT PLUG.
- ITEMS PROVIDED TO THIS SPECIFICATION TO BE PERMANENTLY IDENTIFIED PER THE FOLLOWING IDENTIFIER:

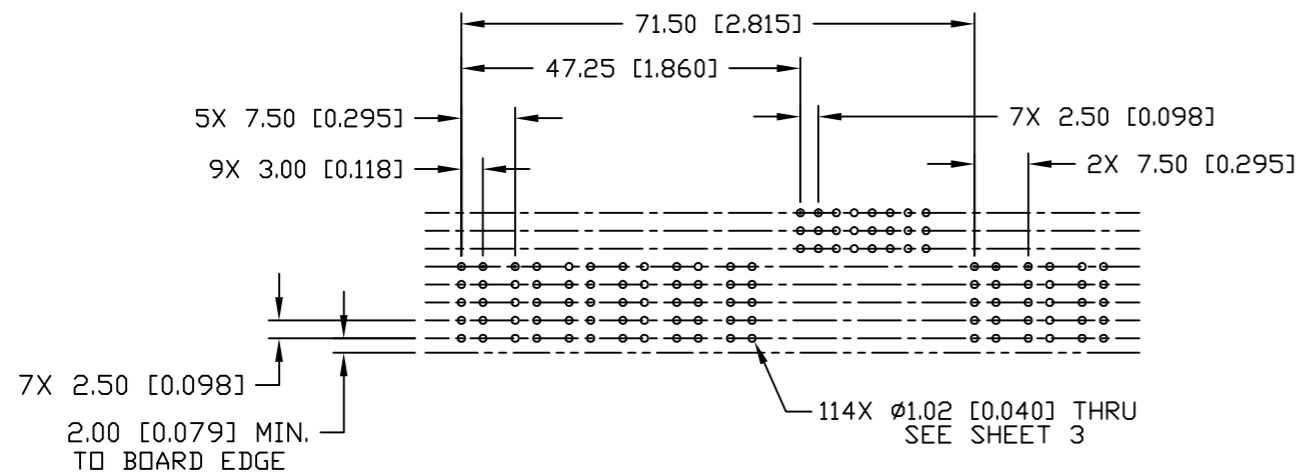
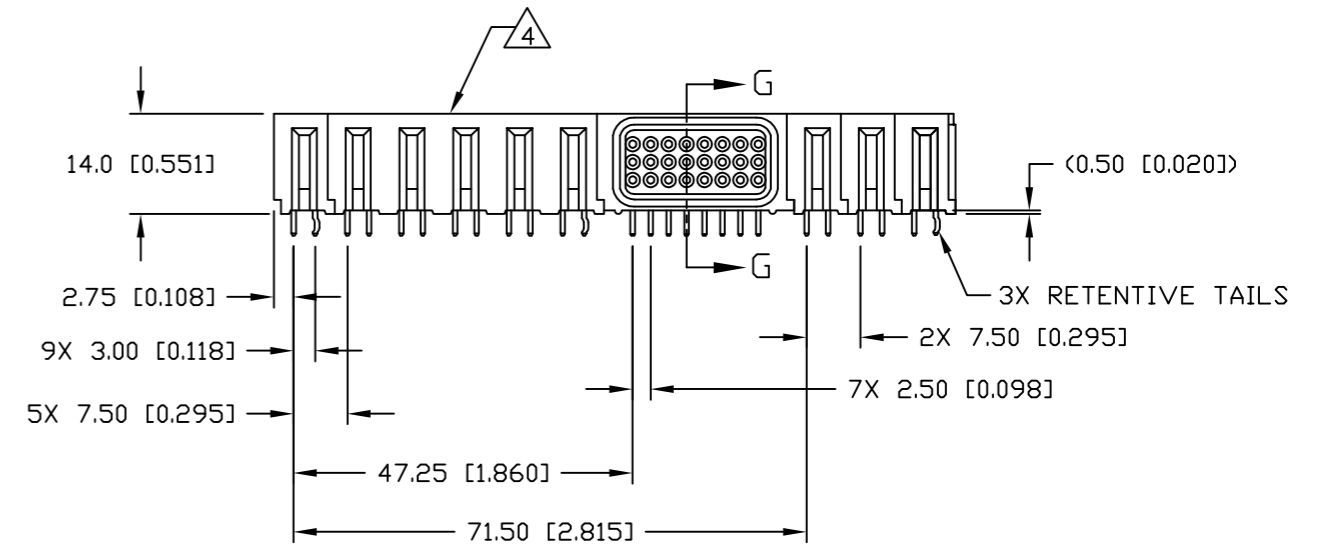
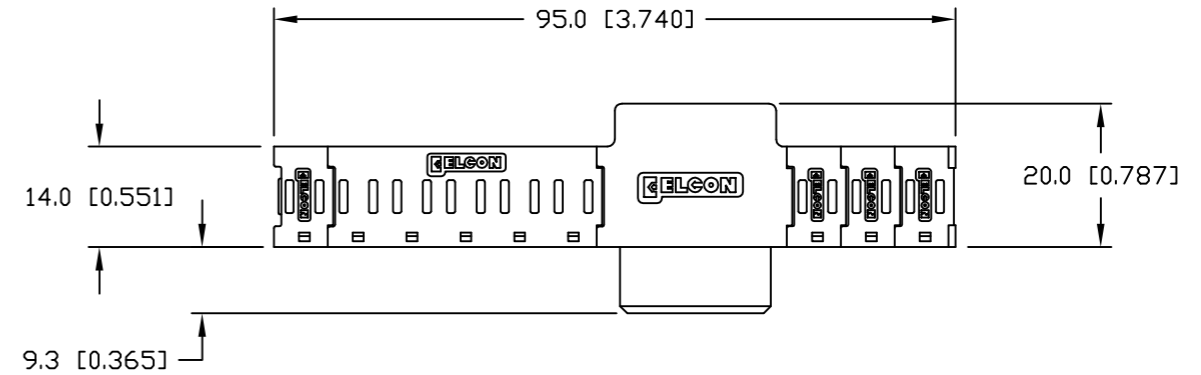
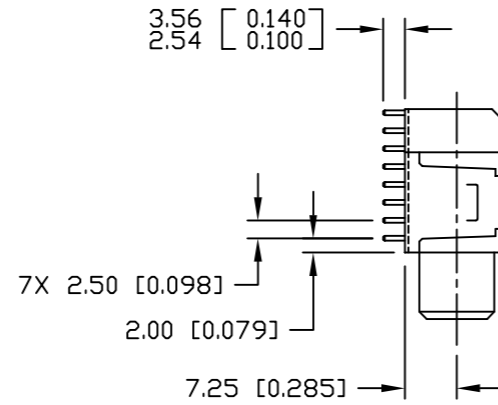


6. THIS CONNECTOR MATES WITH PIN CONNECTOR PN 279-0320-10100.

<p>THIRD ANGLE PROJECTION</p> <p>UNLESS OTHERWISE SPECIFIED DIMENSIONS ARE IN METRIC [INCHES]</p> <p>TOLERANCES</p> <p>ANGLES ± .5°</p> <p>DECIMALS</p> <p>.XX ± .25 [.010]</p> <p>.X ± .5 [.020]</p>	<p>MM OR MM [INCH]</p> <p>INCH</p>	<p>DRAWN</p> <p>R. F. A.</p>	<p>DATE</p> <p>04/08/05</p>	<p>tyco Tyco Electronics Corporation Electronics Menlo Park, Ca 94025</p> <p>ELCON</p>
	<p>CHECKED</p>	<p>APPROVED</p>	<p>APPROVED</p>	<p>TITLE</p> <p>SOCKET CONNECTOR, FLATPAQ RIGHT ANGLE, SOLDER TAILS PN: 279-0320-10200A</p>
	<p>D. CHAU</p>	<p>DCA APPROVED</p>	<p>04/08/05</p>	<p>SIZE DWG NUMBER</p> <p>B C = 6646742</p>
	<p>M. ALIM</p>	<p>ACAD FILE NUMBER</p> <p>C6646742A.DWG</p>	<p>04/13/05</p>	<p>REV.</p> <p>A</p>
			<p>DWG SCALE 1=1</p>	<p>SH 1 OF 3</p>

This drawing involves proprietary design rights of Tyco Electronics Corporation, and all design, manufacture, reproduction, use and sale rights regarding the same are expressly reserved. It is submitted for a specific purpose and the recipient by accepting this drawing, assumes custody and control and agrees to take reasonable precautions; (a) that this drawing will not be copied and reproduced, in whole or in part, or its contents revealed in any manner, or to any person except to meet the purpose for which it was delivered and (b) that any special features peculiar to this design will not be incorporated in other projects without the expressed written permission of Tyco Electronics Corporation.

REVISIONS			
EC	REV	DESCRIPTION	DATE
		SEE SHEET 1	

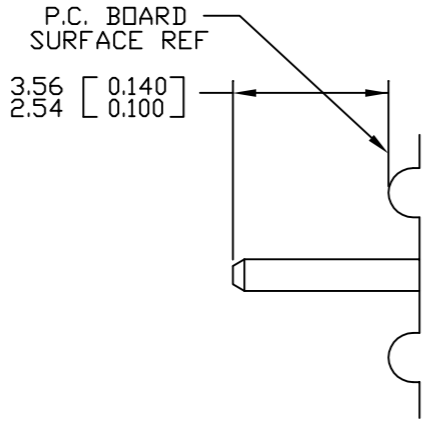


PRINTED CIRCUIT LAYOUT

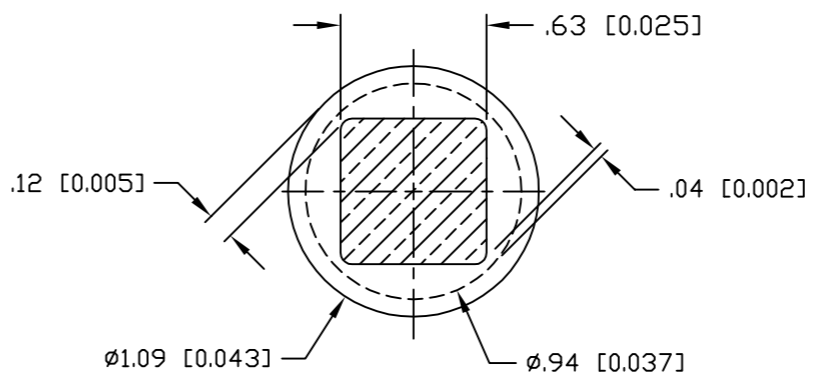
THIRD ANGLE PROJECTION UNLESS OTHERWISE SPECIFIED DIMENSIONS ARE IN METRIC [INCHES] TOLERANCES ANGLES ± .5° DECIMALS .XX ± .25 [.010] .X ± .5 [.020]	DRAWN R. F. A.	DATE 04/08/05	Tyco Electronics Corporation Menlo Park, Ca 94025 	TITLE SOCKET CONNECTOR, FLATPAQ RIGHT ANGLE, SOLDER TAILS PN: 279-0320-10200A		
	CHECKED			SIZE	DWG NUMBER	REV.
	APPROVED		APPROVED	B	C = 6646742	A
	APPROVED	D. CHAU	04/08/05	ACAD FILE NUMBER C6646742A.DWG		DWG SCALE 1=1 SH 2 OF 3

This drawing involves proprietary design rights of Tyco Electronics Corporation, and all design, manufacture, reproduction, use and sale rights regarding the same are expressly reserved. It is submitted for a specific purpose and the recipient by accepting this drawing, assumes custody and control and agrees to take reasonable precautions; (a) that this drawing will not be copied and reproduced, in whole or in part, or its contents revealed in any manner, or to any person except to meet the purpose for which it was delivered and (b) that any special features peculiar to this design will not be incorporated in other projects without the expressed written permission of Tyco Electronics Corporation.

REVISIONS			
EC	REV	DESCRIPTION	DATE
		SEE SHEET 1	



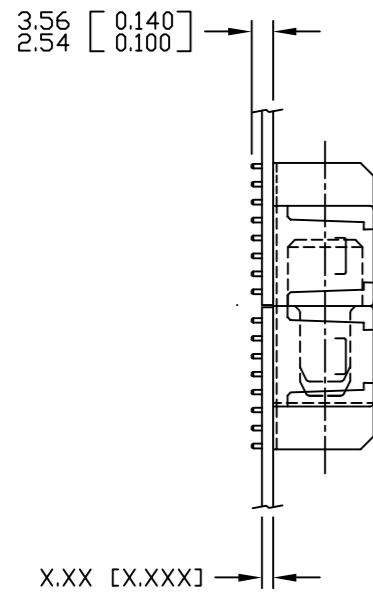
SOLDER PIN DETAIL



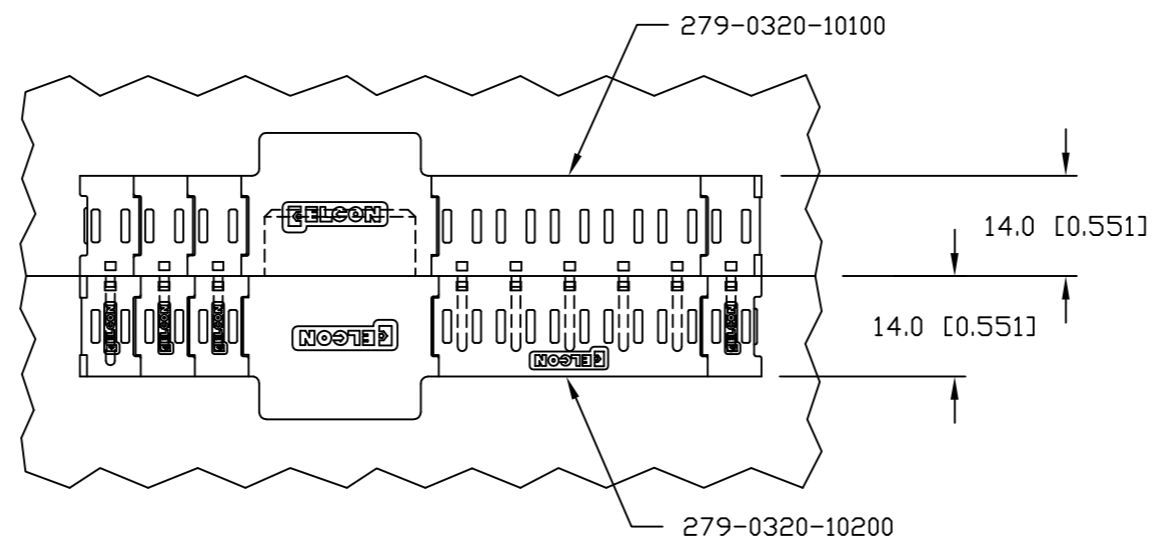
SOLDER TERMINATION AREA

RECOMMENDED PRINTED CIRCUIT HOLE

- FINISHED HOLE: $\phi 1.02 [0.040] \pm .08 [0.003]$
- DRILLED HOLE: $\phi 1.15 [0.0453] \pm .013 [0.0005]$
- COPPER PLATE: .025 [0.0010] MINIMUM (PER SURFACE)
- TIN PLATE: .008 [0.0003] MINIMUM (PER SURFACE)



MATED CONDITION



MM INCH OR MM [INCH]	DRAWN R. F. A.	DATE 04/08/05	tyco Tyco Electronics Corporation Electronics Menlo Park, Ca 94025		ELCON
	CHECKED		TITLE USER INFORMATION SOLDER TAIL TERMINATION AND MATED CONDITION		
THIRD ANGLE PROJECTION	APPROVED D. CHAU	04/08/05	SIZE B	DWG NUMBER C = 6646742	REV. A
UNLESS OTHERWISE SPECIFIED DIMENSIONS ARE IN METRIC [INCHES]	APPROVED M. ALIM	04/13/05			
TOLERANCES ANGLES $\pm .5^\circ$ DECIMALS .XX $\pm .25 [0.010]$.X $\pm .5 [0.020]$	ACAD FILE NUMBER C6646742A.DWG	DWG SCALE 1=1		SH 3 OF 3	