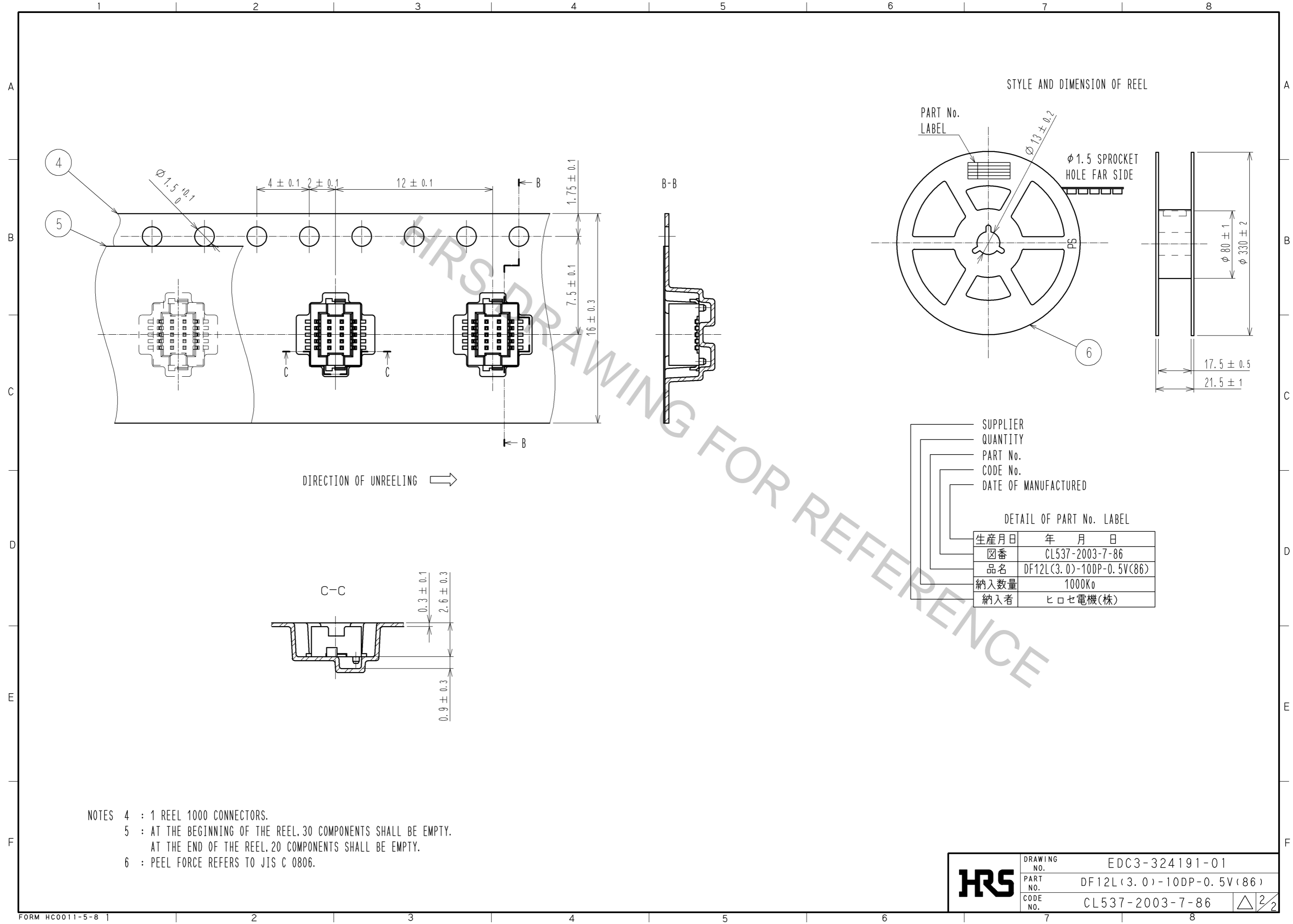


NO.	MATERIAL	FINISH . REMARKS	NO.	MATERIAL	FINISH . REMARKS
2	PHOSPHOR BRONZE	CONTACT AREA:GOLD PLATED 0.1μm min LEAD AREA:GOLD PLATED 0.015μm min OTHERS(UNDER PLATING):NICKEL PLATED 2μm min	6	PS	BLACK(PLASTIC REEL)
1	LCP	UL94V-0, BLACK	5	POLYESTER	CLEAR(COVER TAPE)
			4	PS	CLEAR(EMBOSSD CARRIER TAPE)
			3	BRASS	TIN PLATED 2μm min (UNDER PLATING):NICKEL 1μm min

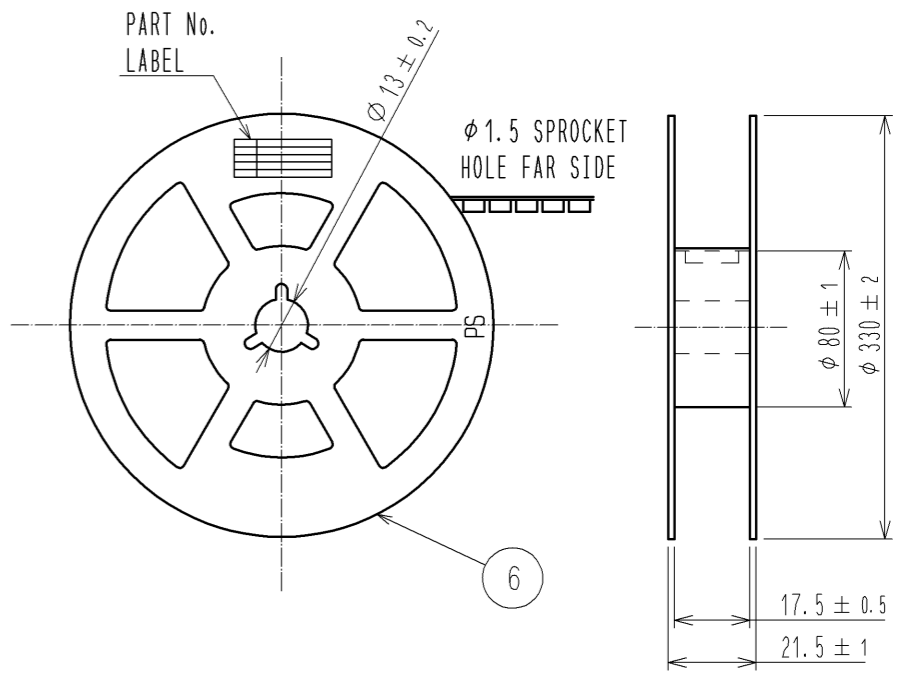
  

UNITS	SCALE	COUNT	DESCRIPTION OF REVISIONS	DESIGNED	CHECKED	DATE
mm	10:1	△				
<b>HRS</b> HIROSE ELECTRIC CO., LTD.			APPROVED : KH. IKEDA 09.12.14 CHECKED : AR. TAKAHASHI 09.12.14 DESIGNED : TY. YAMASAKI 09.12.14 DRAWN : TY. YAMASAKI 09.06.30	DRAWING NO. EDC3-324191-01 PART NO. DF12L(3.0)-10DP-0.5V(86) CODE NO. CL537-2003-7-86		

Apr.1.2017 Copyright 2017 HIROSE ELECTRIC CO., LTD. All Rights Reserved.



STYLE AND DIMENSION OF REEL



SUPPLIER  
 QUANTITY  
 PART No.  
 CODE No.  
 DATE OF MANUFACTURED

DETAIL OF PART No. LABEL

生産月日	年 月 日
図番	CL537-2003-7-86
品名	DF12L(3.0)-10DP-0.5V(86)
納入数量	1000ko
納入者	ヒロセ電機(株)

- NOTES
- 4 : 1 REEL 1000 CONNECTORS.
  - 5 : AT THE BEGINNING OF THE REEL, 30 COMPONENTS SHALL BE EMPTY.  
AT THE END OF THE REEL, 20 COMPONENTS SHALL BE EMPTY.
  - 6 : PEEL FORCE REFERS TO JIS C 0806.

<b>HRS</b>	DRAWING NO.	EDC3-324191-01
	PART NO.	DF12L(3.0)-10DP-0.5V(86)
	CODE NO.	CL537-2003-7-86
		$\triangle$ 2/2