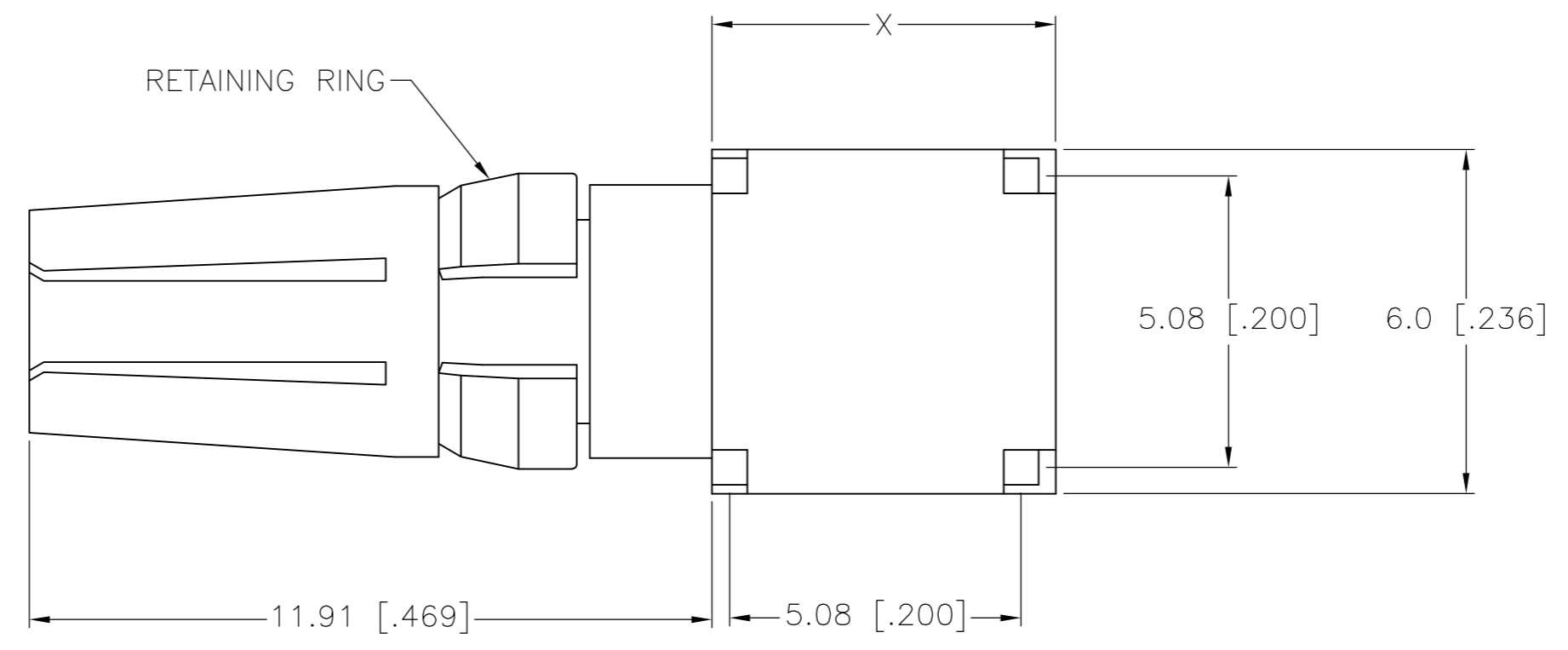
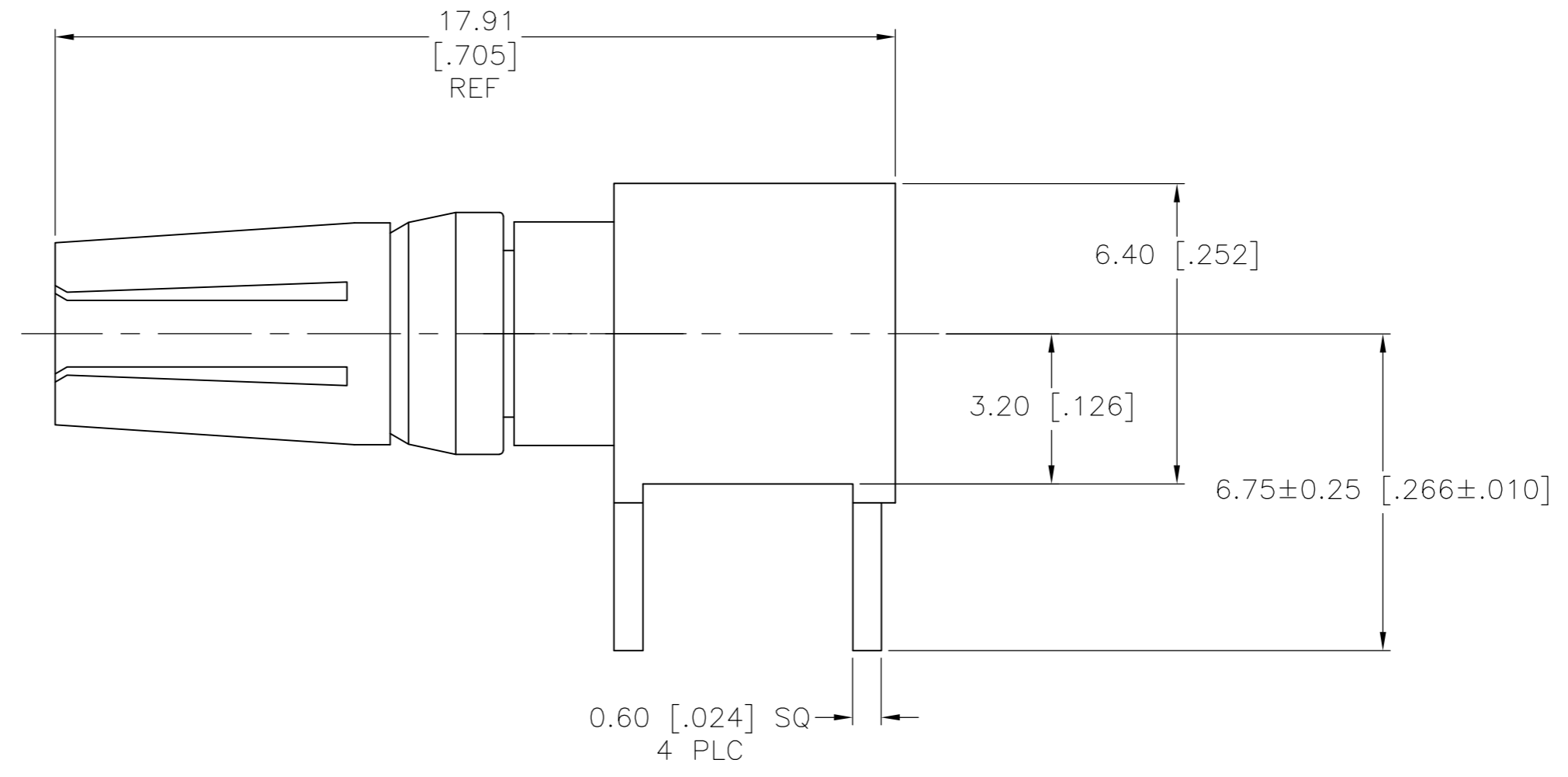


THIS DRAWING IS UNPUBLISHED. RELEASED FOR PUBLICATION
 © COPYRIGHT BY TYCO ELECTRONICS CORPORATION. ALL RIGHTS RESERVED.

LOC		DIST		REVISIONS			
P	LTR	DESCRIPTION		DATE	DWN	APVD	
	B	REV PER EC 0512-0302-05		14DEC05	BC	GS	
	C	ECR-10-019054		15SEP10	DP	MQW	



- 1 SUITABLE FOR FEMALE TYPE M CONNECTORS.
- 2 CONTACT SPRING: BERYLLIUM COPPER.
CONTACT BODY: BRASS.
RETAINING RING: BERYLLIUM COPPER.
- 3 CONTACT FINISH: 0.00127[.000050] MIN GOLD IN CONTACT AREA,
0.00254[.000100] MIN TIN IN AREA "X", ALL OVER
0.00127[.000050] NICKEL.
- 4 CONTACT FINISH: 0.00076[.000030] MIN GOLD IN CONTACT AREA,
0.00254[.000100] MIN TIN IN AREA "X", ALL OVER
0.00127[.000050] NICKEL.

OBSOLETE	4	5148513-2
	3	5148513-1
	FINISH	PART NUMBER

THIS DRAWING IS A CONTROLLED DOCUMENT.		DWN	B.CARBO	15JUL05	Tyco Electronics Corporation Harrisburg, PA 17105-3608
DIMENSIONS: mm [INCHES]		CHK	A.SHARPE	15JUL05	
TOLERANCES UNLESS OTHERWISE SPECIFIED:		APVD	A.SHARPE	15JUL05	
0-PLC ± 1-PLC ± 2-PLC ± ±0.2 3-PLC ± 4-PLC ± ANGLES ± FINISH SEE TABLE		PRODUCT SPEC	NAME		
MATERIAL		APPLICATION SPEC	POWER CONTACT, EUROCARD TYPE M, FEMALE 90 DEGREE, PRINTED CIRCUIT BOARD MOUNT		RESTRICTED TO
		WEIGHT	A2 00779 C=5148513		SCALE 8:1 SHEET 1 OF 1 REV C
CUSTOMER DRAWING					

5148513