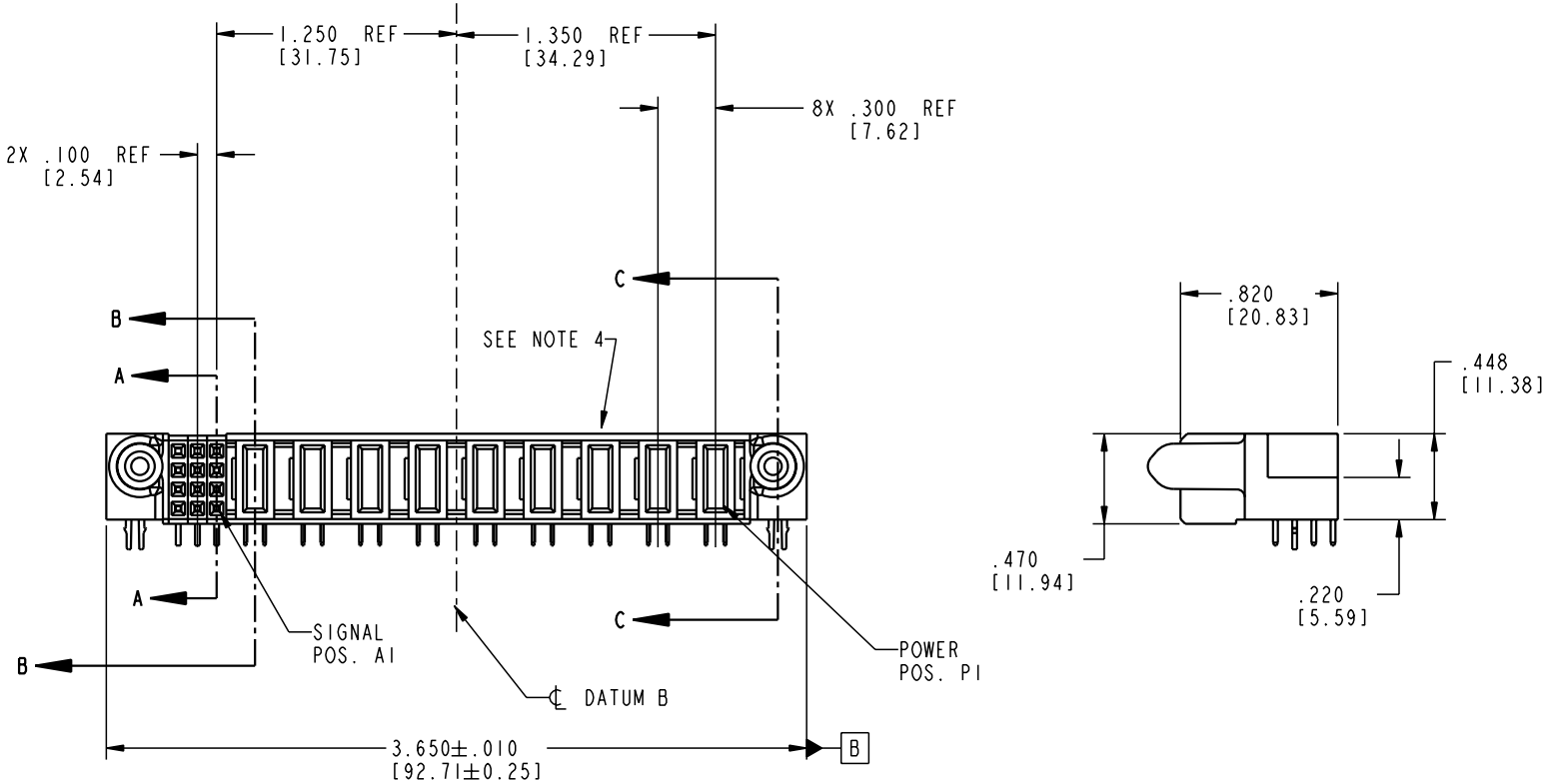


Tous droits strictement réservés. Reproduction ou communication o des liers interdite sous quelque forme que ce soit sans autorisation écrite du propriétaire. Propriete de c FCI. Droits de reproduction FCI.

All rights strictly reserved. Reproduction or issue to third parties in any form whenever is not permitted without written authority from the proprietor. Property of FCI. Copyright FCI.

PRODUCT NO.	ROWS	SIGNAL			POWER								E1			
		E2	3	2	1	P9	P8	P7	P6	P5	P4	P3		P2	P1	
51915-030	D C B A		H G F E	H G F E	H G F E	PC	PC	PC	PC	PC	PC	PC	PC	PC	PA	



CODE	DIM "M" MATING LENGTH	CONTACT TYPE
E	N/A [N/A]	SIGNAL
F	N/A [N/A]	SIGNAL
G	N/A [N/A]	SIGNAL
H	N/A [N/A]	SIGNAL
PA	.042 [1.07]	POWER
PC	.092 [2.34]	POWER
HA	N/A [N/A]	HOLD-DOWN

mat'l code SEE NOTE 2				tolerances unless otherwise specified			CUSTOMER	
ltr	ecn no.	dr	date	linear	.XX±.01/0.X±0.3		COPY	
A	V03-0684	DAI	06/23/03		.XXX±.005/0.XX±0.13		projection	
					.XXX±.0020/0.XXX±0.051		INCH/MM	
				angles	0°±2°		scale	
				dr	D. INGRAM	06/23/03	1:1	
				engr	M. MOSTOLLER	06/23/03		
				chr	M. MOSTOLLER	06/23/03		
				appd	M. MOSTOLLER	06/23/03		
sheet index	revision sheet	A	A	A	A	A		
		1	2	3	4			

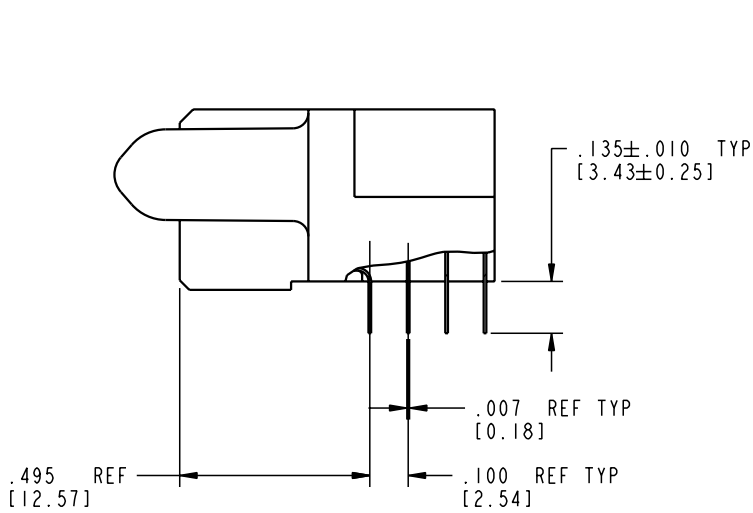
		www.fciconnect.com	
		COPY	
title		9ACP + 12S	
R/A SOLDER RECEPTACLE		product family PwrBlade	
code	213	code	213
size	A	size	A
dwg no	51915-030	dwg no	51915-030
sheet	1 of 4	sheet	1 of 4

Pro/E 3 cage code 22526 4

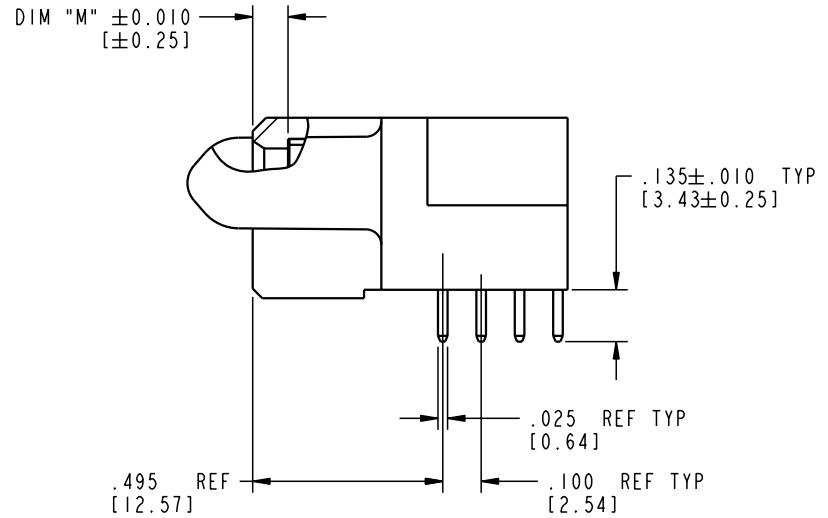
Tous droits strictement réservés. Reproduction ou communication o des liens interdite sous quelque forme que ce soit sans autorisation écrite du propriétaire. Propriete de c FCI. Droits de reproduction FCI.

All rights strictly reserved. Reproduction or issue to third parties in any form, whenever is not permitted without written authority from the proprietor. Property of FCI. Copyright FCI.

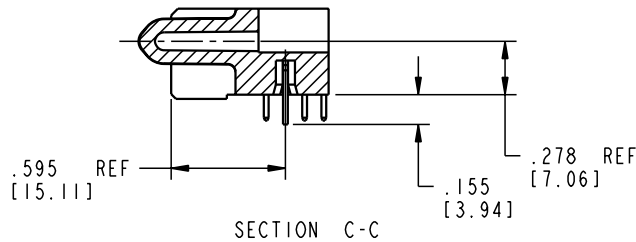
PRODUCT NUMBER
51915-030




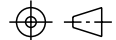
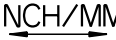
BROKEN-OUT SECTION A-A
SCALE 2:1



BROKEN-OUT SECTION B-B
SCALE 2:1



SECTION C-C

mat'l code SEE NOTE 2				tolerances unless otherwise specified		CUSTOMER		 www.fciconnect.com	
ltr	ecr no.	dr	date	linear	.XX±.01/0.X±0.3	COPY		title	
A				projection	.XXX±.005/0.XX±0.13			9ACP + 12S	
				angles	.XXX±.0020/0.XXX±0.051			R/A SOLDER RECEPTACLE	
				dr	D. INGRAM 06/23/03	INCH/MM		product family PwrBlade code	
				enr	M. MOSTOLLER 06/23/03	scale		size dwg no	
				chr	M. MOSTOLLER 06/23/03	1:1		A 51915-030 213	
				appd	M. MOSTOLLER 06/23/03			sheet	
sheet index		revision sheet						2 of 4	

cage code 22526

Pro/E

PDM: Rev:A

STATUS: Released

Printed: Dec 20, 2010

Tous droits strictement réservés. Reproduction ou communication o des tiers interdite sous quelque forme que ce soit sans autorisation écrite du propriétaire. Propriété de c FCI. Droits de reproduction FCI.

All rights strictly reserved. Reproduction or issue to third parties in any form whatever is not permitted without written authority from the proprietor. Property of FCI. Copyright FCI.

PRODUCT NUMBER
51915-030

$\varnothing .098 \pm .003$
[2.49 ± 0.07]
SEE NOTE 8
 $\varnothing .004$ [0.1] X Y Z

3X .100 TYP
[2.54]

$\varnothing .040 \pm .003$
[1.02 ± 0.07]
SEE NOTE 9
 $\varnothing .004$ [0.1] X Y Z

Z
Y

.150 TYP
[3.81]

DIM XXX
SEE NOTE 10

1.350
[34.29]

1.840 SEE NOTE 11
[46.74]

1.675
[42.55]

1.250
[31.75]

2X .100
[2.54]

8X .300
[7.62]

SEE NOTE 11
3 SIDES

.610
[15.49]
SEE NOTE 11

2X .250
[6.35]

.050 TYP
[1.27]

.100 TYP
[2.54]

PCB LAYOUT AND DATUM B ϕ

.050 TYP
[1.27]


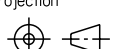
.100 TYP
[2.54]

3.350
[85.09]

3.680 SEE NOTE 11
[93.47]

PCB EDGE

X

mat'l code				SEE NOTE 2		tolerances unless otherwise specified		CUSTOMER		 www.fciconnect.com		
ltr	ecn no.	dr	date	linear	.XX ± .01/0.X ± 0.3		COPY		 projection		title	
A					.XXX ± .005/0.XX ± 0.13		INCH/MM				9ACP + 12S	
					angles	.XXX ± .0020/0.XX ± 0.051		scale		R/A SOLDER RECEPTACLE		
				0° ± 2°		1:1		product family				
								PwrBlade				
sheet index		revision sheet		dr	D. INGRAM	06/23/03			code		213	
				engr	M. MOSTOLLER	06/23/03			size		3 of 4	
				chr	M. MOSTOLLER	06/23/03			dwg no		51915-030	
				appd	M. MOSTOLLER	06/23/03			sheet			
										3 of 4		

Pro/E

cage code 22526

PDM: Rev:A

STATUS: Released

Printed: Dec 20, 2010

Tous droits strictement réservés. Reproduction ou communication o des tiers interdite sous quelque forme que ce soit sans autorisation écrite du propriétaire. Propriete de c FCI. Droits de reproduction FCI.

A
FCI

All rights strictly reserved. Reproduction or issue to third parties in any form whatever is not permitted without written authority from the proprietor. Property of FCI. Copyright FCI.

B

PRODUCT NUMBER

51915-030

NOTES:

1. DIMENSIONS AND TOLERANCES ARE IN ACCORDANCE WITH ASME Y14.5M, 1994 UNLESS OTHERWISE SPECIFIED.


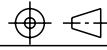
CONNECTOR NOTES:

- 2. HOUSING MATERIAL: UL 94 V-0 GLASS FILLED
HIGH-TEMP THERMOPLASTIC
POWER CONTACT MATERIAL: COPPER ALLOY
SIGNAL PIN MATERIAL: COPPER ALLOY
- 3. PLATING:
SIGNAL PINS: 30u"/0.76um Au OVER 50u"/1.27um Ni
POWER CONTACTS: 50u"/1.27um Ni UNDER ALL
WITH 30u"/0.76um Au ON CONTACT AREA
AND SnPb ON PCB INTERFACE
- 4. MANUFACTURER'S NAME, P/N, AND DATE CODE TO APPEAR ON THIS SURFACE.
- 5. PRODUCT SPECIFICATION GS-12-149.
APPLICATION SPECIFICATION BUS-20-067.

6. PACKAGED IN TRAYS.

PCB NOTES:

- 7. ALL HOLE DIAMETERS ARE FINISHED HOLE SIZE.
- 8. MOUNTING HOLES, WHERE APPLICABLE, ARE UNPLATED.
- 9. $\varnothing .0453 \pm .0010$ [1.151 \pm 0.025] DRILLED HOLES PLATED WITH .0003 [0.008] MIN SnPb OVER .001 [0.03] TO .003 [0.08] Cu PLATING TO ACHIEVE $\varnothing .040 \pm .003$ [1.02 \pm .07] HOLE.
- 10. "DIM XXX" TO BE DETERMINED BY THE CUSTOMER.
- 11. CONNECTOR KEEP-OUT ZONE.

mat'l code		SEE NOTE 2		tolerances unless otherwise specified		CUSTOMER		 FCI www.fciconnect.com	
ltr	ecr no.	dr	date	linear	.XX±.01/0.X±0.3	COPY			
A				linear	.XXX±.005/0.XX±0.13	projection		title	
				angles	.XXX±.0020/0.XXX±0.051			9ACP + 12S R/A SOLDER RECEPTACLE	
				dr	D. INGRAM 06/23/03	INCH/MM		product family	
				enr	M. MOSTOLLER 06/23/03	scale		PwrBlade	
				chr	M. MOSTOLLER 06/23/03	1:1		code	
				appd	M. MOSTOLLER 06/23/03			213	
sheet index		revision sheet						size	
								dwg no	
								A 51915-030	
								sheet 4 of 4	

A

B

1 | 2

3 |

4

1 | 2

Pro/E

3 |

cage code 22526

4