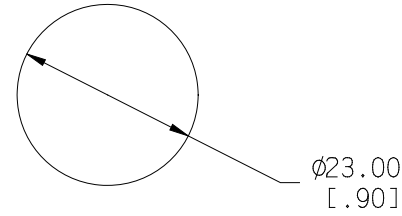
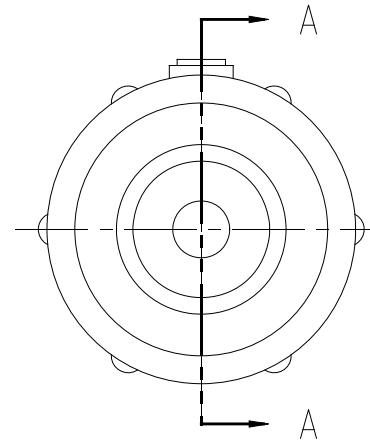
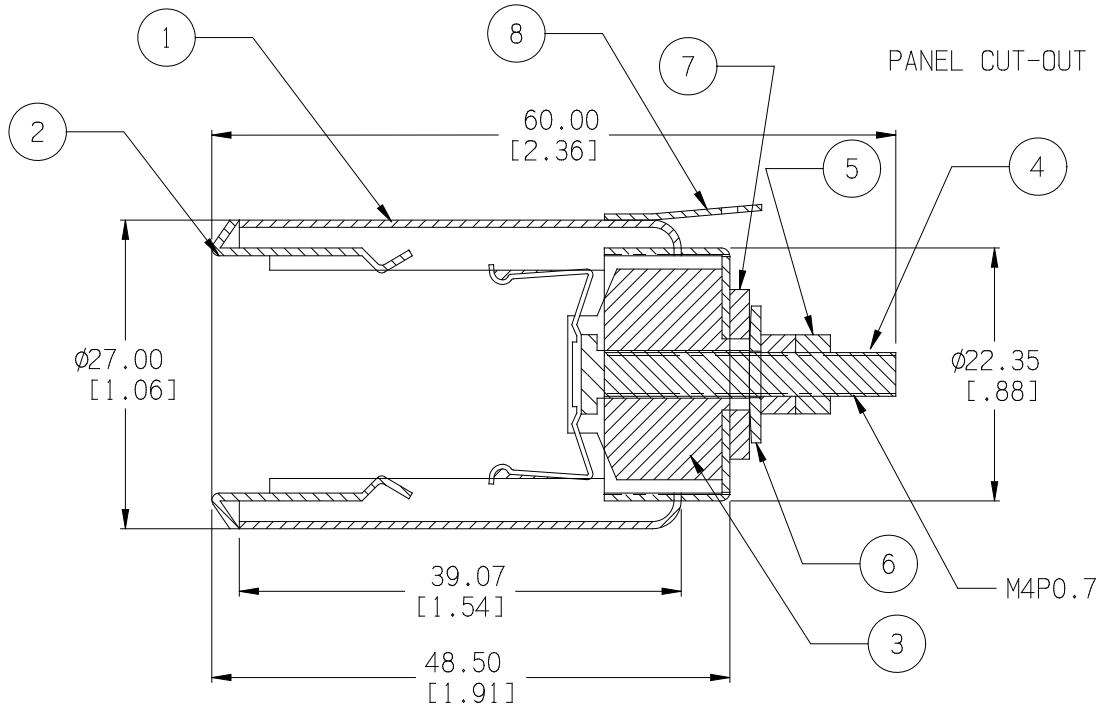


Date	SYM	REVISION RECORD	AUTH	DR.	CK.
02/15/03	A	Added panel cut-out information	T.B.	B.S.	
04/03/04	B	Added Electrical Rating	T.B.	B.S.	
8/14/09	C	Added Bill Of Material	T.B.	B.S.	



PANEL CUT-OUT



ELECTRICAL RATING: 12V, 10 AMP

BILL OF MATERIAL

PART NAME	QTY.	MATERIAL
Casting	1	Iron, Nickel Plated
Inner Tube	1	Iron, Nickel Plated
Porcelain Socket	1	Ceramic
(+) Screw	1	Brass
Nut	1	Iron, Nickel Plated
Washer	1	Iron, Nickel Plated
Insulation	1	Bakelite
(-) Terminal	1	Iron, Nickel Plated

Tolerance (Inches)	Decimal	$\pm .5 (.020)$
	Fractional	$\pm .8 (.030)$
	Angular	$\pm 3^\circ$



Memory Protection Devices, Inc.

200 Broad Hollow Road, Farmingdale, New York 11735

Scale Drawn By B.S.

Approved By T.B.

Title CIGARETTE SOCKET, METAL BAKELITE INSULATOR, SCREW-LOCK TYPE

Date 8/14/09

Drawing Number ZA2060