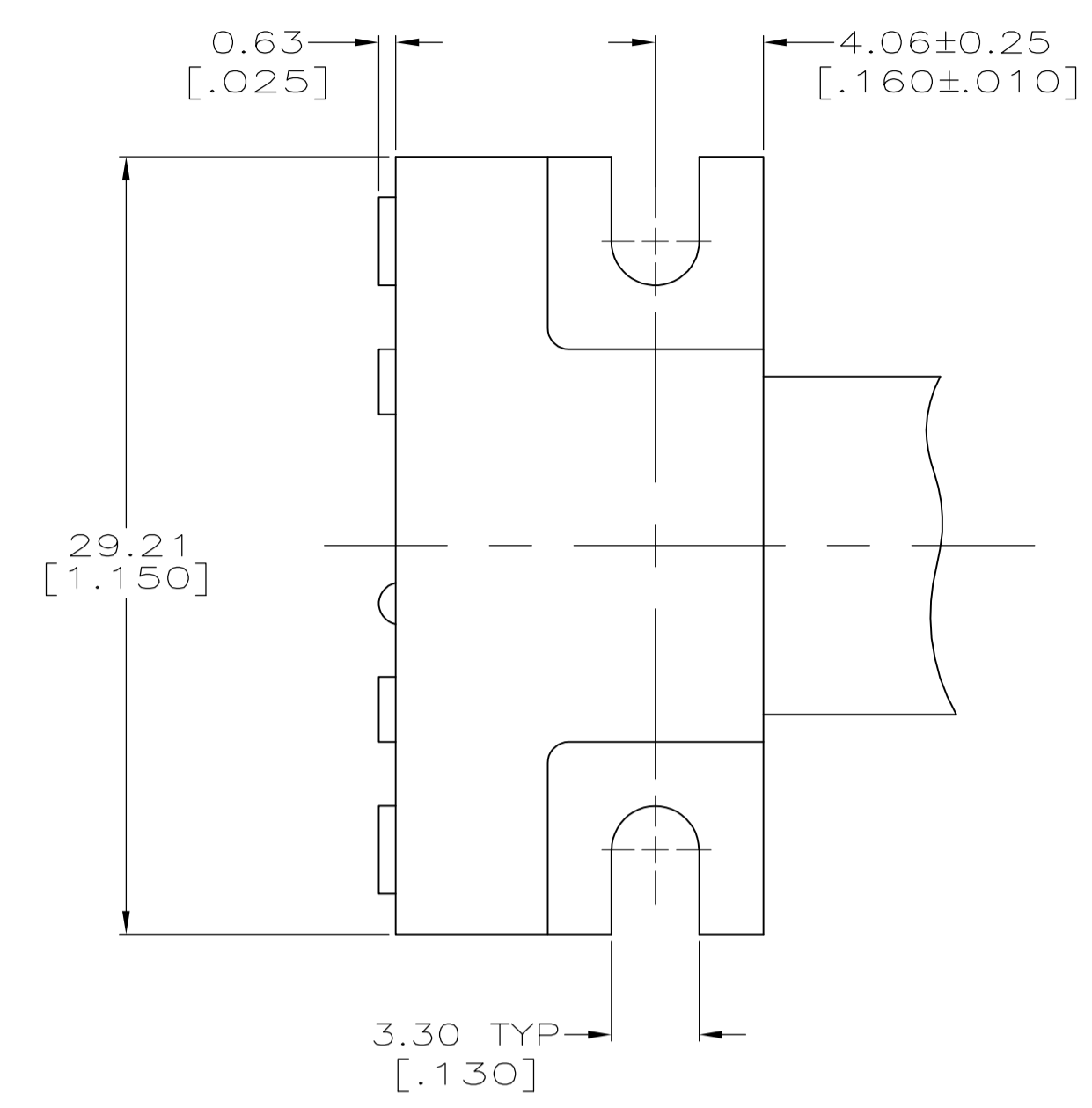
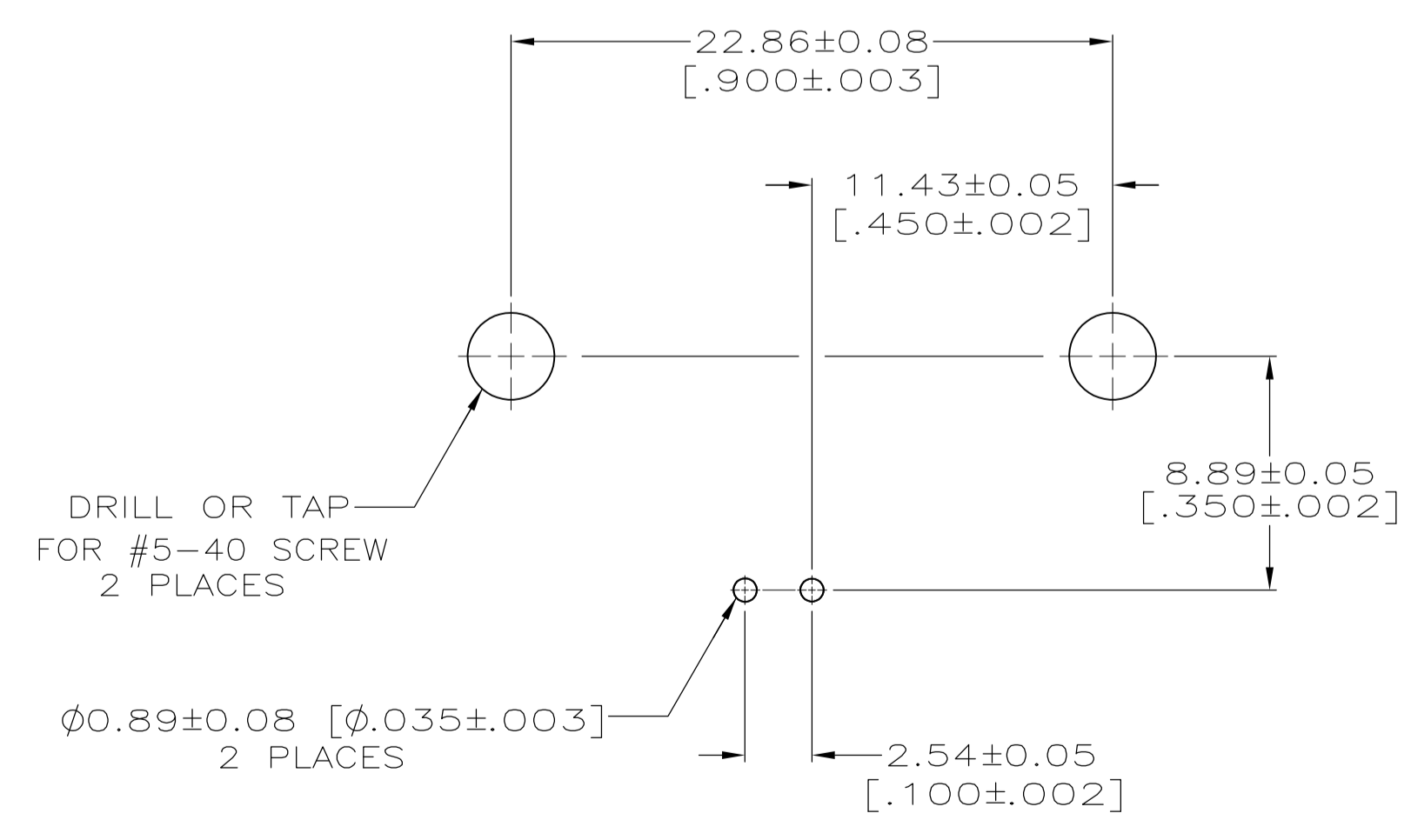
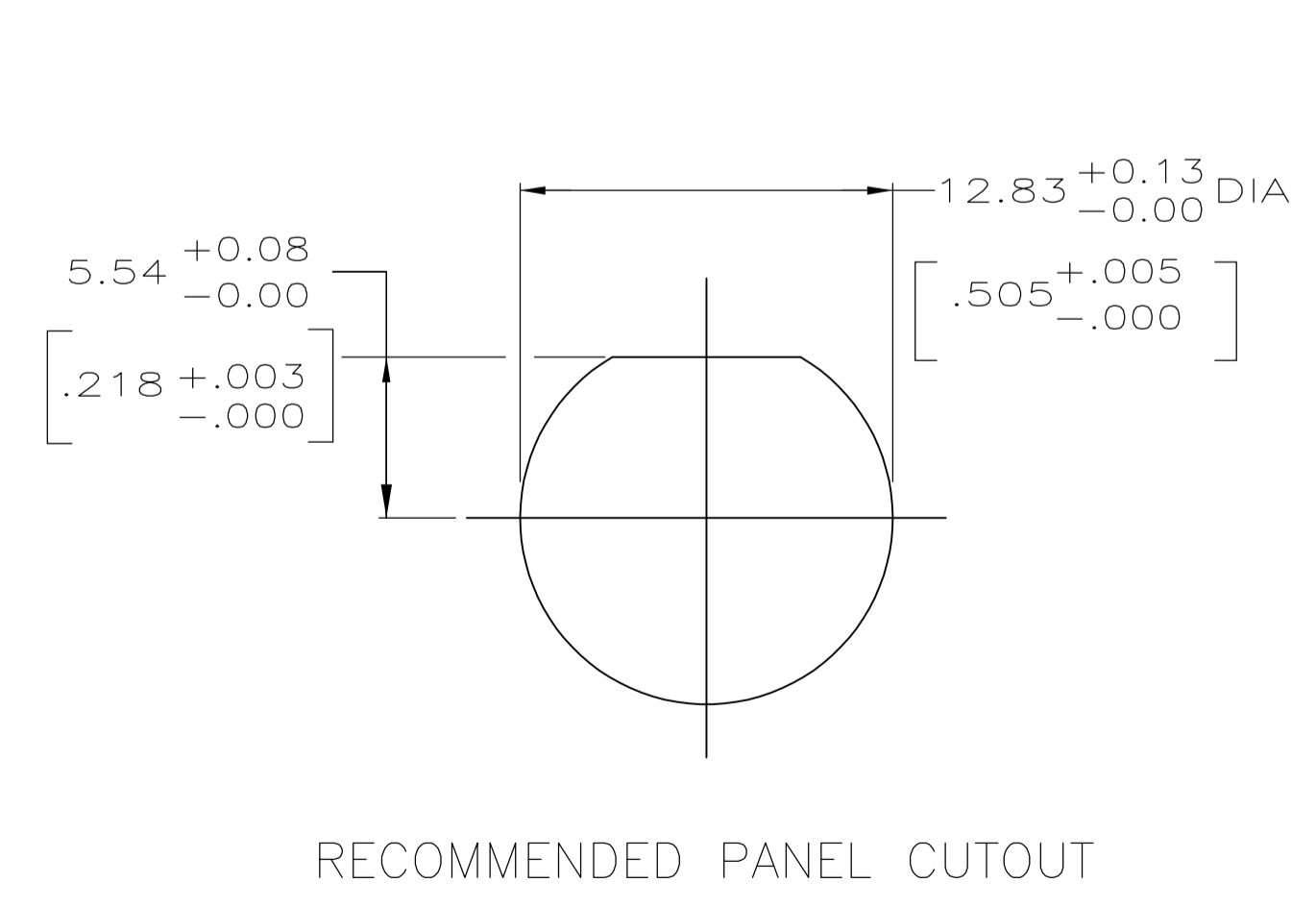
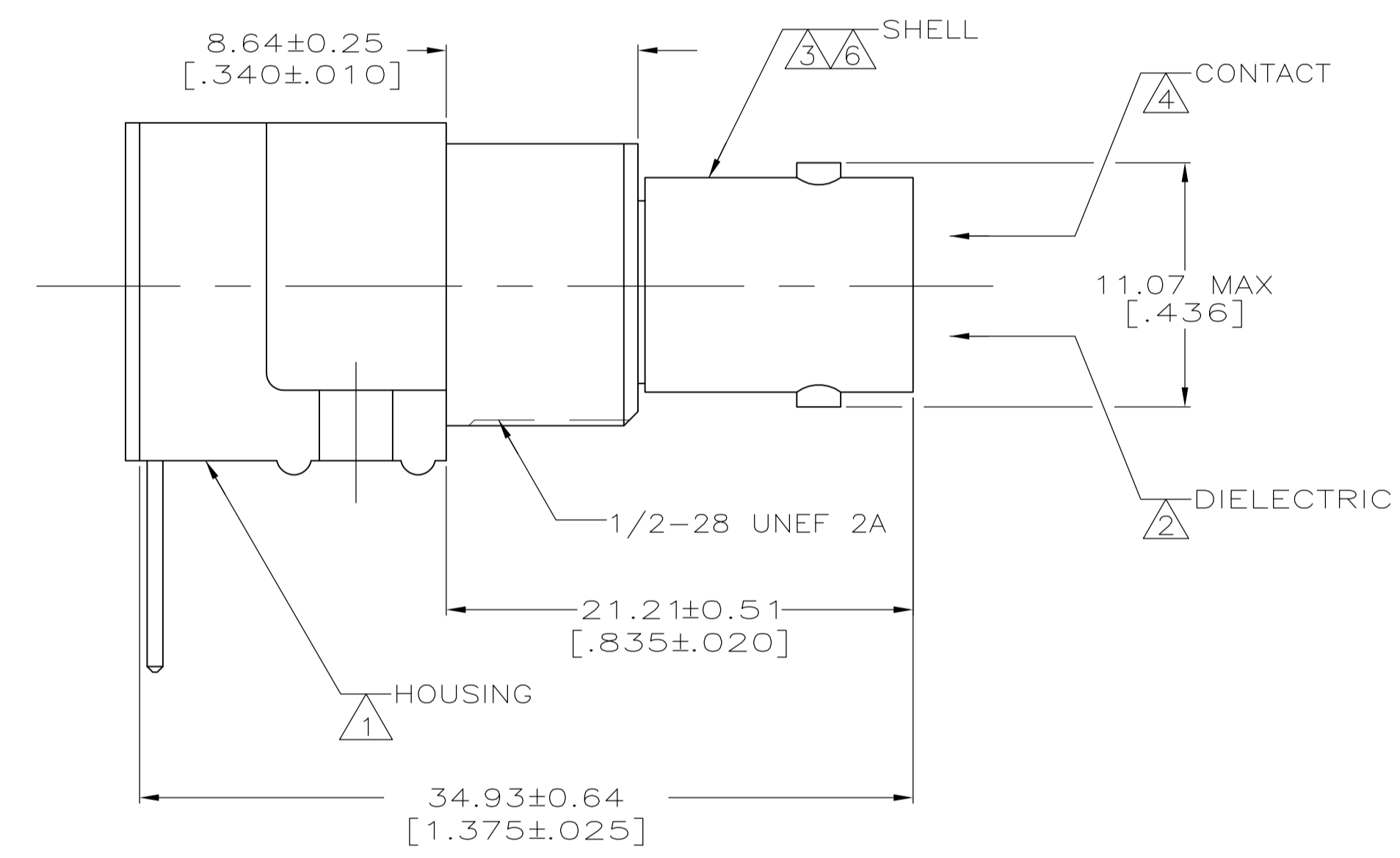
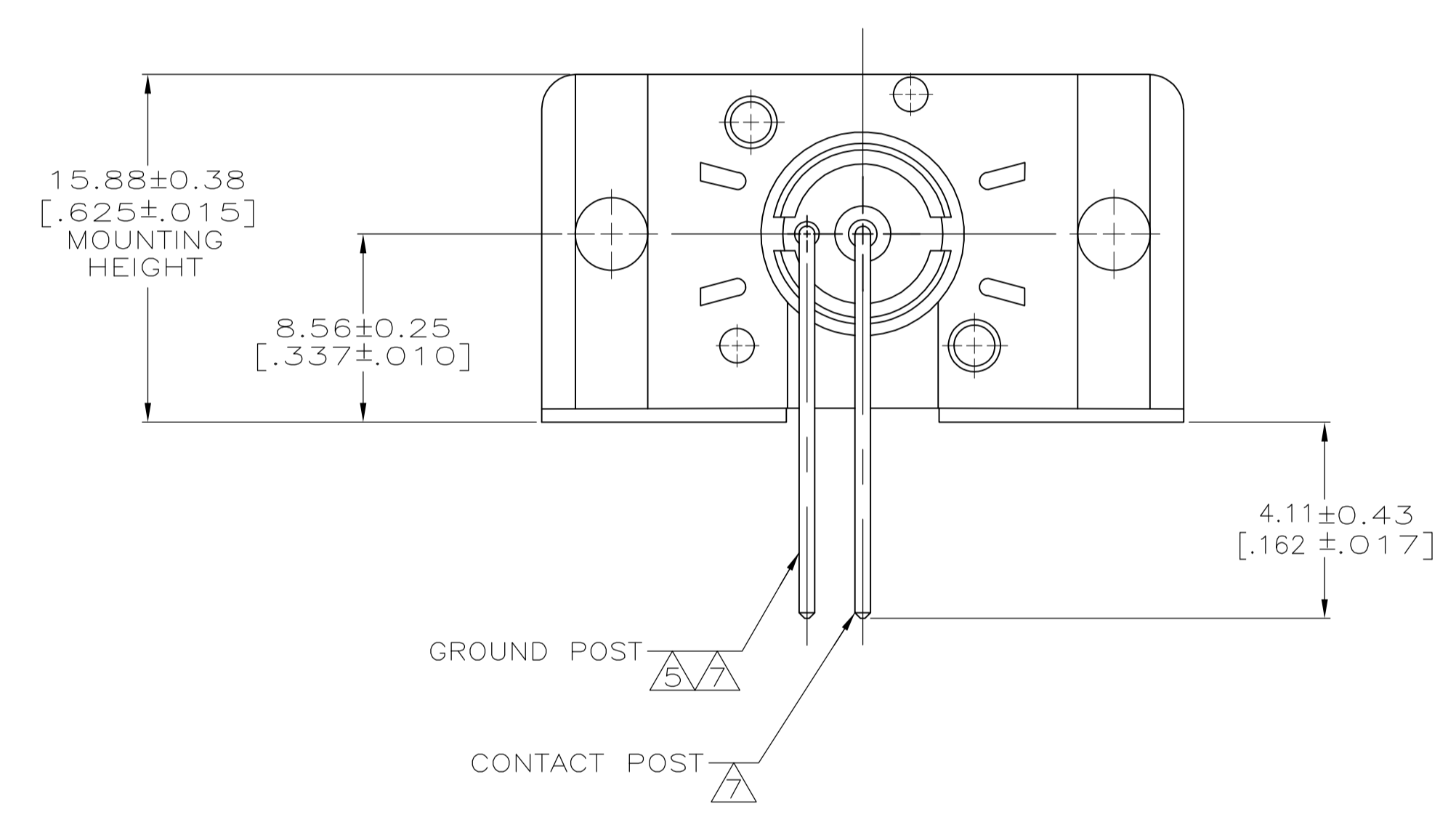


LOC		DIST		REVISIONS			
P	LTR	DATE	DESCRIPTION	DATE	BY	APPV	
B1	REVISED PER	ECO-11-005030		11MAR11	RK	HMR	



- 1 POLYESTER PBT PER MIL-M-24519, TYPE GPT-15F, UL94V-0 RATED, COLOR:NATURAL
- 2 POLYMETHYLPENTENE, GENERAL PURPOSE.
- 3 ZINC PER QQ-Z-363.
- 4 PHOSPHOR BRONZE PER QQ-B-750.
- 5 BRASS PER ASTM-B-453.
- 6 NICKEL PLATE PER QQ-N-290, 3.81 μm [.000150] MINIMUM THICK.
- 7 TIN PLATE PER ASTM-B-545, 3.81 μm [.000150] MINIMUM THICK.
- 8 GOLD PLATE PER MIL-G-45204, 0.76 μm [.000030] MINIMUM THICK.
- 9. SEE INSTRUCTION SHEET 408-2769.



5226978-3	
5226978-1	
CONTACT PLATING	PART NUMBER

THIS DRAWING IS A CONTROLLED DOCUMENT.

DIMENSIONS: INCHES	TOLERANCES UNLESS OTHERWISE SPECIFIED:	DIN J. ALCORTA - 25APR2005	DOCK 5 - 25APR2005	NAME	TE Connectivity
0 PLC ± -	1 PLC ± -	APVD J. HAVENER	25APR2005	PRODUCT SPEC	JACK, RIGHT ANGLE, 50 OHM, PCB, SERIES BNC
2 PLC ± 0.20 [.008]	3 PLC ± -	APVD J. LIPPERT	25APR2005	APPLICATION SPEC	108-12078
4 PLC ± -	ANGLES ± -	SIZE	CAGE CODE	DRAWING NO	RESTRICTED TO
MATERIAL SEE NOTES 1-5	FINISH SEE NOTES 6-9	WEIGHT	A1 00779	5226978	
CUSTOMER DRAWING		SCALE	4:1	SHEET	1 OF 1