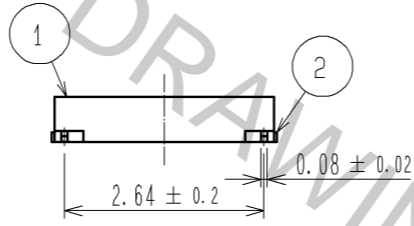
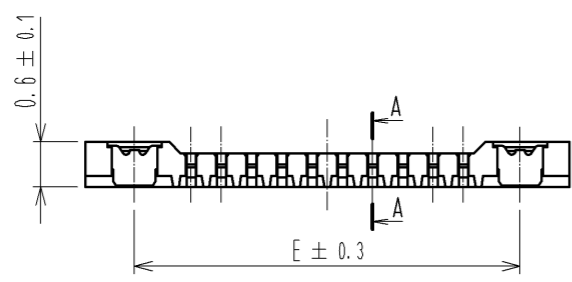
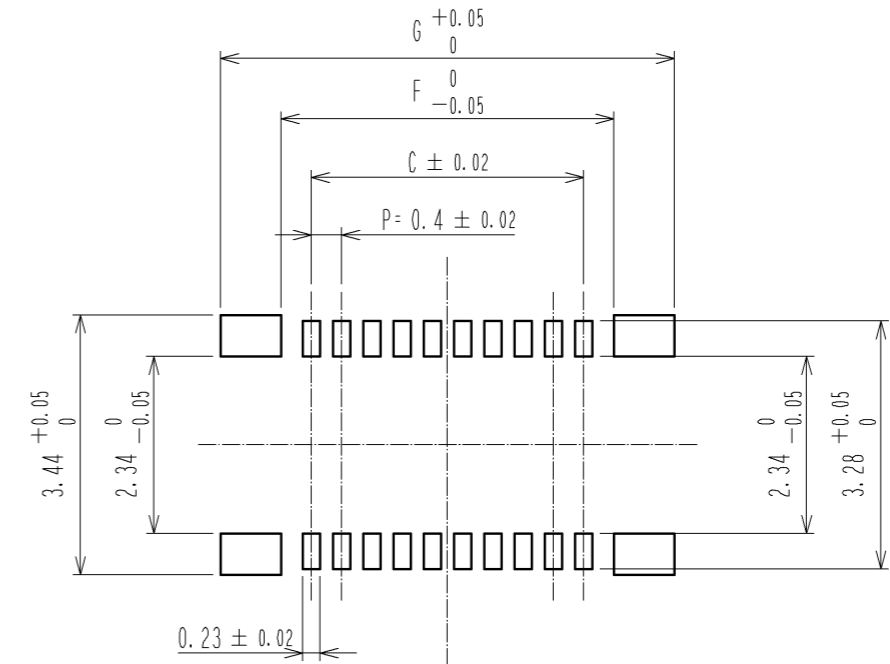
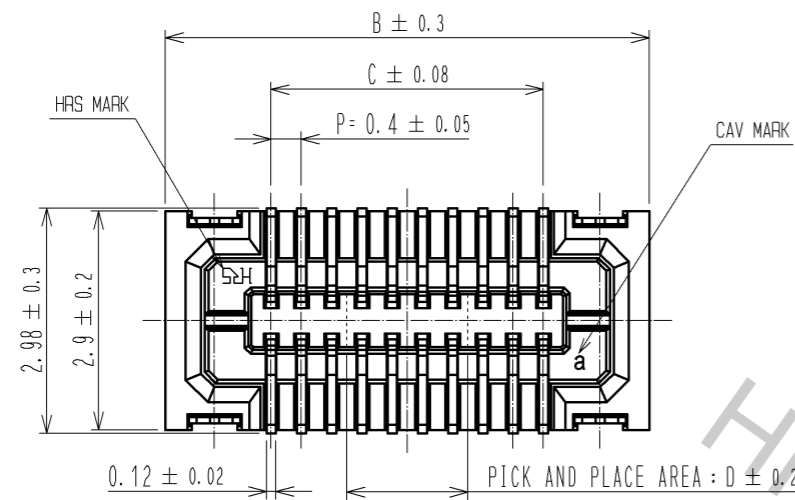
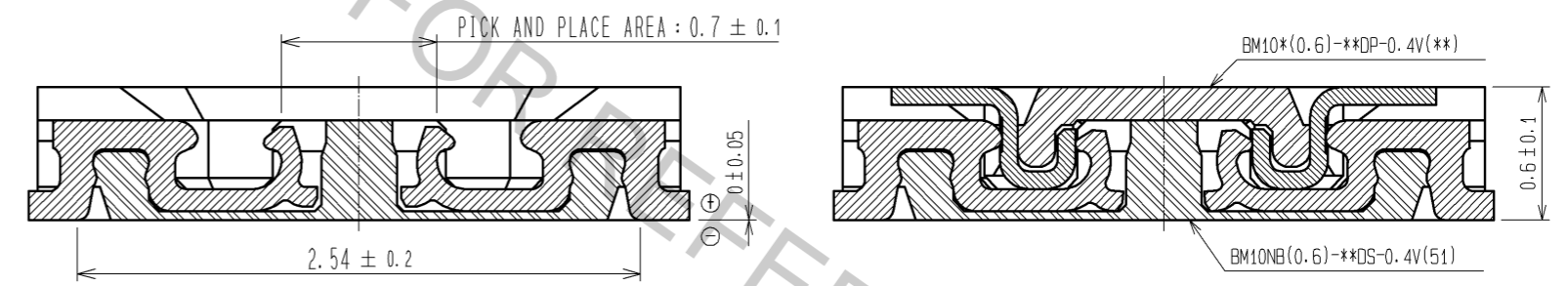


### RECOMMENDED PATTERN



RECOMMENDED SOLDER PASTE THICKNESS : 120μm  
 RECOMMENDED METAL MASK OPENING RATIO : 100%

### ENGAGEMENT FIGURE

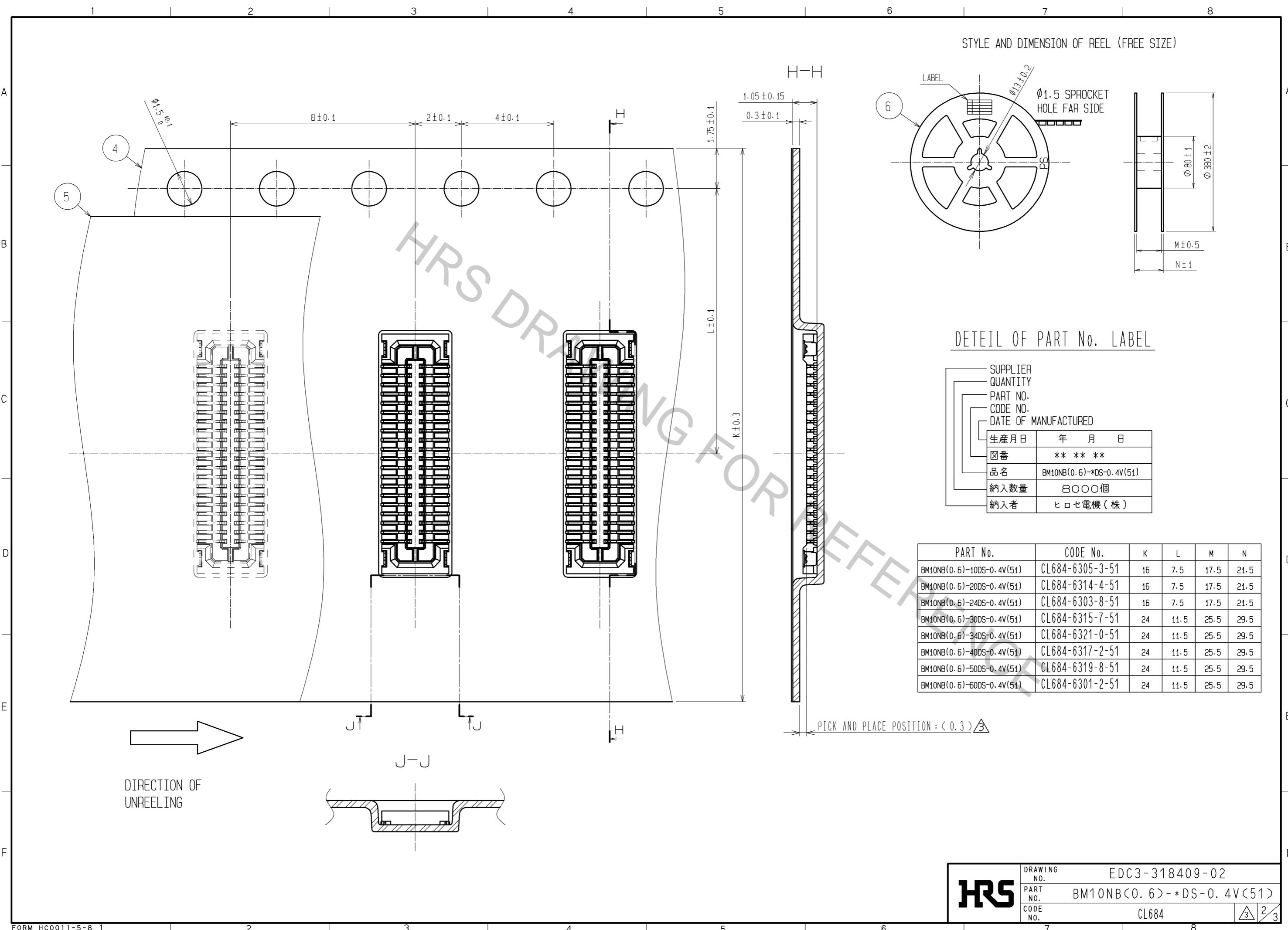


PART No.	CODE No.	B	C	D	E	F	G
BM10NB(0.6)-10DS-0.4V(51)	CL684-6305-3-51	4.40	1.6	0.8	3.1	2.18	4.02
BM10NB(0.6)-20DS-0.4V(51)	CL684-6314-4-51	6.40	3.6	1.6	5.1	4.18	6.02
BM10NB(0.6)-24DS-0.4V(51)	CL684-6303-8-51	7.20	4.4	2.0	5.9	4.98	6.82
BM10NB(0.6)-30DS-0.4V(51)	CL684-6315-7-51	8.40	5.6	2.0	7.1	6.18	8.02
BM10NB(0.6)-34DS-0.4V(51)	CL684-6321-0-51	9.20	6.4	2.4	7.9	6.98	8.82
BM10NB(0.6)-40DS-0.4V(51)	CL684-6317-2-51	10.40	7.6	2.4	9.1	8.18	10.02
BM10NB(0.6)-50DS-0.4V(51)	CL684-6319-8-51	12.40	9.6	2.8	11.1	10.18	12.02
BM10NB(0.6)-60DS-0.4V(51)	CL684-6301-2-51	14.40	11.6	3.2	13.1	12.18	14.02

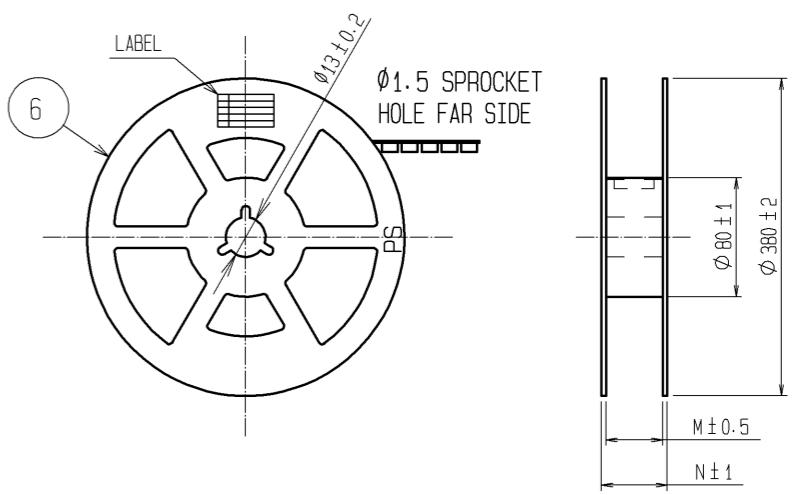
- NOTE
- ALL LEADS CO-PLANARITY SHALL BE 0.1mm MAX.
  - PER REEL:8000 CONECTORS.
  - AT THE BEGINING OF THE REEL,100mm AT MIN SHALL BE EMPTY POCKETS.  
AT THE END OF REEL,160 mm AT MIN SHALL BE EMPTY.
  - CONTACT PLATING SPECIFICATIONS.  
CONTACT AREA:GOLD 0.05μm MIN.  
SMT LEAD :GOLD 0.05μm MIN.  
UNDERPLATING :NICKEL 1μm MIN.  
(SURFACE : SEALING)
  - METAL HOLD DOWN PLATING SPECIFICATIONS.  
MOUNTING AREA:GOLD 0.05μm MIN.  
UNDERPLATING :NICKEL 1μm MIN.
  - PEEL FORCE REFERS TO JIS C 0806.
  - REFER TO PAGE3 FOR EMBOSS CASE OF LESS THAN OR EQUAL TO 20 PINS CONNECTORS.
  - CONCAVE FOR STABILIZING COPLANARITY MIGHT BE SET UP AT THE INDICATED POSITION.
  - PLEASE CONTACT US IN CASE YOU WILL MAKE DIFFERENT SETTINGS FROM OUR RECOMMENDATION.

3	PHOSPHOR BRONZE	5	6	PS	PLASTIC REEL (BLACK)		
2	PHOSPHOR BRONZE	4	5	POLYESTER	CLEAR(COVER TAPE)		
1	LCP	UL94V-0, BLACK	4	PS	CLEAR(EMBOSSED CARRIER TAPE)		
NO.	MATERIAL	FINISH, REMARKS	NO.	MATERIAL	FINISH, REMARKS		
UNITS mm		SCALE 10:1	COUNT 6	DESCRIPTION OF REVISIONS DIS-H-005435	DESIGNED KR. AJITO	CHECKED TS. MIYAZAKI	DATE 11.01.07
<b>HRS</b> HIROSE ELECTRIC CO., LTD.		APPROVED : KH. IKEDA	08.07.16	DRAWING NO. EDC3-318409-02		PART NO. BM10NB(0.6)-*DS-0.4V(51)	
		CHECKED : KY. MIDORIKAWA	08.07.16	CODE NO. CL684			
		DESIGNED : YH. MICHIDA	08.07.16				
		DRAWN : YH. MICHIDA	08.07.16				

Apr.1.2017 Copyright 2017 HIROSE ELECTRIC CO., LTD. All Rights Reserved.



STYLE AND DIMENSION OF REEL (FREE SIZE)



DETAIL OF PART No. LABEL

—	SUPPLIER
—	QUANTITY
—	PART NO.
—	CODE NO.
—	DATE OF MANUFACTURED
生産月日	年 月 日
図番	** ** *
品名	BM10NB(0.6)-*DS-0.4V(51)
納入数量	8000個
納入者	ヒロセ電機(株)

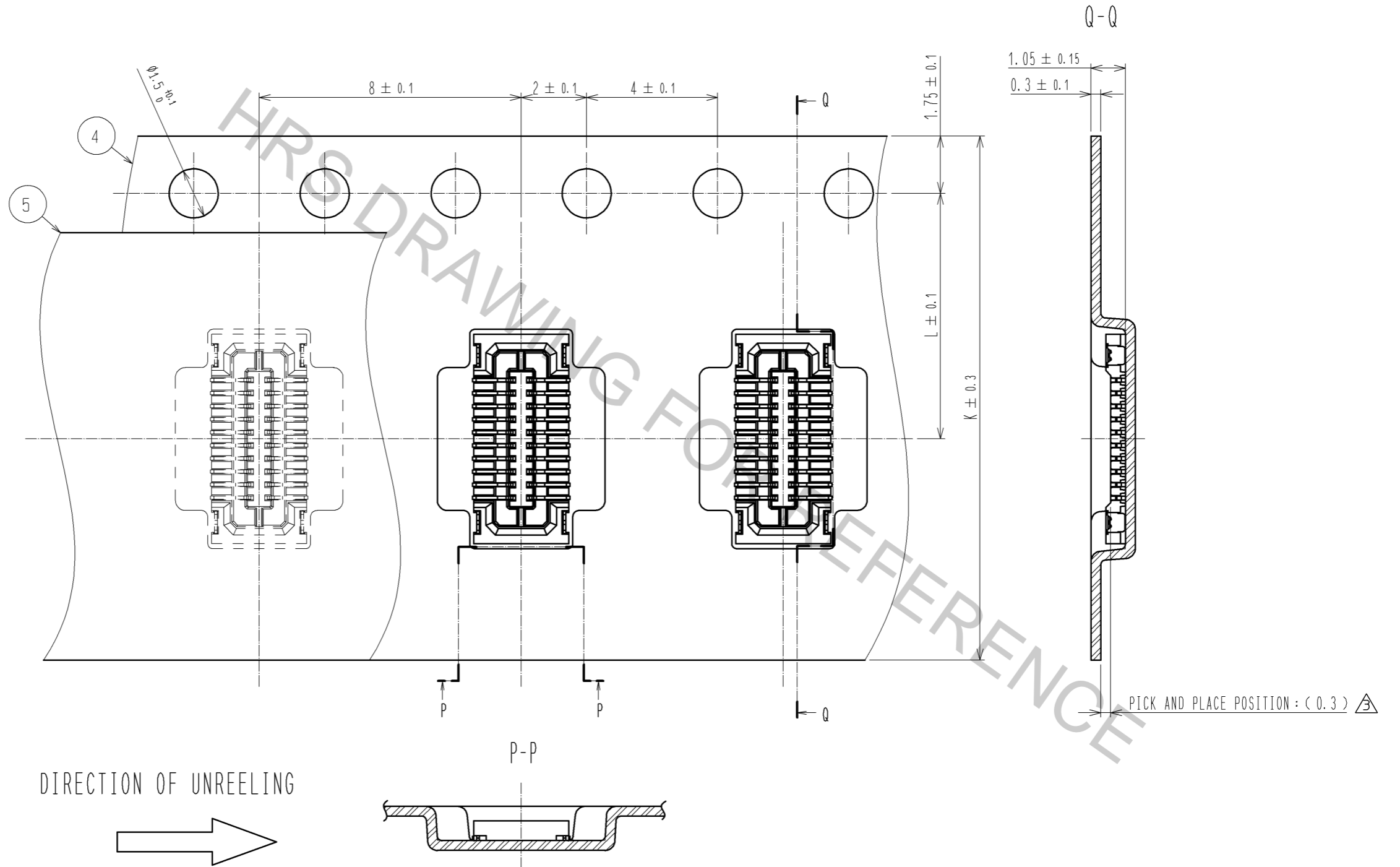
PART No.	CODE No.	K	L	M	N
BM10NB(0.6)-10DS-0.4V(51)	CL684-6305-3-51	16	7.5	17.5	21.5
BM10NB(0.6)-20DS-0.4V(51)	CL684-6314-4-51	16	7.5	17.5	21.5
BM10NB(0.6)-24DS-0.4V(51)	CL684-6303-8-51	16	7.5	17.5	21.5
BM10NB(0.6)-30DS-0.4V(51)	CL684-6315-7-51	24	11.5	25.5	29.5
BM10NB(0.6)-34DS-0.4V(51)	CL684-6321-0-51	24	11.5	25.5	29.5
BM10NB(0.6)-40DS-0.4V(51)	CL684-6317-2-51	24	11.5	25.5	29.5
BM10NB(0.6)-50DS-0.4V(51)	CL684-6319-8-51	24	11.5	25.5	29.5
BM10NB(0.6)-60DS-0.4V(51)	CL684-6301-2-51	24	11.5	25.5	29.5

PICK AND PLACE POSITION : ( 0.3 ) ± 0.1

DIRECTION OF UNREELING

<b>HRS</b>	DRAWING NO.	EDC3-318409-02		
	PART NO.	BM10NB(0.6)-*DS-0.4V(51)		
	CODE NO.	CL684	2	3

7 EMBOSS CASE OF LESS THAN OR EQUAL TO 20 PINS CONNECTORS.



<b>HRS</b>	DRAWING NO.	EDC3-318409-02
	PART NO.	BM10NB(0.6)-*DS-0.4V(51)
	CODE NO.	CL684
		$\triangle$ 3/3