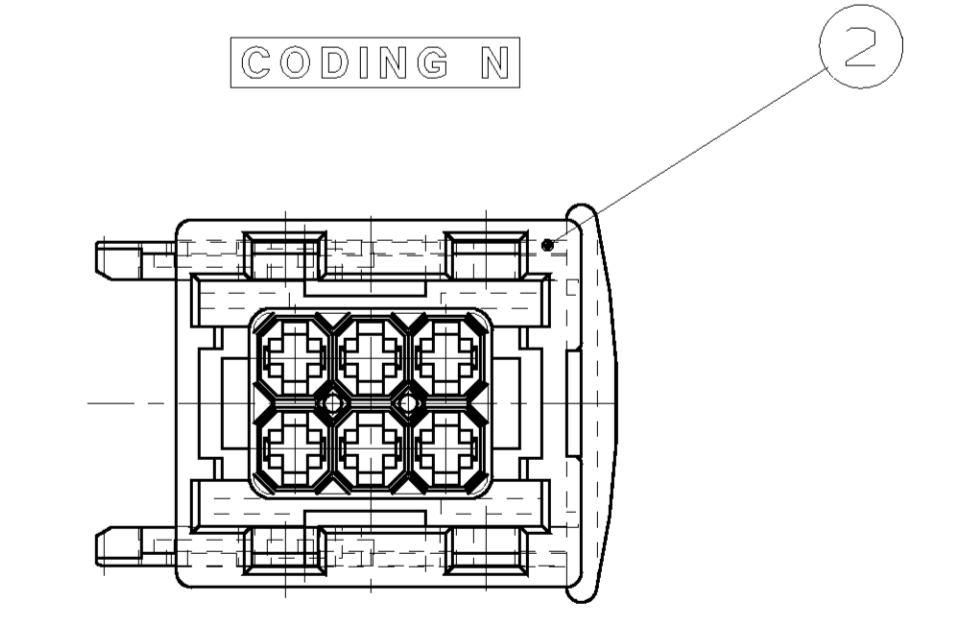
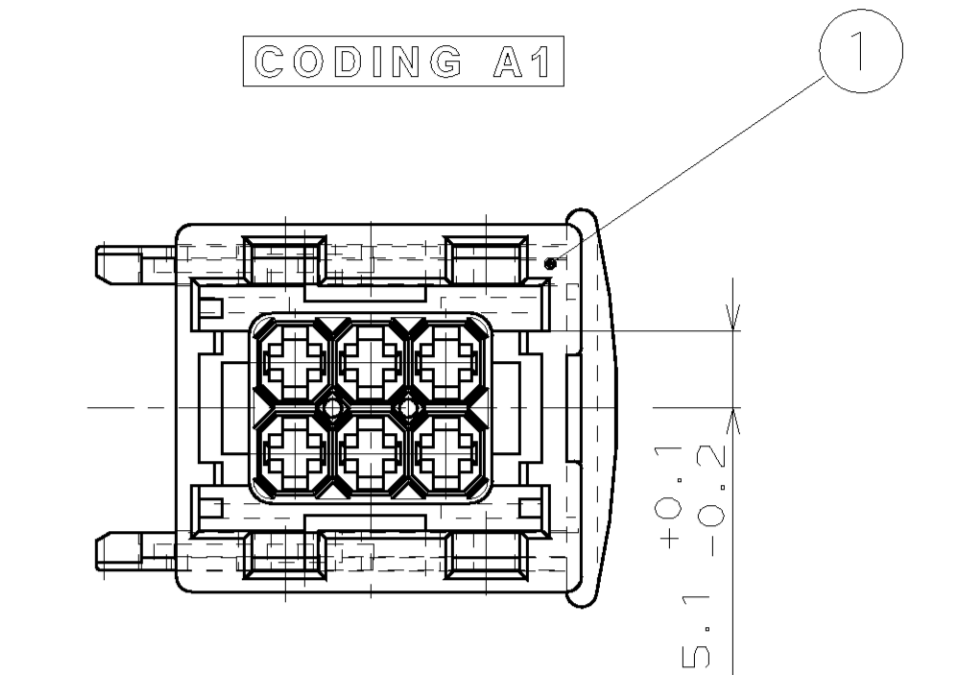
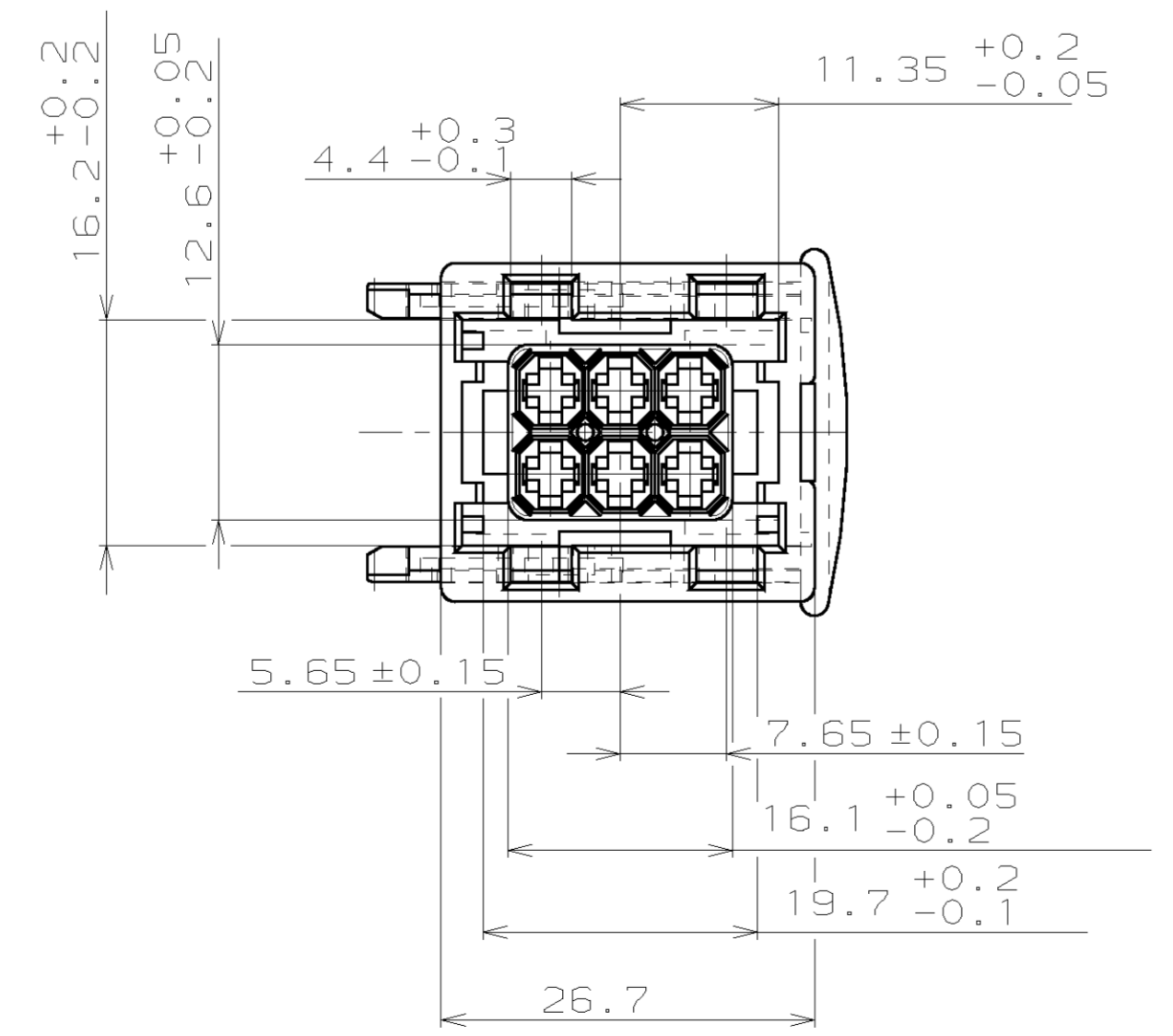
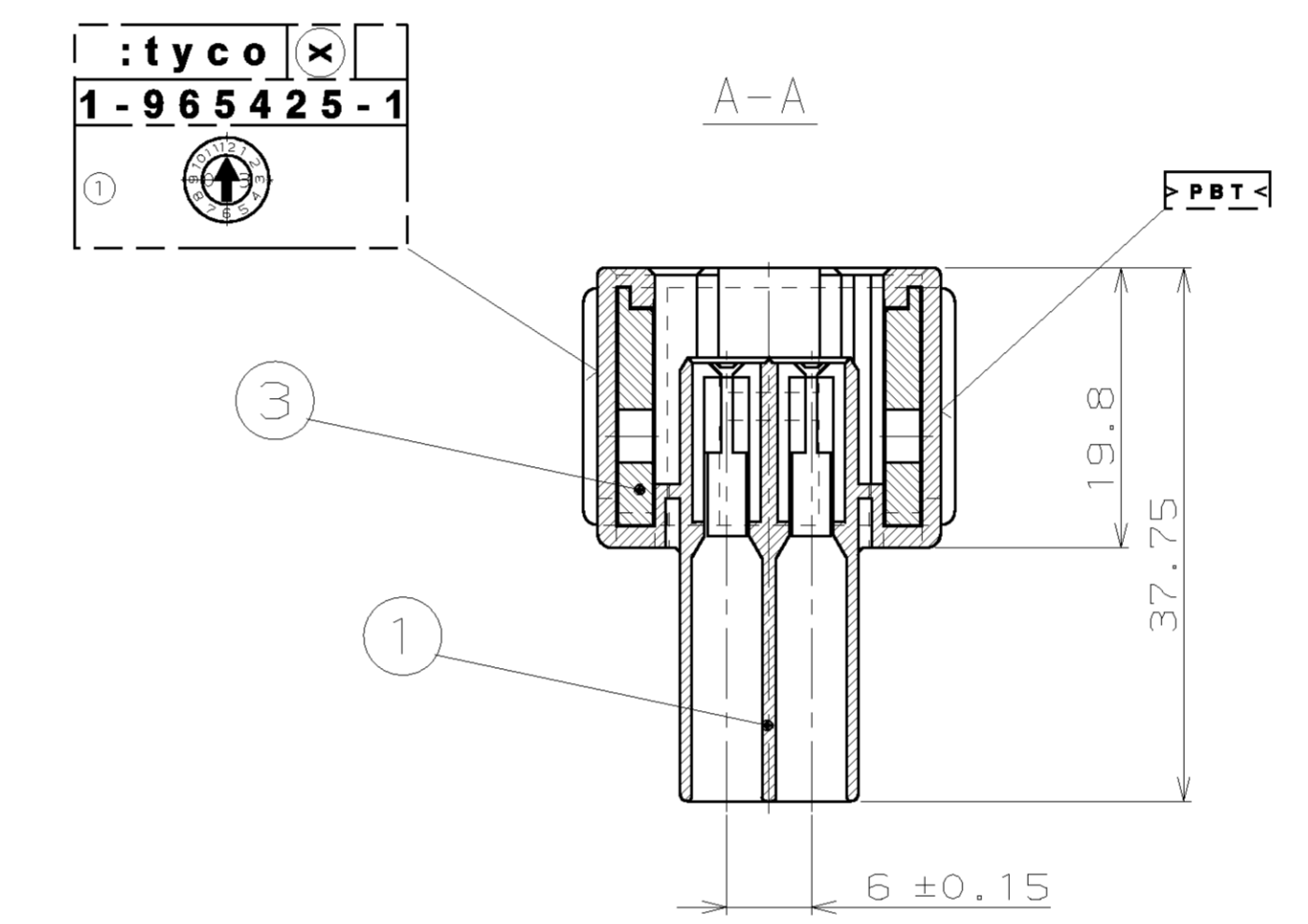
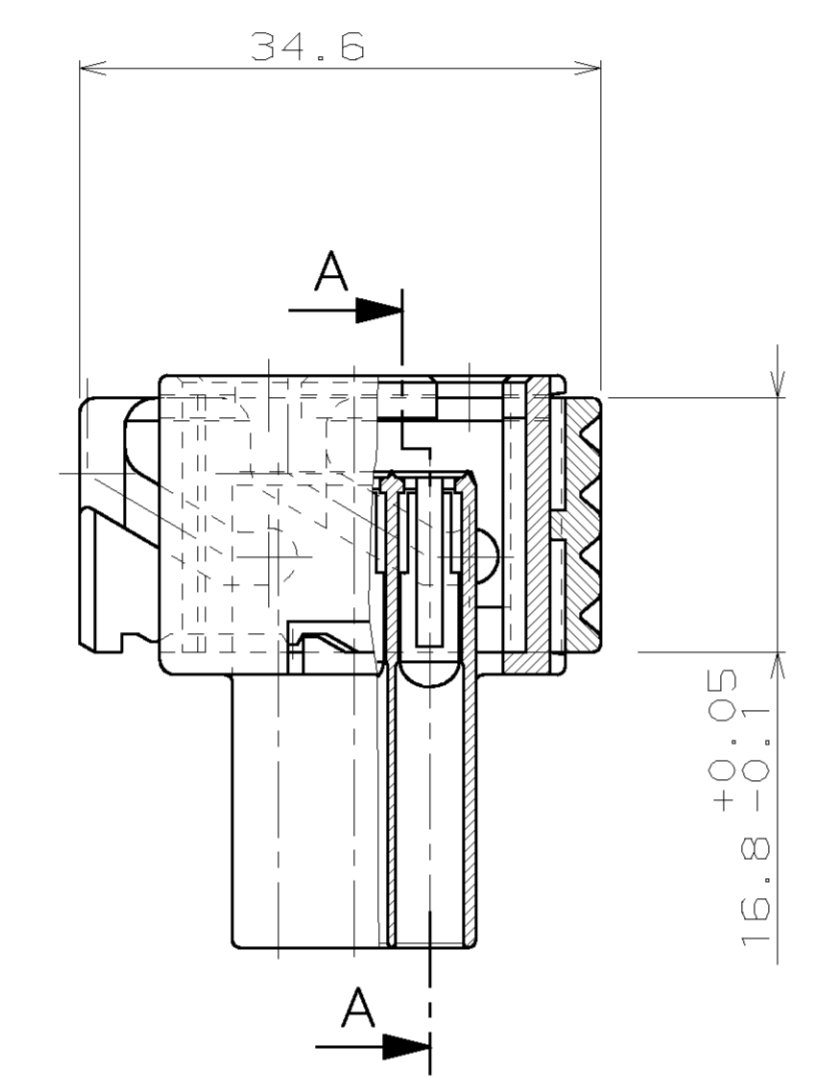
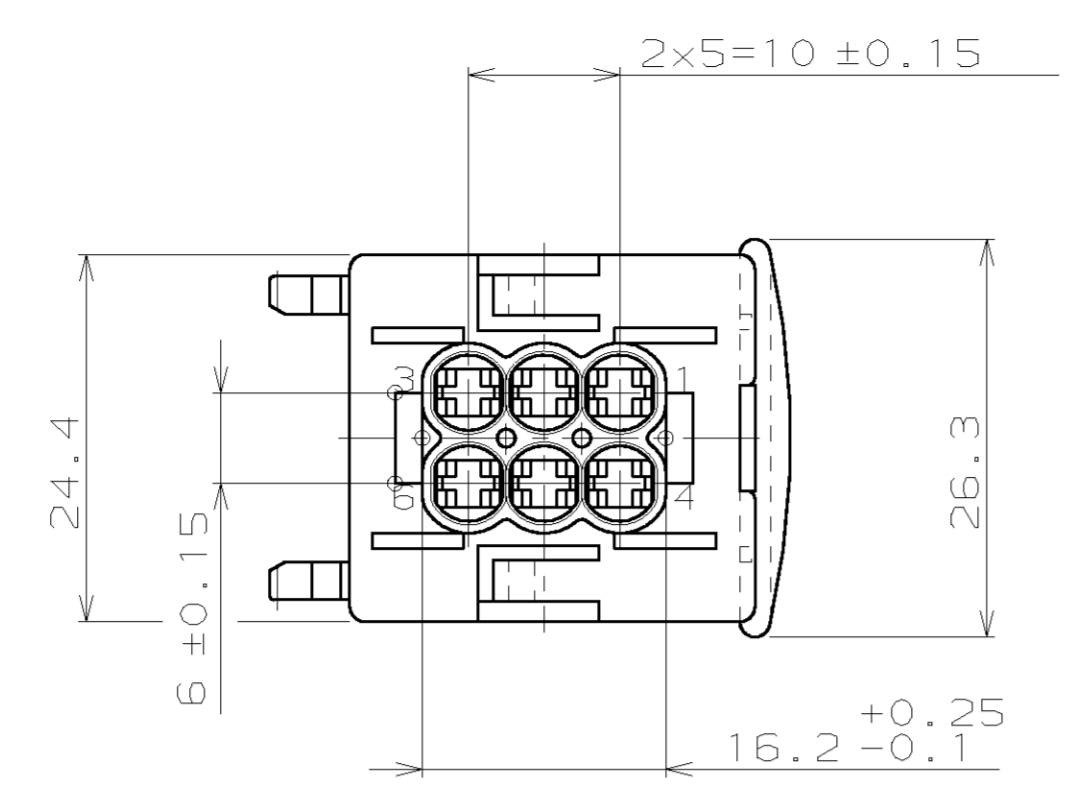


LOC	DIST	REV. NO.	DESCRIPTION	DATE	OWN	APPROV
A1	-	B	SEE PCN E600-2965-02	28MAR03	H.M.	T.K.
		B1	SEE PCN E640-1117-04-1	10MAY04	M.D.	T.K.



CUSTOMER PART NO	AMP PART NO	REV.	PCS.	MATERIAL	SURFACE COLOR	DESCRIPTION	ITEM NO
-	5-967241-1	A	1	PBT-GF30	RED	SLIDE	3
-	CODING N		1	PBT/ASA-GF30	WHITE	JPT-HOUSING, 6POS.	2
-	1-967241-1	B	1	PBT-GF30	RED	SLIDE	3
-	CODING A1		1	PBT/ASA-GF30	BLACK	JPT-HOUSING, 6POS.	1

<p>THIS DRAWING IS UNCONTROLLED DOCUMENT AND THE INFORMATION IT IS SUBJECT TO CHANGE AND THE CONTROLLING ENGINEER'S SIGNATURE SHOULD BE OBTAINED FOR THE LATEST REVISION.</p> <p>DIENST ZUFÜHRUNGSZEITUNG WIRD DANK ANGEKÜNDIGT. ANPASSUNGEN SIND IN ÜBEREINSTIMMUNG MIT DEN ANFORDERUNGEN DER ENTSCHIEDENEN AUTORISIERENDEN BEHÖRDE VORZUNEHMEN.</p> <p>FOR SPECIAL APPLICATIONS, CONTACT YOUR SUPPLIER FOR THE LATEST INFORMATION.</p>	<p>DATE: 27.09.93 DESIGNED BY: Garcia DRAWN BY: A. Machill CHECKED BY: A. Machill</p>	<p>tyco Electronics AMP GmbH D - 64625 Bensheim</p>
<p>OTHERWISE SPECIFIED DIMENSIONS: mm TOLERANCES UNLESS OTHERWISE SPECIFIED: FRACTIONAL DECIMALS ±0.13 DECIMALS ±0.13 ANGLES/DIMENSIONS ±0.13 FINISH/SURFACE COLOR/FARBEN</p>	<p>PRODUCT SPEC: 108-18102-9 APPLICATION SPEC: 114-18175 WEIGHT: --</p>	<p>JPT-Gehäuse, 6-polig JPT-HOUSING, 6POS.</p>
<p>CUSTOMER DRAWING /KUNDENZEICHNUNG</p>	<p>SIZE: A1 CAGE CODE: 00779 DRAWING NO: 967241</p>	<p>RESTRICTED TO: UNCONTROLLED DATE: 28.09.93</p>